

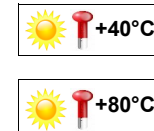
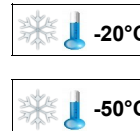


zone 1	zone 21
zone 2	zone 22



Ex e II	II2GD
Ex e [ia] IIC	II2GD

II2GD	II2GD
II2GD	II2GD



CASSETTE SICUREZZA AUMENTATA

T6

T5

T4

Ex ia IIC

II2GD

INCREASED SAFETY ENCLOSURES

T 80°C

T 100°C

T 135°C

IP66

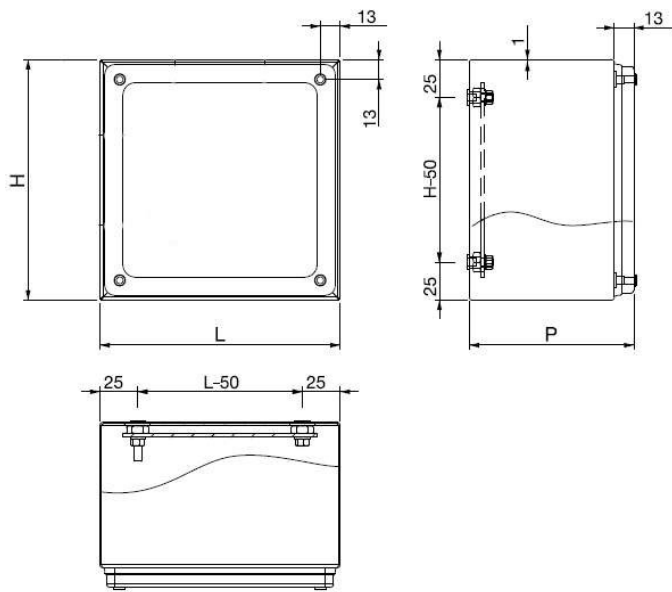


Scatole di derivazione certificate Exe IIC e/o Exia IIC
 - Realizzazioni standard AISI304 o AISI316L
 - Con piastra interna in FeZn 25/10 (S.S. a richiesta)
 - Guarnizione siliconica standard
 - Piedini di fissaggio a parete

Junction boxes certified Exe IIC or Exia IIC
 - Achievements standard STAINLESS STEEL 304 or 316L
 - With internal mounting plate FeZn 25/10 (S.S. on request)
 - Silicone gasket standard
 - Feet for mounted wall

Dimensioni contenitori ESTERNE
Boxes size EXTERNAL

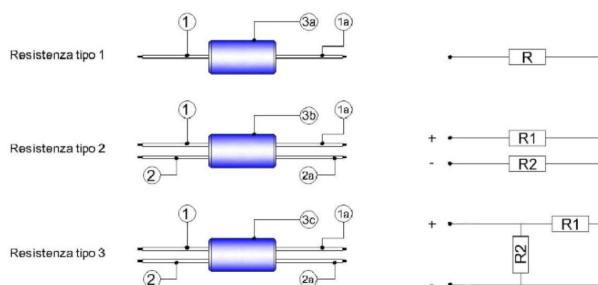
Tipo / Type	L	H	P
(GWY99)	100	100	100
(GWY149)	100	160	100
(GWY209)	100	200	100
(GWY1616)	160	160	100/130
(GWY2516)	160	250	100/130
(GWY2020)	200	200	100/130
(GWY2520)	200	250	120/150
(GWY3020)	200	300	120/150
(GWY4020)	200	400	120/150
(GWY3030)	300	300	120/150
(GWY4030)	300	400	120/150
(GWY4040)	400	400	120/150



Caratteristiche:	Custodia con guarnizione in silicone e viti di acciaio inox
Features:	Enclosure with silicon gasket and stainless steel screws
Materiali:	Acciaio inox AISI304 o 316
Materials:	Stainless steel AISI304 o 316



ESEMPIO - EXAMPLE



A RICHIESTA ON REQUEST Ex mb IIC	
(CBR) RESISTOR (CBD) DIODE SERIES or PARALLEL	
12-240V AC/DC MAX 4W (to be defined)	
CBR	CBD
CBRR	CBDD
CBDR	



Kroma mec S.r.l.

