



zone 1	zone 2	Ex de II	II2GD	-40°C	T4 (130°C)	-20°C	T6 (80°C)
zone 21	zone 22	Ex e [ia] IIC	II2(1)GD	+80°C		+40°C	
		Ex ia IIC	II2GD			-40°C	T5 (95°C)
			IP66			+60°C	

EMERGENCY PUSH BUTTON WITH GLASS PROTECTION

PULSANTE DI EMERGENZA CON VETRO DI PROTEZIONE



Caratteristiche:	<p>Pulsante d'allarme antincendio (UCS...A), protezione ATEX (Exde IIC) con martelletto per la rottura del vetro in caso di emergenza, oppure senza vetro e martelletto.</p> <p><b>Il pulsante di allarme è fornibile in sedici modi di funzionamento:</b></p> <p>1 - Automatico: (singola azione) I contatti si azionano automaticamente con la rottura del vetro.</p> <p>2 o 11 - Manuale: (doppia azione) I contatti devono essere azionati premendo il pulsante dopo la rottura del vetro.</p> <p>3 - Automatico: (doppia azione) I contatti si azionano automaticamente alzando lo sportello e con la rottura del vetro.</p> <p>4 o 12 - Manuale: (tripla azione) I contatti devono essere azionati alzando lo sportello con la rottura del vetro e premendo il pulsante.</p> <p>5 o 13 - Manuale: (singola azione) I contatti devono essere azionati premendo il pulsante (versione senza vetro).</p> <p>6 o 14 - Manuale: (doppia azione) I contatti devono essere azionati alzando lo sportello e premendo il pulsante (versione senza vetro).</p> <p>7 - Manuale: (doppia azione) I contatti devono essere azionati premendo il pulsante (push-push) dopo la rottura del vetro.</p> <p>8 - Manuale: (tripla azione) I contatti devono essere azionati alzando lo sportello con la rottura del vetro e premendo il pulsante (push-push).</p> <p>9 o 15 Manuale: (singola azione) I contatti devono essere azionati premendo il pulsante (push-push) (versione senza vetro).</p> <p>10 o 16 Manuale: (doppia azione) I contatti devono essere azionati alzando lo sportello e premendo il pulsante (push-push) (versione senza vetro).</p>
Features:	<p>Fire alarm station (UCS...A) ATEX (Exde IIC) model of protection, provided with hammer for breaking the glass in case of emergency, or without glass and hummer.</p> <p><b>The fire alarm station is available in sixteen modes of operation:</b></p> <p>1 - Automatic: (single action) The contacts are activated automatically with the breaking of the glass.</p> <p>2 or 11 - Manual: (double action) The contacts must be operated by pressing the button after breaking the glass.</p> <p>3 - Automatic: (double action) The contacts are activated automatically raising the flap and breaking of the glass.</p> <p>4 or 12 - Manual: (triple action) The contacts must be operated raising the flap breaking the glass and pressing the button.</p> <p>5 or 13 - Manual: (single action) The contacts must be operated pressing the button (version without glass).</p> <p>6 or 14 - Manual: (double action) The contacts must be operated raising the flap and pressing the button (version without glass).</p> <p>7 - Manual: (double action) The contacts must be operated by pressing the button (push-push) after breaking the glass.</p> <p>8 - Manual: (triple action) The contacts must be operated raising the flap breaking the glass and pressing the button (push-push).</p> <p>9 o 15 Manual: (single action) The contacts must be operated pressing the button (push-push) (version without glass).</p> <p>10 o 16 Manual: (double action) The contacts must be operated raising the flap and pressing the button (push-push) (version without glass).</p>

Specifica tecnica Technical specification	
Materiale Material	Aluminium Alloy LM6
Dimensioni Dimension	110x110x85mm Altre dimensioni a richiesta Other dimension on request
Colore Color	Rosso (altri a richiesta) Red (other on request)
Temperatura Temperature	-20°C (-40°C) +40°C (+60°C) (+80°C)

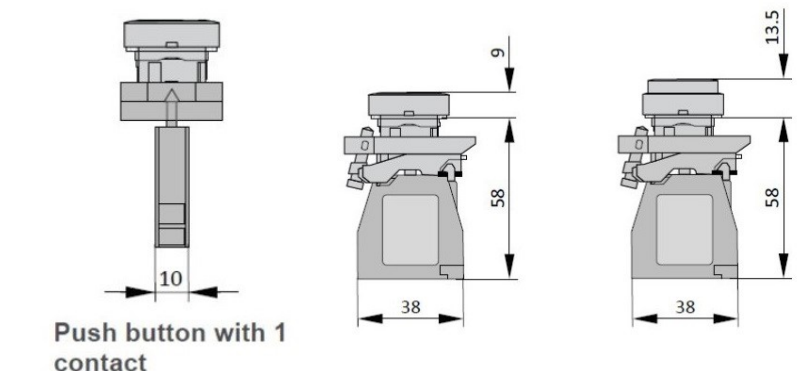
Spring return, flush actuator	Spring return, projecting actuator	"Push-button" illuminated	<b>COLORI DISPONIBILI COLOR AVAILABLE</b>  BIANCO - WHITE NERO - BLACK VERDE - GREEN ROSSO - RED GIALLO - YELLOW BLU - BLUE
"Push-push" to release, flush actuator	"Push-push" to release, projecting actuator		

Imbocchi Cable entries	1 gland M20 or M25 on request: 2 gland M20 or M25
---------------------------	---



**Features of the Contact 10 A  
Caratteristiche dei contatti 10 A**

Ith = 10 A; Ui = 415 V  
AC  
Ue = 380 V; Ie = 1,9 A or  
Ue = 240 V; Ie = 3 A or  
Ue = 120 V; Ie = 6 A  
DC  
Ue = 250 V; Ie = 0,27 A or  
Ue = 125 V; Ie = 0,55 A or  
Ue = 24 V; Ie = 2,87 A



**ALTRE ESECUZIONI SPECIALI A RICHIESTA  
OTHER SPECIAL EXECUTION ON REQUEST**

**1**  
Contatti automatici  
singola azione  
*Automatic contact  
single action*  
**CON VETRO  
WITH GLASS**

UCS-11A	1 NO
UCS-12A	1 NC
UCS-15A	1 NC + 1 NO
UCS-17A	2 NC
UCS-19A	2 NO
UCS-301A	1 NO + 2 NC
UCS-311A	1 NC + 2 NO
UCS-321A	3 NC
UCS-331A	3 NO

**2**  
Contatti manuali  
Doppia azione  
*Manual contact  
Double action*  
**CON VETRO  
WITH GLASS**

UCS-21A	1 NO
UCS-22A	1 NC
UCS-25A	1 NC + 1 NO
UCS-27A	2 NC
UCS-29A	2 NO
UCS-302A	1 NO + 2 NC
UCS-312A	1 NC + 2 NO
UCS-322A	3 NC
UCS-332A	3 NO

**3**  
Contatti automatici  
Doppia azione (LIFT FLAP)  
*Automatic contact  
Double action (LIFT FLAP)*  
**CON VETRO  
WITH GLASS**

UCS-31A	1 NO
UCS-32A	1 NC
UCS-35A	1 NC + 1 NO
UCS-37A	2 NC
UCS-39A	2 NO
UCS-303A	1 NO + 2 NC
UCS-313A	1 NC + 2 NO
UCS-323A	3 NC
UCS-333A	3 NO

**4**  
Contatti manuali  
Tripla azione (LIFT FLAP)  
*Manual contact  
Triple action (LIFT FLAP)*  
**CON VETRO  
WITH GLASS**

UCS-41A	1 NO
UCS-42A	1 NC
UCS-45A	1 NC + 1 NO
UCS-47A	2 NC
UCS-49A	2 NO
UCS-304A	1 NO + 2 NC
UCS-314A	1 NC + 2 NO
UCS-324A	3 NC
UCS-334A	3 NO

**5**  
Contatti manuali  
Singola azione  
*Manual contact  
Single action*  
**SENZA VETRO  
WITHOUT GLASS**

UCS-51A	1 NO
UCS-52A	1 NC
UCS-55A	1 NC + 1 NO
UCS-57A	2 NC
UCS-59A	2 NO
UCS-305A	1 NO + 2 NC
UCS-315A	1 NC + 2 NO
UCS-325A	3 NC
UCS-335A	3 NO

**6**  
Contatti manuali  
Doppia azione (LIFT FLAP)  
*Manual contact  
Double action (LIFT FLAP)*  
**SENZA VETRO  
WITHOUT GLASS**

UCS-61A	1 NO
UCS-62A	1 NC
UCS-65A	1 NC + 1 NO
UCS-67A	2 NC
UCS-69A	2 NO
UCS-306A	1 NO + 2 NC
UCS-316A	1 NC + 2 NO
UCS-326A	3 NC
UCS-336A	3 NO

**7**  
Contatti manuali  
Doppia azione  
*Manual contact  
Double action*  
**CON VETRO  
WITH GLASS**  
pulsante (push-push)  
button (push-push)

UCS-71A	1 NO
UCS-72A	1 NC
UCS-75A	1 NC + 1 NO
UCS-77A	2 NC
UCS-79A	2 NO
UCS-307A	1 NO + 2 NC
UCS-317A	1 NC + 2 NO
UCS-327A	3 NC
UCS-337A	3 NO

**8**  
Contatti manuali  
Tripla azione (LIFT FLAP)  
*Manual contact  
Triple action (LIFT FLAP)*  
**CON VETRO  
WITH GLASS**  
pulsante (push-push)  
button (push-push)

UCS-81A	1 NO
UCS-82A	1 NC
UCS-85A	1 NC + 1 NO
UCS-87A	2 NC
UCS-89A	2 NO
UCS-308A	1 NO + 2 NC
UCS-318A	1 NC + 2 NO
UCS-328A	3 NC
UCS-338A	3 NO

**9**  
Contatti manuali  
Singola azione  
*Manual contact  
Single action*  
**SENZA VETRO  
WITHOUT GLASS**  
pulsante (push-push)  
button (push-push)

UCS-91A	1 NO
UCS-92A	1 NC
UCS-95A	1 NC + 1 NO
UCS-97A	2 NC
UCS-99A	2 NO
UCS-309A	1 NO + 2 NC
UCS-319A	1 NC + 2 NO
UCS-329A	3 NC
UCS-339A	3 NO

**10**  
Contatti manuali  
Doppia azione (LIFT FLAP)  
*Manual contact  
Double action (LIFT FLAP)*  
**SENZA VETRO  
WITHOUT GLASS**  
pulsante (push-push)  
button (push-push)

UCS-101A	1 NO
UCS-102A	1 NC
UCS-105A	1 NC + 1 NO
UCS-107A	2 NC
UCS-109A	2 NO
UCS-4010A	1 NO + 2 NC
UCS-4110A	1 NC + 2 NO
UCS-4210A	3 NC
UCS-4310A	3 NO

**11**  
Contatti manuali  
Doppia azione  
*Manual contact  
Double action*  
**CON VETRO  
WITH GLASS**  
Pulsante illuminato a led  
Led illuminated Push button

UCS-111A	1 NO
UCS-112A	1 NC
UCS-115A	1 NC + 1 NO
UCS-117A	2 NC
UCS-119A	2 NO

**12**  
Contatti manuali  
Tripla azione (LIFT FLAP)  
*Manual contact  
Triple action (LIFT FLAP)*  
**CON VETRO  
WITH GLASS**  
Pulsante illuminato a led  
Led illuminated Push button

UCS-121A	1 NO
UCS-122A	1 NC
UCS-125A	1 NC + 1 NO
UCS-127A	2 NC
UCS-129A	2 NO

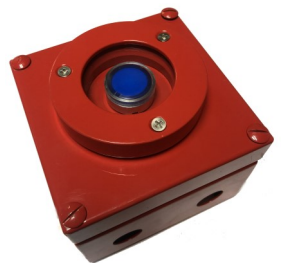
**13**  
Contatti manuali  
Singola azione  
*Manual contact  
Single action*  
**SENZA VETRO  
WITHOUT GLASS**  
Pulsante illuminato a led  
Led illuminated Push button

UCS-131A	1 NO
UCS-132A	1 NC
UCS-135A	1 NC + 1 NO
UCS-137A	2 NC
UCS-139A	2 NO

**14**  
Contatti manuali  
Doppia azione (LIFT FLAP)  
*Manual contact  
Double action (LIFT FLAP)*  
**SENZA VETRO  
WITHOUT GLASS**  
Pulsante illuminato a led  
Led illuminated Push button

UCS-141A	1 NO
UCS-142A	1 NC
UCS-145A	1 NC + 1 NO
UCS-147A	2 NC
UCS-149A	2 NO

**ILLUMINATED BUTTONS**



**15**  
Contatti manuali Singola azione  
*Manual contact Single action*  
**SENZA VETRO  
WITHOUT GLASS**  
pulsante (push-push) projecting  
button (push-push) projecting

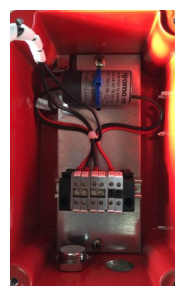
UCS-151A	1NO	UCS-4015A	1NO+2NC
UCS-152A	1NC	UCS-4115A	1NC+2NO
UCS-155A	3NC	UCS-4215A	1NC+1NO
UCS-157A	2NC	UCS-4315A	3NO
UCS-159A	2NO		

**16**  
Contatti manuali Doppia azione (LIFT FLAP)  
*Manual contact Double action (LIFT FLAP)*  
**SENZA VETRO  
WITHOUT GLASS**  
pulsante (push-push) projecting  
button (push-push) projecting

UCS-161A	1NO	UCS-4016A	1NO+2NC
UCS-162A	1NC	UCS-4116A	1NC+2NO
UCS-165A	3NC	UCS-4216A	1NC+1NO
UCS-167A	2NC	UCS-4316A	3NO
UCS-169A	2NO		

**ALTRE ESECUZIONI SPECIALI A RICHIESTA  
OTHER SPECIAL EXECUTION ON REQUEST**

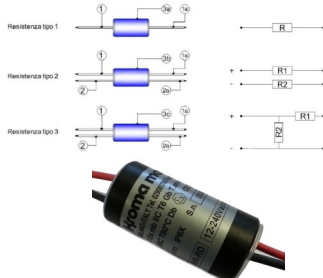
**ESEMPIO - EXAMPLE**  
Dimensione alternativa (170x110x83)  
con LED e/o EOL e/o MORSETTIERA e/o SUNSHADE  
Alternative dimension (170x110x83)  
with LED and/or EOL and/or TERMINAL and or SUNSHADE



**LED PILOT LIGHT**

**LED LIGHTS**  
24V to 254 V AC/DC  
2 to 10 mA

(W) WHITE	(G) GREEN
(R) RED	(Y) YELLOW
(B) BLUE	



**LED LIGHT**  
**EOL  
(CBR) RESISTOR  
(CBD) DIODE  
SERIES or PARALLEL**  
12—240V AC/DC  
MAX 4W (to be defined)

SUNSHADE

EOL  
RESISTOR

