



**SKYTRAK**

**SKYTRAK<sup>®</sup>**

Telehandlers

**JLG<sup>®</sup>**  
*reachingout<sup>®</sup>*

SKYTRAK® TELEHANDLERS  
**REACHING OUT**

**SKYTRAK IS THE NUMBER ONE  
SELLING BRAND IN NORTH AMERICA**

SkyTrak® telehandlers are hard-working machines for hard-working people. Redesigned to enhance comfort and productivity, these machines deliver what you need, when you need it. They're the industry's workhorse. It's really that simple.

They offer the maneuverability and stability to handle the toughest terrain. With improved boom function speeds, an integrated tow hitch, a single joystick for greater multifunction capability and a host of other performance-boosting features.

Check out all five models—with capacities up to 10,000 lb, lift heights of up to 54 ft and lower total operating costs than the competition.

Step inside and see how these machines live up to their reputation.



*"When I show up on the job site,  
I can trust that the SkyTrak  
is ready to work."*





**Added Versatility**

An integrated tow hitch on the rear counterweight provides added job site versatility.



**Simple Controls**

Easy-to-use controls allow for greater operator comfort and proficiency.

## MACHINES THAT RISE TO THE OCCASION

With years of proven field performance, our industry-leading SkyTrak® telehandlers are manufactured and designed to the highest standards of quality. Built to take a beating, SkyTrak will help you take your productivity higher than ever.



*"This is one tough machine.  
That's what I love about it."*

### JOB SITE PROVEN

From capacity, boom speed and accuracy to steering, drive performance and durability, our commitment to engineering and testing means that our telehandlers hit your job site ready to work.



### Firestone Tires

Firestone DuraForce MH tires lower your cost of ownership because they are less susceptible to sidewall damage and last up to three times longer than Firestone SGG telehandler tires.



### Testing Facility

Our modern test facility ensures that our telehandlers provide you with high performance when you need it most.

*“Thanks to the Stabil-Trak system, I’ve never felt more confident placing loads.”*



**Fine Boom Control**

Place loads at height with confidence.



**Reverse Sensing System**

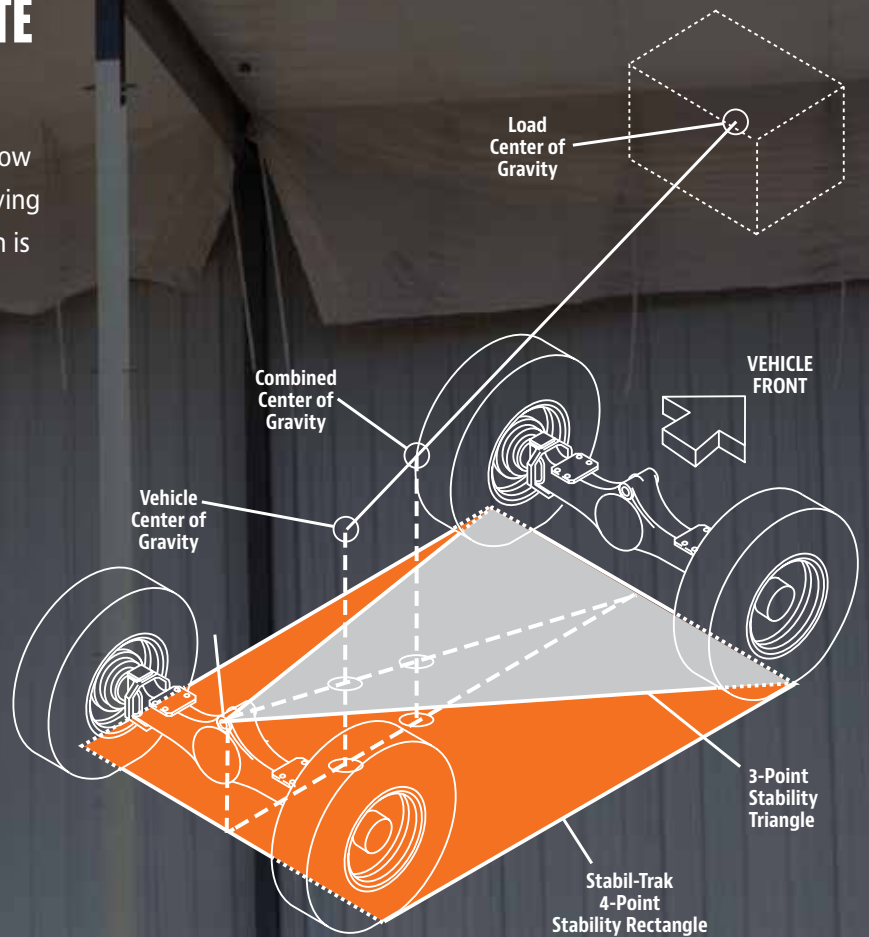
This optional system alerts operators of rear obstructions.

## TAKE COMMAND OF THE JOB SITE

Every job site is different, which means you need to depend on your machine to handle anything you throw its way. Whether it's navigating rough terrain or moving heavy materials more efficiently. Our new cab design is easy to use and gives you excellent field of vision.

### REAL STABILITY, REAL CONFIDENCE

Our Stabil-Trak rear axle stabilization system increases confidence when handling loads. Stabil-Trak provides fully automatic, rear axle stabilization by automatically transferring from a 3-point to a 4-point stance for increased stability. The system operates in free pivot, final positioning and locked modes. With the power of Stabil-Trak on your side, you'll notice a higher level of operator confidence and boosted performance. In addition to the Stabil-Trak system, axle mounted outriggers allow frame leveling without changing stance.



### Three Steering Modes

Two-wheel, four-wheel and crab steering can be changed as needed for better maneuverability.



### Robust Drivetrain

Four-speed modulated transmission and high-performance axles increase agility.



### Redesigned Display

Easy-to-read gauges on the redesigned dashboard let you know the exact condition of the machine.



### Intuitive Joystick

A single joystick for lift, telescope and fork tilt functions allows operators to place loads with ease.





## REDESIGNED FOR COMFORT AND PRODUCTIVITY

Days on the job site can be long. Especially when you're sitting for hours in the cab getting your work done. That's why we've redesigned the cab with you in mind—because we know a more comfortable operator is a more productive operator. When you step inside, in addition to the standard adjustable suspension seat, you'll find an integrated arm rest and single multifunction joystick to help reduce fatigue. Optional air conditioning keeps you cool during warmer months while the reengineered dash panel display contributes to greater productivity. As for visibility—you've got a clear view of everything going on around you. So get ready to settle in for a full day's work.



### Optional Air Conditioning

Stay cool on hot days and work in air conditioned comfort.



### Integrated Arm Rest

Reduces operator fatigue and allows for finite joystick movements when required.



## EASY ACCESS FOR EASY MAINTENANCE

As the saying goes, "There's no time for downtime." We get that. Which is why we've reengineered our telehandlers so technicians can access engine parts and other serviceable components more quickly to keep you running at peak performance. SkyTrak telehandlers are built to last—and that's a promise you can count on.

SkyTrak® is known for having lower total operating costs and higher resale values than other brands. Sealed bearings, conveniently located components and a rear-mounted engine help to keep your equipment on the job and out of the shop.



### Easy Access

Components are easily accessible for service and maintenance.



### Remote Diagnostics

Quickly and easily troubleshoot equipment from up to 150 ft away.

## HARDWORKING TELEHANDLERS FOR A HARD DAY'S WORK

Whether you're placing squares of roofing, moving pallets of block or transporting stacks of drywall, SkyTrak® delivers the power you need to handle the toughest job sites. A combination of the Tier 4 Final Cummins engine, a four-speed modulated transmission and high-performance axles gives you the power you need for increased productivity and mobility.



### TURNING CORNERS ON PERFORMANCE

With up to 18 inches of ground clearance, you have more room to travel over rough terrain. A tight turning radius and three steering modes make navigating tight areas and handling rough terrain a simple task.



#### Fuel-Efficient Tier 4 Final Engine

Achieves a greater level of fuel efficiency with less environmental impact.



#### Turning Radius

A tight turning radius helps you get around on crowded job sites.



### Standard Carriage

Forks that are fully floating and adjustable side-to-side for efficient load entry and exit.



### Side-Tilt Carriage

Allows for minor lateral positioning of the load during final placement.



### Swing Carriage

Allows for greater versatility in moving and placing materials in confined areas or when exact positioning is required.



### Dual Fork Positioning Carriage

Provides the ability to adjust the position of each fork independently, allowing the operator to handle a variety of palletized loads without having to leave the cab.



### Pallet Forks

Rugged design makes it easier to handle heavy palletized material.



### Lumber Forks

Wider width provides a larger surface area for stability when transporting longer material.



### Cubing Forks

Allows operator to load, unload and place cubes of brick and block with ease.



### Material Bucket

Clean up the job site, spread gravel or for loading and leveling.



### Material Handling Arm

Designed for lifting and placing objects around the job site, the material handling arm is ideal for building construction and civil engineering applications.



### Grapple Bucket

Features a hydraulic grapple arm to assist in job site cleanup.



### Side-Shift Carriage

Four-inch left and right carriage shift allows for precision load placement.



### Truss Boom

Allows operator to set trusses and wall sections for wood and steel building construction. Available with or without winch.



### Fork-Mounted Work Platform

Extend the capabilities of your telehandler and get more work done by lifting material and persons to working heights.



### Lifting Hook

Add versatility to any standard carriage by lifting and lowering objects without changing attachments.



### Fork Extensions

Fork extensions provide additional support to lift large or long objects. They are made with heavy duty steel and a pin is used to secure them to the existing telehandler forks.

### Pipe Grapple

For handling multiple pipes or a larger single pipe.

### Trash Hopper

For collecting trash on the job site, with automatic opening and self-closing.



Enclosed Cab



Fenders



Rotating Beacon



A/C



Reverse Sensing System



Road and Work Lights



Work Lights





## PUTTING YOUR WORK ABOVE EVERYTHING

When it comes to JLG® Ground Support, it's all about you. Your productivity. Your profitability. Your uptime. From the purchase of your first piece of equipment straight through to the training, parts and maintenance that follow.



### ■ Customer Service Call Center

You can be assured we'll be giving an all-out effort to support you. Just think of us as your personal on-call, full-service support team. We make it happen. Period.

### ■ Financial Solutions

Maximizing your profits. Preserving your cash flow. Let our financing specialists help choose the program designed specifically for your needs.

### ■ Aftermarket Parts

Keep your equipment running at peak performance with genuine replacement parts, accessories, attachments, rebuilt and competitive parts all from one source — JLG.

### ■ Training

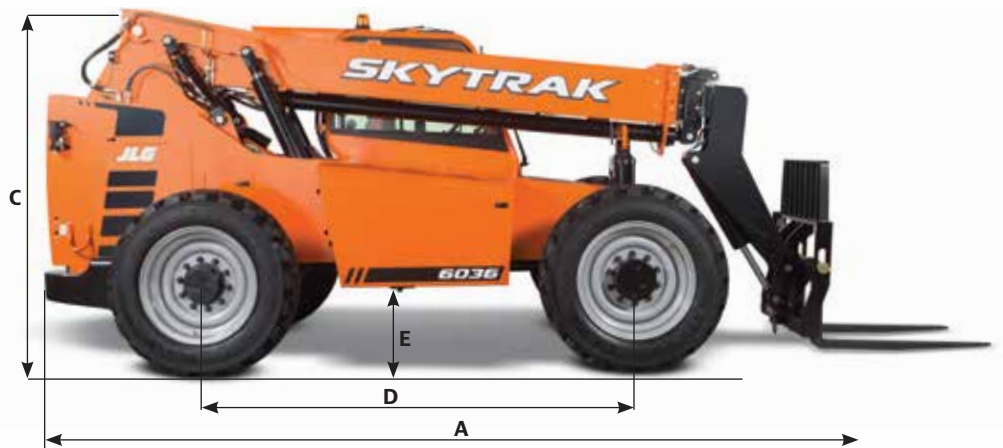
Knowing your equipment inside and out results in higher productivity on the job. Our instructor-led courses give you the hands-on time you need for success.

### ■ Service Centers

Your needs. Your uptime. JLG is on the job to fulfill your every need, from repair, reconditioning, same-day parts and much more. We're here to support you.

	<b>6036</b>	<b>6042</b>	<b>8042</b>	<b>10042</b>	<b>10054</b>
Rated Capacity @ 24 in. (610 mm) Load Center	6,000 lb (2,722 kg)	6,000 lb (2,722 kg)	8,000 lb (3,629 kg)	10,000 lb (4,536 kg)	10,000 lb (4,536 kg)
Maximum Lift Height	36 ft 1 in. (11.0 m)	41 ft 11 in. (12.78 m)	41 ft 11 in. (12.78 m)	42 ft 1 in. (12.83 m)	53 ft 2 in. (16.21 m)
Capacity @ Maximum Lift Height	6,000 lb (2,722 kg)	6,000 lb (2,722 kg)	6,000 lb (2,722 kg)	*6,000 lb (2,722 kg)	*4,000 lb (1,814 kg)
Maximum Reach	22 ft 4 in. (6.81 m)	27 ft 11 in. (8.51 m)	26 ft 7 in. (8.1 m)	26 ft 7 in. (8.1 m)	*38 ft 9 in. (11.81 m)
Capacity @ Maximum Reach	1,800 lb (816 kg)	1,400 lb (635 kg)	2,200 lb (998 kg)	6,000 lb (2,722 kg)	3,000 lb (1,361 kg)
Approximate Operating Weight (with Carriage and Forks)	21,300 lb (9,662 kg)	25,100 lb (11,385 kg)	27,100 lb (12,292 kg)	27,300 lb (12,383 kg)	28,200 lb (12,791 kg)
A. Length (Less Forks)	224 in. (5.7 m)	234 in. (5.9 m)	228 in. (5.8 m)	248 in. (6.3 m)	252 in. (6.4 m)
B. Width	99 in. (2.51 m)	99 in. (2.51 m)	99.2 in. (2.5 m)	102 in. (2.59 m)	102 in. (2.59 m)
C. Height	100 in. (2.54 m)	102 in. (2.59 m)	99.4 in. (2.52 m)	100.1 in. (2.54 m)	101.1 in. (2.57 m)
D. Wheelbase	113 in. (2.87 m)	113 in. (2.87 m)	119.5 in. (3.04 m)	119.5 in. (3.04 m)	119.5 in. (3.04 m)
E. Ground Clearance	15 in. (381 mm)	15 in. (381 mm)	18 in. (460 mm)	18 in. (460 mm)	18 in. (460 mm)
Outside Turning Radius	13 ft 9 in. (4.19 m)	14 ft (4.27 m)	13 ft (3.96 m)	14 ft 2 in. (4.32 m)	13 ft 9 in. (4.19 m)
Drive	4 x 4	4 x 4	4 x 4	4 x 4	4 x 4
Engine	Cummins QSF3.8L	Cummins QSF3.8L	Cummins QSF3.8L	Cummins QSF3.8L	Cummins QSF3.8L
HP @ RPM	85 hp @ 2,600 rpm	85 hp @ 2,600 rpm	110 hp @ 2,600 rpm	110 hp @ 2,600 rpm	110 hp @ 2,600 rpm
Transmission	Powershift	Powershift	Powershift	Powershift	Powershift
Axle — Front	High-Bias, Limited Slip	High-Bias, Limited Slip	High-Bias, Limited Slip	High-Bias, Limited Slip	High-Bias, Limited Slip
Axle — Rear	Planetary	Planetary	Planetary	Planetary	Planetary
Steering	All-Wheel	All-Wheel	All-Wheel	All-Wheel	All-Wheel
Tires	370/75-28	370/75-28	370/75-28	400/75-28	400/75-28
Maximum Travel Speed	19 mph (31 kmph)	19 mph (31 kmph)	19 mph (31 kmph)	20 mph (32 kmph)	20 mph (32 kmph)
Frame Tilt Left/Right Frame Leveling	±10 Degrees	±10 Degrees	±10 Degrees	±10 Degrees	±10 Degrees

\*With outriggers down.



For complete specifications, visit [www.jlg.com](http://www.jlg.com)

Due to continuous product improvements, JLG Industries reserves the right to make specification and/or equipment changes without prior notification. These machines meet or exceed ASME B56.6-2005 as originally manufactured for intended applications.

**JLG Industries, Inc.**

1 JLG Drive  
McConnellsburg, PA 17233-9533  
Telephone 717-485-5161  
Toll-free in US 877-JLG-LIFT  
Fax 717-485-6417

**[www.jlg.com](http://www.jlg.com)**

**An Oshkosh Corporation Company**

Part No.: 3131569  
R021508  
Printed in USA

