

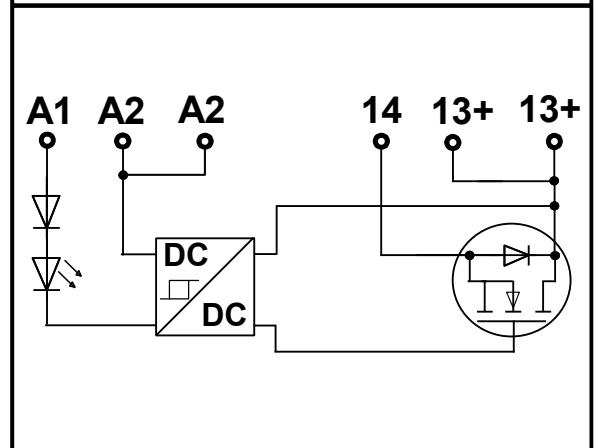
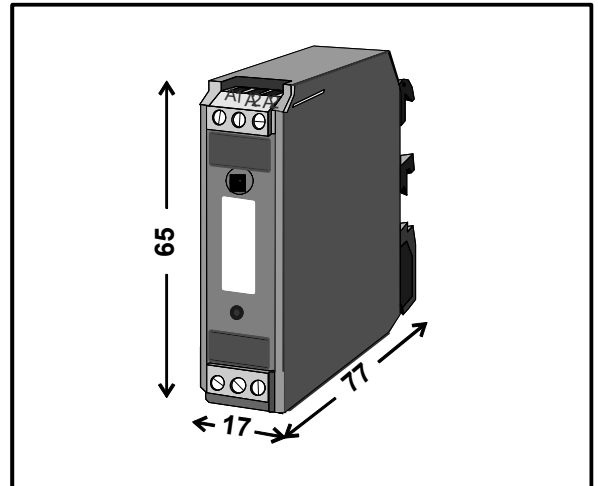
KALEJA GmbH
D-73553 Alfdorf

Electronic load relay DC in modular technology

freely connectable electronic output contact
as NO contact
for switching currents up to 10A
optimized for inductive loads

To snap onto DIN rail EN 50022
and EN 50035

Construction width: 17mm



Short designation / type	rated voltage: 24V Midi-OM-100-30
Art.- No.	02.02.403
Technical data: input circuit	
Rated voltage	24VDC
Range of rated voltage min. / max.	18VDC - 35VDC
Input current at rated voltage	5 mA
Input circuit	inverse-polarity protection
Status indicator	LED 3mm yellow
Technical data: output circuit	
MOS-FET output stage	
Range of switching voltage	5VDC - 35VDC
Max. permanent load current	10A
Leakage current @ $U_{in} = 0V$	< 200 μ A
Impulse current	50A
On time / off time	< 4ms / < 5ms
Output circuit	2 conductor technology
Other data:	
Ambient temperature range	-20°C - +40°C
function isolation input / output circuit	100V
Absence of vibration a/r (10...500Hz)	> 20 / 5
Overload protection / short-circuit-proof / temp. monitoring	no / no / no
Position of installation / mounting	can be snapped, addable
Mode of connection: screw terminal	single wire 4mm ² , fine wire 2,5mm ²
Dimensions: W x D x H	17mm x 65mm x 77mm