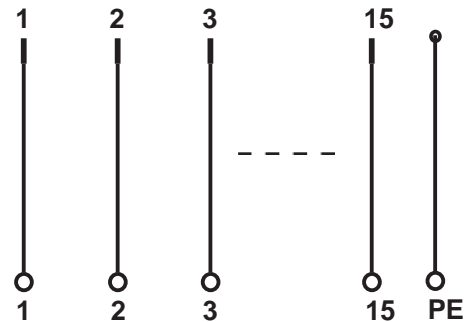
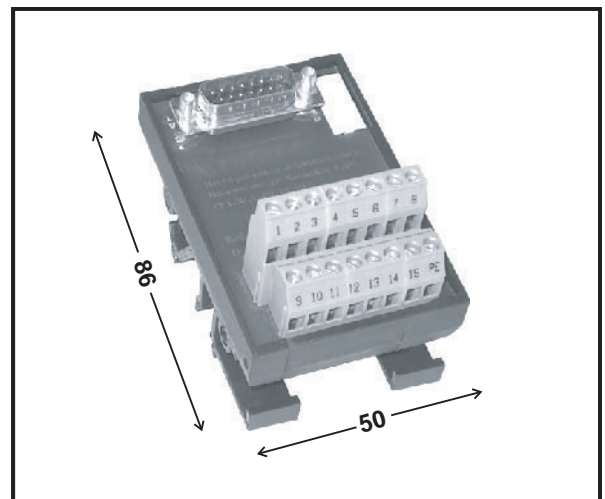


Transfer module for SUB-D- pin contact 15-pin

to snap onto DIN - rail EN 50022
and EN 50035

Passive hand over element from
pin strip to screw terminal



| | |
|--|---|
| Short designation / type | USV - S - 15 - S |
| Art. - No. | 01.01.012 |
| Technical data: pin strip | |
| Implementation | pin strip 15-pin |
| Rated voltage | 125VAC / 125VDC |
| Current-carrying capacity each contact | 2,5A by 70° |
| Contact pin material | Ni / Au |
| Interlock clamp | 4 - 40 UNC |
| Technical data: screw terminal | |
| Mode of terminal | Double row terminals |
| Clamping part | Brass, nickel plated |
| Creep resistance | KB 500 |
| Insulation body | PA6GV/PBTP |
| Approvals | UL, SA (clamp) |
| Other data | |
| Ambient temperature range | -20°C to + 70°C |
| Status indicator | no |
| Case: plastic | can be snapped |
| Position of installation / mounting | addable |
| Mode of connection: screw terminal | single wire 4mm ² , fine wire 2,5mm ² |
| clearance and creeping distance | according to DIN VDE 0110 |
| Dimensions: W x D x H | 50mm x 86mm x 65mm |