

KALEJA GmbH
D-73553 Alfdorf

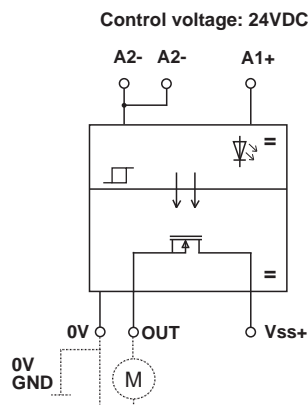
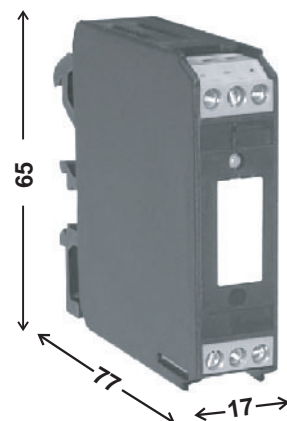
Motorcontrol for brush sticking direct current motor 24VDC

Implementation for switching current
up to 8A

Indirect-coupled between input circuit
and output circuit

To snap onto DIN - rail EN 50022
and EN 50035

Construction width: 17mm



Short designation / type

Rated voltage: 24VDC
Midi-M-8-30

Art. - No.

06.04.012

Technical data: input circuit

| | |
|------------------------------------|----------------|
| Rated voltage / threshold voltage | 24 VDC |
| Range of rated voltage min. / max. | 15V to 35VDC |
| Input current during rated voltage | 10mA |
| Input circuit | Rctifier |
| Status indicator | LED 3mm yellow |

Technical data: output circuit

MOS-FET

| | |
|--|----------------|
| Range of switching voltage / motor voltage | 12VDC to 35VDC |
| Max. permanent load current | 8A |
| Min. load current | 1 mA |
| Impulse current | 30 A |
| Switching frequency | 50 Hz by 8A |
| Output circuit | mas binded |
| Max. leakage current at "off" state | 1µA |

Other data

| | |
|--|---|
| Ambient temperature range | -20°C to + 60°C |
| Insulation voltage input / output | 2,5KV eff. |
| Absence of vibration a/r (10...500Hz) | > 20 / 5 |
| Overload protection / short-circuit-proof / temperature monitoring | yes / yes / yes |
| DIN VDE-determinations | VDE 0110, |
| Position of installation / mounting | Can be snapped, addable |
| Mode of connection: screw terminal | single wire 4mm ² , fine wire 2,5mm ² |
| Dimensions: W x D x H | 17mm x 65mm x 77mm |