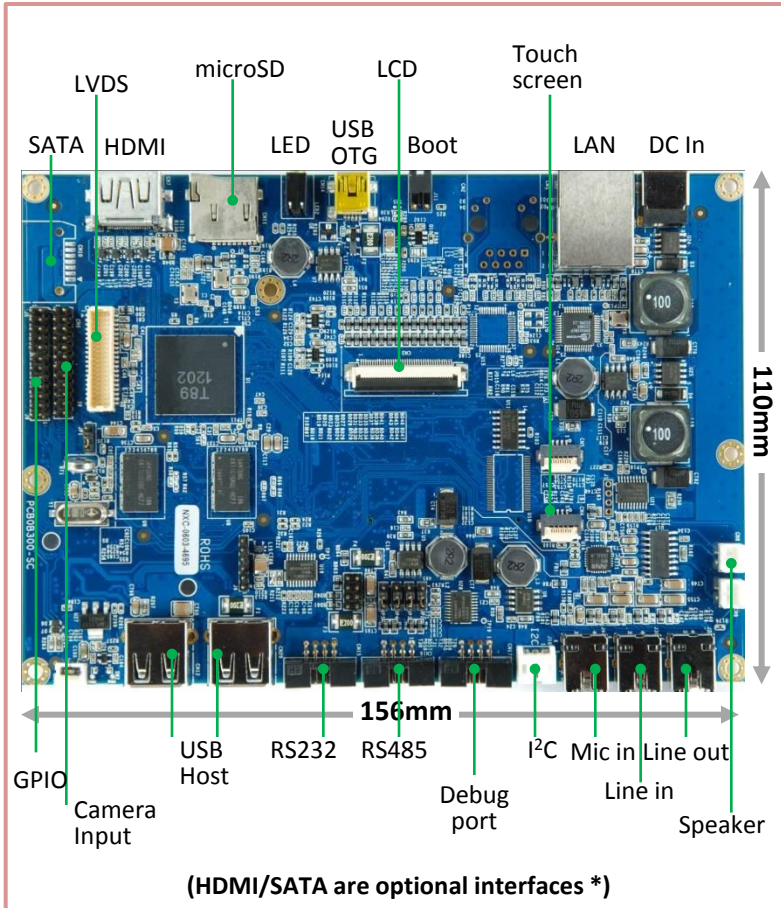


SBC1400

700MHz ARM11 SBC
with 1080p video output



Features

- On board ARM1176JZF processor at 700MHz speed
- MPEG-1/2/4 / H.264 video decoder up to 1080p performance
- H.264 video encoder up to 720p performance
- Supports TTL, LVDS and HDMI display interfaces
- One 10/100 Mbps Ethernet
- Supports USB 2.0/1.1, SATA interface, microSD card storage interface
- RS-232 / RS-485 interfaces
- Supported OS: Android 2.3, Linux 2.6, Windows CE 6.0

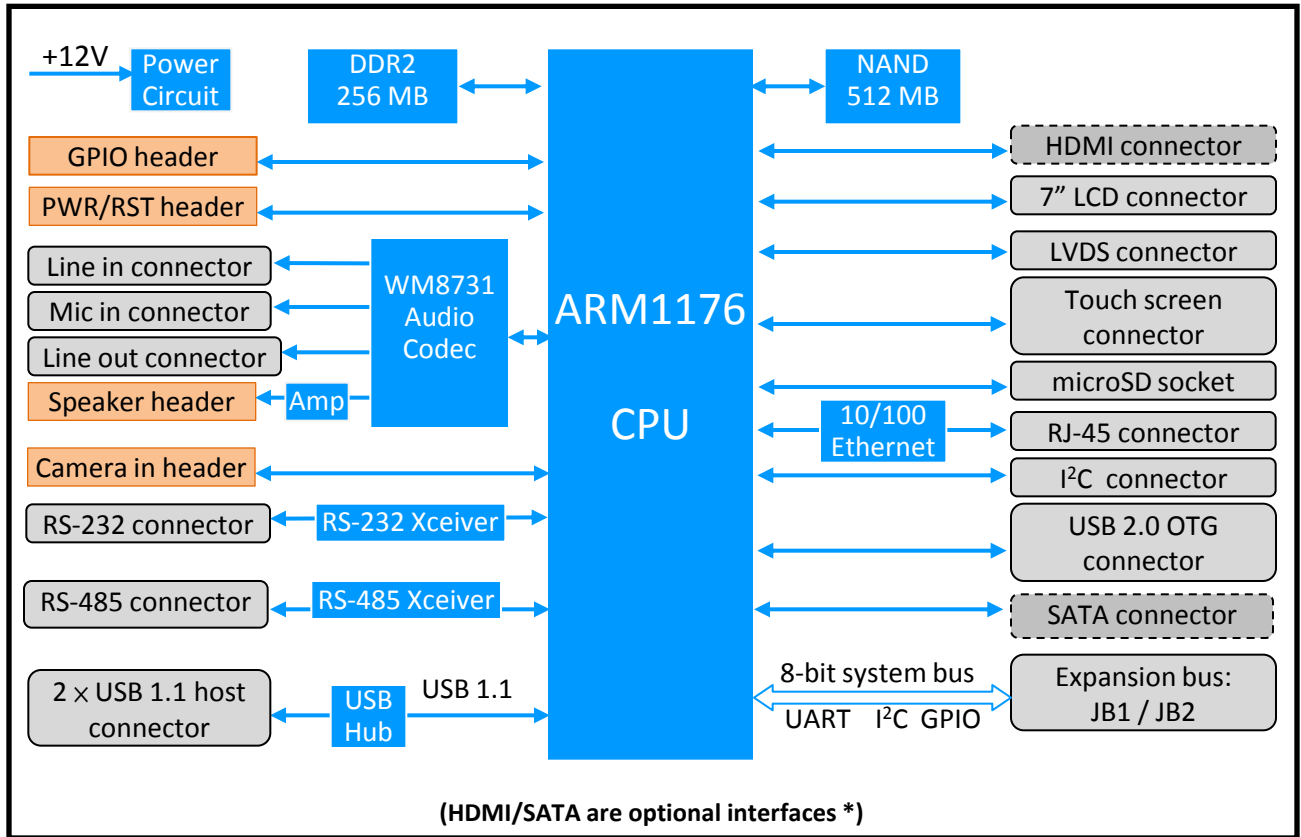


Specifications

CPU	ARM1176JZF @ 700 MHz 16 KB / 16 KB cache 16 KB / 16 KB TCM
Memory	256 MB DDR2 SDRAM
Storage	512 MB NAND flash
Display	1 × 7" TFT LCD (up to 800 × 480)
Interfaces	1 × LVDS (up to 1366 × 768) 1 × HDMI 1.3 (up to 1920 × 1080)
Video File Formats Supported	3GP, 3G2 (H.263) MPG, VOB, TS, TP (MPEG-1/2) AVI, MP4 (MPEG-4) AVI, MP4, MOV, MKV (H.264)
I/O Interfaces (Connectors)	1 × microSD card slot 1 × RJ-45 connector 1 × SATA connector (optional) 2 × 4-wire touch screen connectors

I/O Interfaces (Connectors)	1 × mic in, 1 × line in, 1 × line out 1 × USB 2.0 OTG connector 2 × USB 1.1 host connectors
I/O Interfaces (Pin headers)	2 × (1 × 2 header) speakers 1 × box header for GPIO 1 × box header for LVDS interface 1 × (2 × 4 header) debug port 1 × (2 × 4 header) RS-232 port 1 × (2 × 4 header) RS-232 / RS-485 port 1 × (1 × 3 header) I ² C port
Supported OS	Android 2.3 / Linux 2.6 / Windows CE 6.0
Power Input	DC +12 V @ 1.5 A
Dimensions	156 × 110 mm
Weight	Approx. 95 g
Environment	Operating temperature: 0° C to 60° C

SBC1400 Board Block Diagram



Ordering Information

SBC1400 Board

Part No.	Descriptions
SBC1400L	ARM1176 CPU, 256 MB DDR2, 512 MB NAND, 1 x LAN, Linux , Power adapter
SBC1400A	ARM1176 CPU, 256 MB DDR2, 512 MB NAND, 1 x LAN, Android , Power adapter
SBC1400C	ARM1176 CPU, 256 MB DDR2, 512 MB NAND, 1 x LAN, WinCE , Power adapter

SBC1400 Package Contents

1 x SBC1400 board
 1 x power adapter
 1 x RS-232 IDC cable
 1 x CD (software, User's Manual)

Modules & Accessories

LCM-07AA	7" TFT LCD module (800 x 480) with touch screen Cable set <<TBD>>
-----------------	--