

A Highly Adaptable

AC500 [500kg x 10.5m]

The compact pick and carry AC500 Assembly Crane is the ideal machine for lifting in restricted access areas.

This industrial assembly lifting crane allows operators to pick and carry loads of up to 500kg and can boom out to an impressive 5.1 metres. The AC500 is able to lift to a height of 10.5 metres and its 355° slew rotation and onboard electric battery make it the optimum machine for both lifting and travelling with loads.

This compact crane benefits from a small working footprint thanks to its compact width, measuring at less than one metre (0.98m). The cranes low marking tyres make it the perfect machine for internal lifting projects for processing plants, manufacturing industries and sensitive environments.

Key Features

- Maximum safe working load 500kg x 10.5m
- Max working radius 5.1m
- 355° slew rotation with stopping point
- Steering lock 85°
- Angle of Inclination 1.5° with Load
- Weight of crane: 4800kg
- Turning radius: 1.47 m outside/ 1.20 m inside
- Solid rubber low marking wheels
- Battery powered: 24 V 330Ah / 230V charger



Technical Specifications

Safe working load	capacity:	500kg
Weight	weight:	4800kg
Width	width:	980mm
Length	length:	2980mm
Height	height:	2370mm
Slew rotation	rotation:	355° with stopping point
Steering lock	lock:	85°
Max working height	tilt:	9.4m
Max working radius	radius:	5.1m
Turning radius	radius:	1.47m outside / 1.2m inside
Wheels	wheels:	solid rubber low marking
Max. gradeability	grade:	16%
Max. ground pressure	pressure	2800kg/wheel
Pad head slew	powered slew:	90° left & right
Power requirements	rechargeable battery:	24 V 330 Ah with 230v charger



With a 355° rotating base and no outswing the AC500 is perfect for working in small areas.

Assembly Crane

AC500

The AC500 assembly crane comes with wheel skirts to stop any debris getting caught underneath.



Reference Codes
MCO125



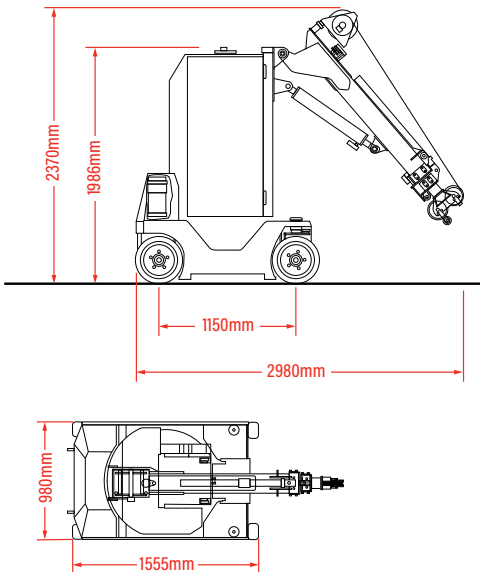
Digital Display Controls for the drive and crane operations of the AC500 assembly are clear and easy to use.



The AC500 is just 980mm wide and with its low marking tyres makes it perfect for sensitive environments.

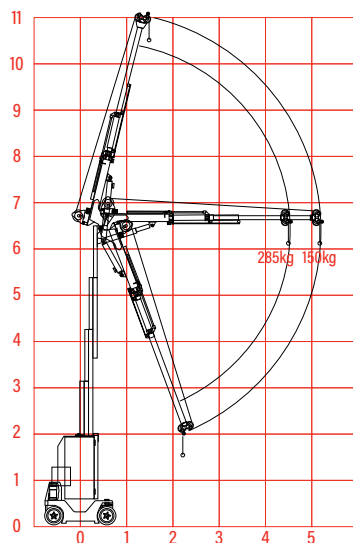


Technical Data (mm)



Rated Loads

With Extension Jib



Without Extension Jib

