

Technical Specification Sheet

Flat Grab Maxi [MSL25], [MSL26]

[1500-3000kg, 300mm]

Lift and reset stone tablets, leaning gravestones and monuments easily with the Flat Grab Maxi which features an extra tapered jaw for pulling loads from horizontal to upright position.

The Flat Grab Maxi boasts an adjustable clamping jaw for handling stone up to 300mm thick and weighing up to 3 tonnes. Also encompasses a self-levelling suspension point for handling asymmetric, uneven loads safely.

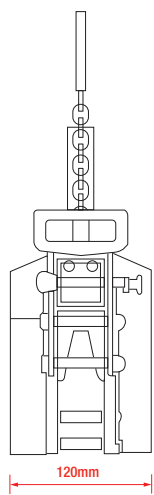
Two models available:

- 1500kg capacity with clamp range 0-300mm (MSL25)
- 3000kg capacity with clamp range 40-300mm (MSL26)

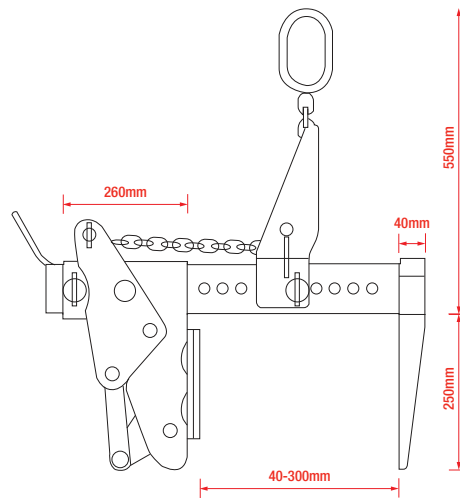
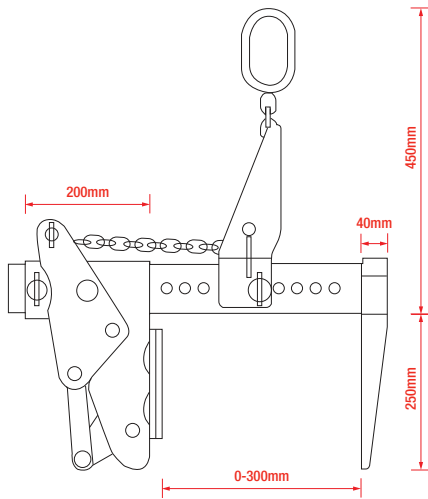
Features

- Below-the-hook clamp, uses load weight to grip and hold
- Rubber lined clamping faces to avoid damage to surface
- High strength, lightweight chain
- Weight of device - 47kg (MSL25), 81kg (MSL26)

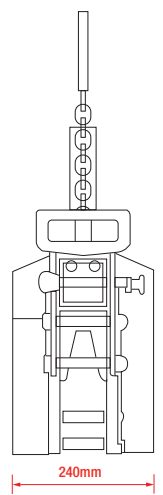
Dimensions



MSL25



MSL26



HIRE OR PURCHASE TODAY - CALL OUR SPECIALIST TEAM ON:

North: +44 (0)161 683 2580 - South: +44 (0)1844 202 071 - Scotland: +44 (0)1698 824444

www.ggrgroup.com