

Small Glass A-Frame [1000kg]

This highly manoeuvrable A-Frame glass cart has two 280mm deep shelves designed to carry loads of up to 1000kg.

Two of the four heavy duty compound wheels allow steering, whilst another wheel can be locked to act as a brake.

We can also custom build an A-Frame to meet your requirements.

Key Features

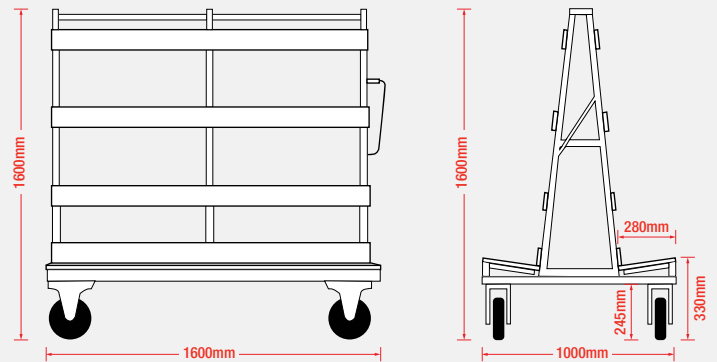
- Capacity: 1000kg (when load evenly distributed)
- Dimensions: 1600mm (l) x 1000mm (w) x 1600mm (h)
- Shelf width: 280mm
- Ground clearance: 245mm
- Two fixed, two swivelling wheels
- One brake
- Weight of stillage: 85kg

Reference Code

AGT55



Technical Data



Certified

Small Lifiable Glass A-Frame [1000kg]

This compact glass A-Frame trolley features lifting eyes and fork lift points for the convenient and safe transportation of glass around site.

Comprising of two 280mm deep shelves to carry glass, plastic and metal sheets, this compact liftable A-frame can handle loads of up to 1000kg, making it a popular choice with glazing and window contractors.

Its compact size makes this A-Frame easily transportable in a high-roof van. We can also custom build an A-Frame trolley to meet your specific requirements.

Key Features

- Capacity: 1000kg (when load evenly distributed)
- Dimensions: 1600mm (l) x 1000mm (w) x 1600mm (h)
- Shelf width: 280mm
- Ground clearance: 220mm
- Two fixed, two swivelling wheels
- One brake
- Lifiable stillage is tested and certified
- Weight of stillage: 110kg

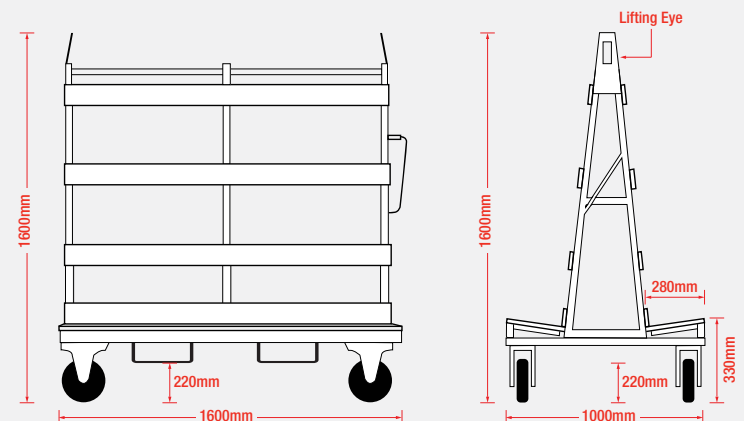
Reference Code

AGT50



Comes with two lifting eyes

Technical Data



N.B: Frame dimensions are subject to slight change

Large Glass A-Frame [1000kg]

This hugely popular glass A-Frame trolley includes two deep shelves, each with a generous depth of 490mm for moving thicker glass panels or sheet metal around site.

This large A-Frame is capable of transporting loads of up to 1 tonne and has heavy-duty compound wheels making it easy to manoeuvre.

Our development team can also custom build an A-Frame trolley to meet your specific size.

Key Features

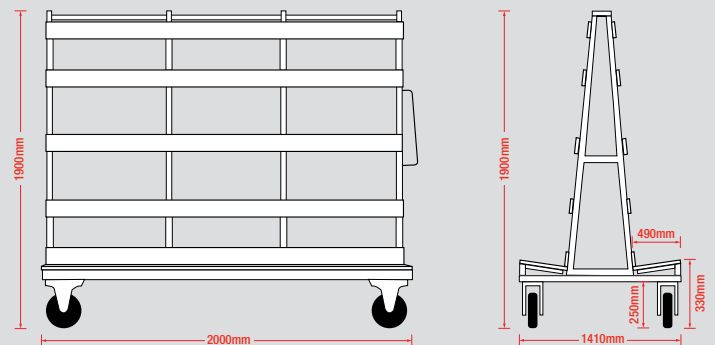
- Capacity: 1000kg (when load evenly distributed)
- Dimensions: 2000mm (l) x 1410mm (w) x 1900mm (h)
- Shelf width: 490mm
- Ground clearance: 250mm
- Two fixed, two swivelling wheels
- One brake
- Weight: 132kg

Reference Code

AGT60



Technical Data



Certified

Large Lifiable Glass A-Frame [1000 & 1500kg]

This Large Lifiable Glass A-Frame trolley is a practical and convenient aid for moving large glass and sheet metal panels across larger distances on site.

A popular choice in the glazing and window industry, this liftable A-Frame can safely carry 1000kg and 1500kg loads and includes two deep shelves, each with a generous depth of 390mm for thicker glass panels.

Featuring fork lift points and two lifting eyes, this glass stillage together with its load can be easily lifted by a fork lift truck or crane for safer, quicker transportation of glass on large sites.

Key Features

- Capacity: 1000kg (AGT65) or 1500kg (AGT67) (when load evenly distributed)
- Dimensions: 2300mm (l) x 1210mm (w) x 1900mm (h)
- Shelf width: 390mm
- Ground clearance: 200mm
- Two fixed, two swivelling wheels
- One brake
- Lifiable stillage is tested and certified
- Weight: 132kg

Reference Codes

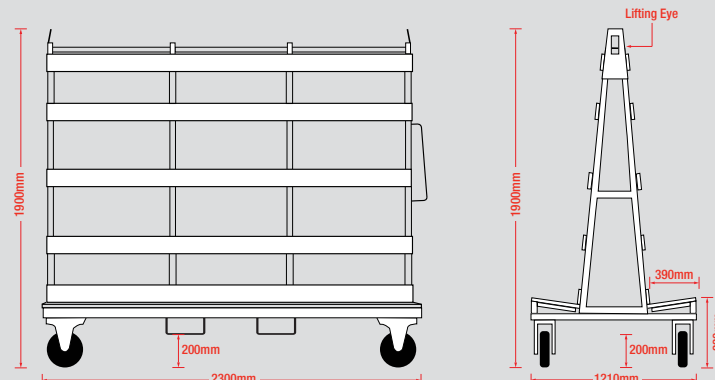
1000kg Capacity - AGT65

1500kg Capacity - AGT67



Comes with two lifting eyes

Technical Data



N.B: Frame dimensions are subject to slight change

Certified

High Side Lifiable A-Frame [1500kg]

The largest in our range of A-Frame glass trolleys, this latest addition has two 585mm deep shelves allowing for the safe and efficient movement of thick glass or sheet materials around site.

Catering for loads of up to 1.5 tonnes (when weight is evenly distributed), this trolley is especially useful for the transportation of large glass panels.

As with our other liftable A-Frame trolleys, this stillage comes complete with fork lift points and lifting eyes allowing it to be lifted by a fork lift truck or telehandler making transportation of glass safer and more efficient.

Key Features

- Capacity: 1500kg (when load evenly distributed)
- Dimensions: 2300mm (l) x 1600mm (w) x 2500mm (h)
- Shelf width: 585mm
- Ground clearance: 200mm
- Two fixed, two swivelling wheels
- One brake
- Weight: 190kg

Reference Code

AGT85



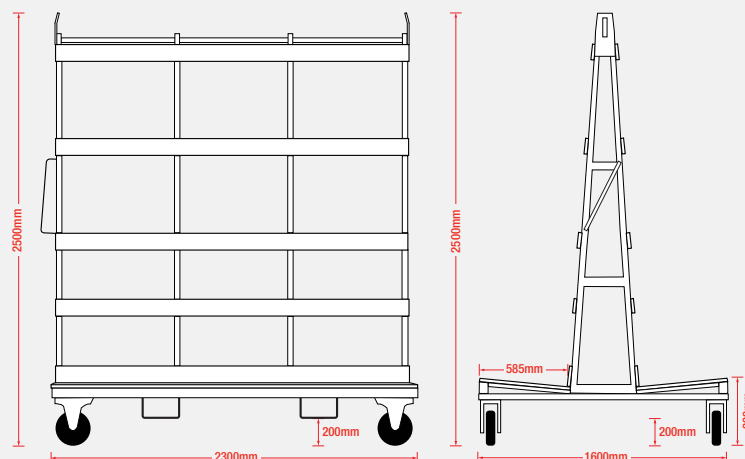
Two fixed and two swivelling wheels (one lockable)



Comes complete with fork lift points and a lifting eye



Technical Data



Custom Built A-Frames

Our development team are able to design A-Frame glass trolleys to suit your budget, specific size or loading requirements.

Where applicable, our trolleys come complete with lifting eyes, fork entry points and hard or soft castors.

All liftable stillages are tested and certified.

Reference Code

Custom Built A-Frame To Match Requirements - **AGT80**



Example of a custom built extra-long liftable A-Frame: 3200mm (l) x 1900mm (h) x 1210mm (w)

N.B: Frame dimensions are subject to slight change