

# Weighs Only 2600kg

## Starworker 1000 Trailer Crane [1000kg]

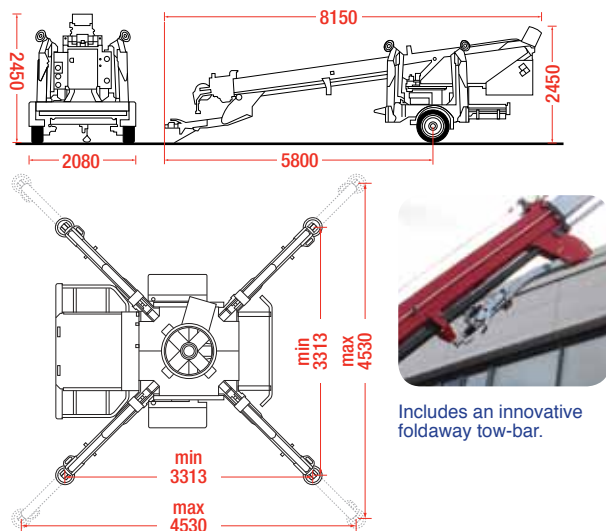
A cost effective alternative to traditional mobile cranes, the Starworker 1000 towable trailer crane comes with a mechanical jib, offering a generous 24.5m hook height and 20m working radius.

Weighing just 2600kg, this crane has a small footprint compared to traditional trailer cranes thanks to its innovative patented tow-bar design. The lightweight and compact chassis makes the Starworker 1000 a practical choice for when space or point loadings are an issue.

### Technical Specifications

<b>Maximum capacity</b>	1000kg
<b>Maximum working radius</b>	20m
<b>Maximum hook height</b>	24.5m
<b>Derricking angle main boom</b>	0° - 82°
<b>Derricking angle fly jib</b>	0° & 36°
<b>Hook speed</b>	0 - 45m/min
<b>Slewing angle</b>	360° (continuous)
<b>Transport width</b>	2080mm
<b>Transport height</b>	2450mm
<b>Transport length</b>	8150mm
<b>Engine</b>	Yanmar / Honda
<b>Fuel</b>	diesel / petrol (LPG option)
<b>Weight</b>	2600kg
<b>Standard equipment</b>	radio remote with feedback, load percentage indicator, mechanical fly jib, safe load limiter, double jockey wheel, hinged tow-bar
<b>Optional equipment</b>	auto-leveling outriggers

### Technical Data (mm)



### Reference Code

MCO110

### Load Chart (manual fly jib)

