

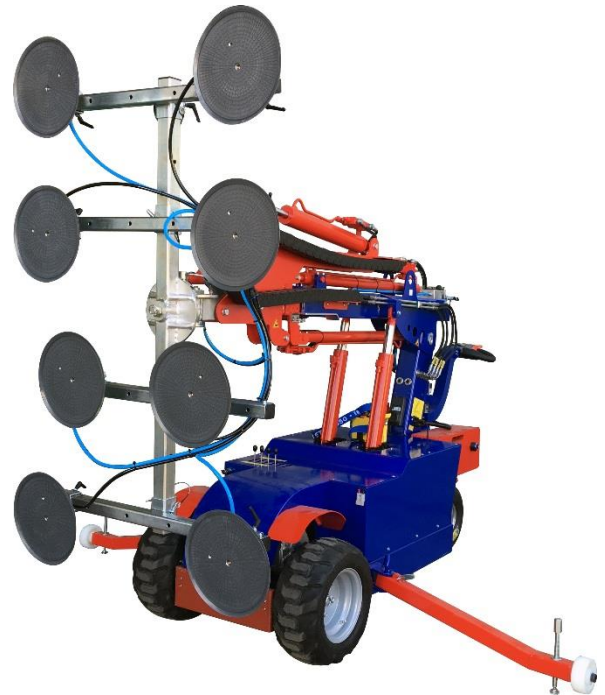
Oscar 800 Offroad

[GRG28]

The OSCAR 800 Offroad is a glazing robot with a capacity to lift up to 800kg, designed to handle glass plastic boards, ceramic plates and steel plates for easy handling and installation. Fitted with all terrain tyres, the OSCAR 800 Offroad makes it easier to work in areas with restricted access and poor ground conditions.

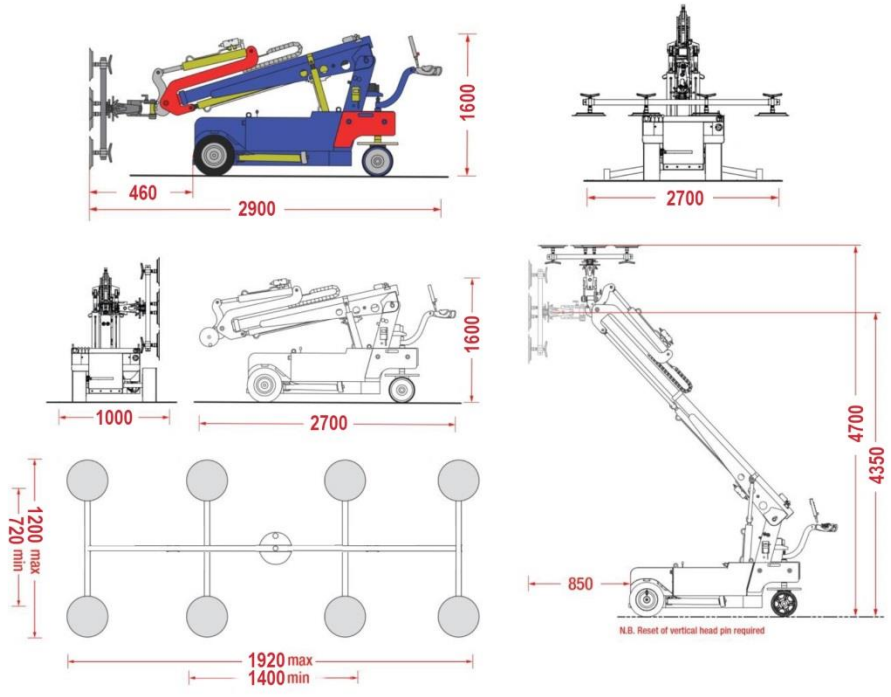
With a hydraulically powered robotic arm that can extend up to 2500mm, the OSCAR 800 Offroad can install materials with precision due to its movable head that has the ability to rotate 135° left and right; tilt 90° up and down; and slew 90° left and right.

For extra stability when transporting and lifting loads, the OSCAR 800 Offroad comes complete with wheeled stabilisers. A radio remote control, allows operators to decide how close they want to be to the load - closer during installation or further away to remain at a safer distance as required.



FEATURES

- Lifting capacity 800kg
- Maximum weight of machine 1340kg (including 16 removable counterweights @ 23kg)
- 1000mm (w) x 2700mm (l) x 1600mm (h)
- 90° lateral head movement (left and right)
- 135° rotation left and right (270°)
- 90° slew left and right
- Dual vacuum circuit and four vacuum pumps
- Audio-visual low vacuum warning
- Spring loaded safety cut-out switch when exceeding safe working load
- Hydraulically powered robotic arm
- Radio remote control



© GGR Group Ltd 2016

SOUTH Units 8 - 10 Ridgeway
Drakes Drive
Long Crendon Industrial Estate
Bucks · HP18 9BF · UK
PHONE +44 (0)1844 202 071
FAX +44 (0)1844 202 075

NORTH Presentation House
Broadgate
Broadway Business Park
Oldham · OL9 0JA · UK
PHONE +44 (0)161 683 2580
FAX +44 (0)161 683 4444

SCOTLAND Unit 11 · 3rd Road
Blantyre Industrial Estate
Blantyre
Glasgow · G72 0UP · UK
PHONE +44 (0)1698 824 444
FAX +44 (0)1698 824 488

EMAIL info@ggrgroup.com
WEB www.ggrgroup.com

GGR Group Limited
Company Registration Number 04901075
VAT Registration Number 989811160

Technical Table

Load Capacity Max	800kg		
Suitable for lifting	Material properties: Surface: Example:	Gastight / non-porous Smooth Glass, plastic boards, ceramic plates, steel plates	
Weight	<u>Weight with counterweights</u>	<u>Weight without counterweights</u>	
	1340kg	972kg	
Number of counterweights	No. counterweights:	16 weights @ 23kg	
Jib angle		120 degrees	
Dimensions (travelling)	Width Length Height	1000mm 2900mm 1600mm	
Suction cups	Number of Cups: Cup Diameter	8 350mm	
Powered head tilt	Tilt:	90° up and down	
Powered lateral sideshift	Sideshift	100mm left & right	
Manual head rotation	Rotation	135° left & right	
Manual head slew left & right	Slew:	90° lockable left and right	
Powered boom	In and out:	Telescoping range up to 2500mm	
	Up and down:	See load chart for height	
Electric Drive	Drive	24v / 2000W	Part no: 11020327
Hydraulics	Operating pressure	150 bar max.	
Hydraulic cylinder	Lifting cylinder 2 X Telescopic cylinder Tilt cylinder Side shift cross feed	600mm stroke 1000mm stroke 500mm stroke 100mm stroke	Part No. 11019767 11019769 11019770 11019768

Load Chart

