

Portable & Compact Glazing

Oscar 280 [280kg] Optimum Strength Compact Articulated Robot

GGR Group's exclusive range of Oscar glazing robots offer a revolutionary sideshift feature for shuffling glass into millimetre perfect position, without the need for realigning the whole machine.

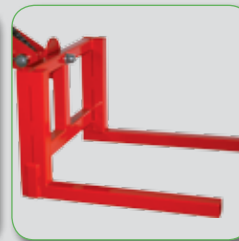
The smallest robot in the range, the Oscar 280, delivers unparalleled lifting capacity for its size with the ability to handle loads of up to 280kg, making it perfect for tricky internal glazing tasks. With a width of just 630mm, passing through doors is no problem for the Oscar 280 which also features a flexible head that can be slewed sideways 90° left and right.

Precision installation of glass panels is made easy with a robotic lifting head that hydraulically tilts and manually rotates up to 180°. The Oscar 280 comes complete with a cable remote control and small wheeled outriggers for extra stability when lifting and transporting loads.

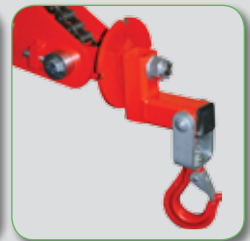
Reference Code
GRG35



Cable remote control as standard



Optional fork lift attachment

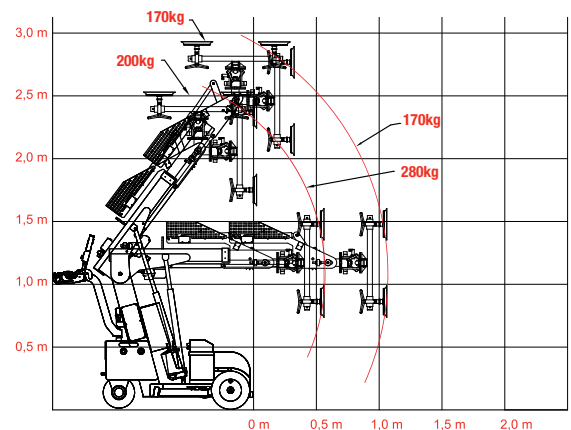


Optional hook attachment

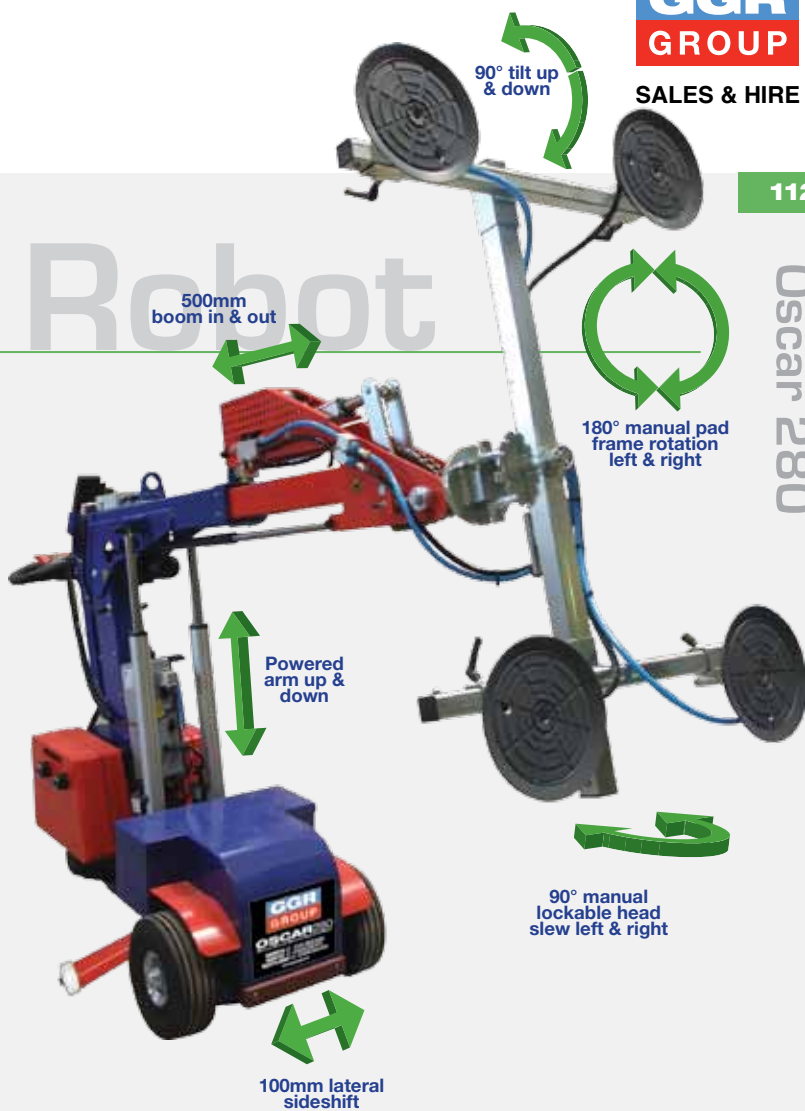
Technical Specifications

Safe working load	capacity jib 1: capacity jib 2:	280kg 170kg
Suitable for lifting	material properties: surface: example:	gastight / non-porous smooth glass, plastic boards, ceramic plates
Weight	with counterweights: without counterweights:	505kg 292kg
Width	width:	630mm
Travelling length	length:	2160mm
Travelling height	height:	1388mm
Number of suction cups	cups:	4
Powered head tilt	powered head tilt:	90° up & down
Powered lateral sideshift	powered lateral sideshift:	100mm
Manual pad frame rotation	rotation:	180° lockable left & right
Manual head slew left & right	manual head slew:	90° left & right
Boom in & out	boom in & out:	500mm
Vacuum system	dual circuit:	2 pumps, 2 vacuum reserve tanks
Power requirements	rechargeable battery: pump:	110v/240v charger 24v DC (2 x 12v)

Rated Loads Diagram



Class Lifting Robot



Optional low marking tyres



Electric rear wheel drive



Oscar 280 lateral sideshift 100mm



Optional magnetic light for improved safety in low light areas

Technical Data (mm)

