



## Technical Specification Sheet

# Libro 250 Compact

[VOB250]

The Libro 250 Compact is the lightest and most compact overhang beam in GGR's Libro range. This counterweight balanced beam has a 250kg lifting capacity for carrying out high level glass, cladding and curtain walling panel installation work underneath soffits and overhangs up to 0.8 metres deep.

Fitted with a hook attachment, the Libro 250 Compact is compatible with a range of GGR's vacuum-powered glass lifting attachments (such as the P11104 or MRT4) or it can be directly attached to cladding panels with lifting eyes.

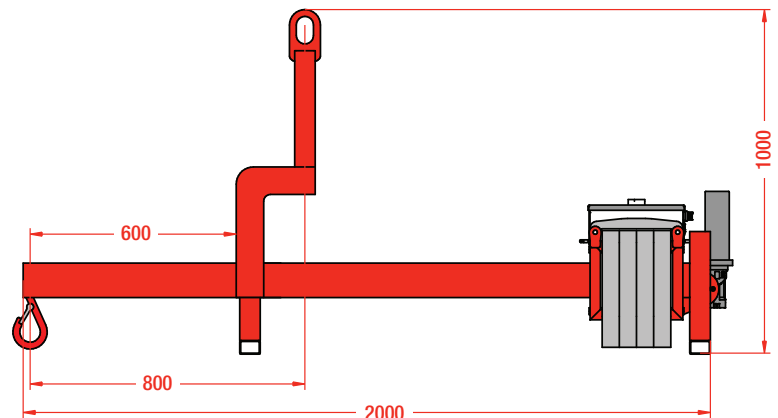
Powered by a 24V rechargeable battery, the Libro 250 Compact has an electrically adjustable rack and pinion counterweight saddle which can be moved along the machine's rear beam by cable remote control.

For handling heavier loads, take a look at the Libro 300, Libro 500 and Libro 850 overhang beam models with integrated vacuum lifting heads.

## Technical Information

<b>Safe working load</b>	capacity:	250kg x 800mm
<b>Weight of lifter</b>	weight:	280kg (with counterweights) 80kg (without counterweights)
<b>Depth of overhang</b>	depth:	800mm
<b>Balance control</b>	control:	rack and pinion counterweight saddle
<b>Power requirements</b>	power:	24V DC rechargeable battery 110/240v battery charger
<b>Standard accessories</b>	standard:	cable remote control to operate counterweight saddle

## Dimensions



**HIRE OR PURCHASE TODAY - CALL OUR SPECIALIST TEAM ON:**

North: +44 (0)161 683 2580 - South: +44 (0)1844 202 071 - Scotland: +44 (0)1698 824 444

[www.ggrgroup.com](http://www.ggrgroup.com)