

Versatile Runabout For

G50 Pick & Carry Crane [5.0t x 0.6m]

The G50 is a versatile runabout crane that can lift, shift and place loads up to 5 tonnes in weight.

A modern day and practical alternative to the iron fairy crane, the G50 is powered by electric battery or diesel engine. It comes complete with a maximum lifting height of 5m which can be extended to 6.4m with an optional searcher hook.

Safety features including digital safe load indicator, audio-visual overload alert and reversing alarm. Optional equipment includes low marking tyres, 1500kg searcher hook and 5000kg capacity full winch system (maximum lifting height 4.8m).

Reference Code

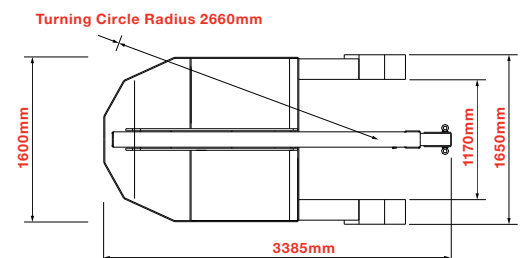
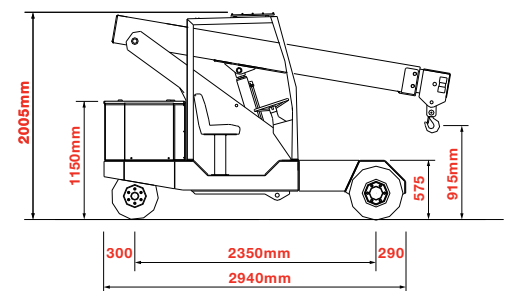
MCG50



Technical Specification

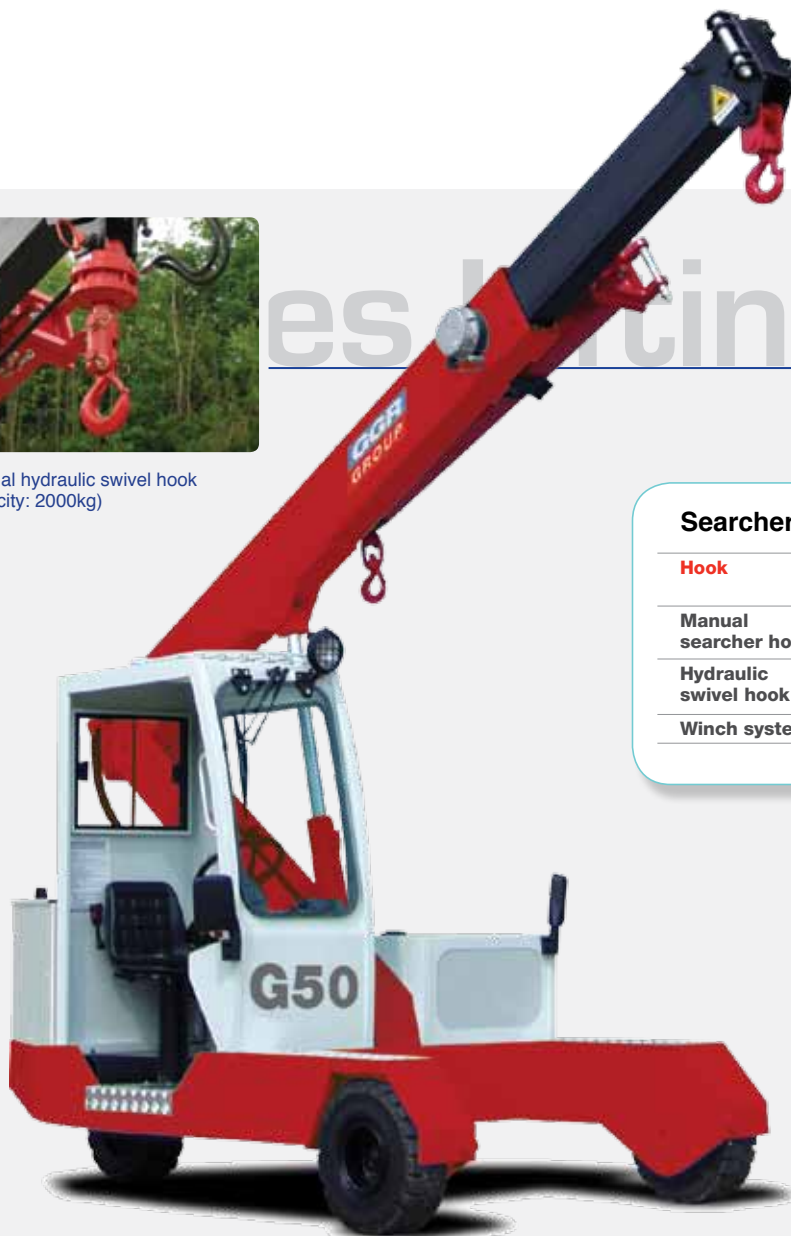
Capacity	5.0t x 0.6m
Maximum working radius	2.7m (4.4m with searcher hook, 2.7m with winch)
Maximum lifting height	5m (6.4m with searcher hook, 4.8m with winch)
Dimensions	3385mm (l) x 1650mm (w) x 2005mm (h)
Weight	4000kg
Boom length	2.95 - 5.05m
Boom type	2 section box boom (1+2 hydraulic)
Derricking angle	-10° to 47°
Steering	rear hydraulic 180°
Tyres	1 solid rear, 2 solid front
Diesel engine option	Yanmar 3 cylinder
Maximum output	23kW
Tank capacity	30 litres
Travel speed	12km/h
Electric power option	6kW
Power source	48v rechargeable battery
Battery charger	415v
Travel speed	7km/h
Gradeability	±11.3° (without load)
Standard equipment	Digital safe load indicator, audio-visual overload alarm, reversing alarm, overload warning lamps
Optional equipment	Diesel engine, 1500kg searcher hook, low marking tyres, 5t capacity full winch system, 2t hydraulic swivel hook, radio remote control

Technical Data (approx. mm)





Optional hydraulic swivel hook
(Capacity: 2000kg)



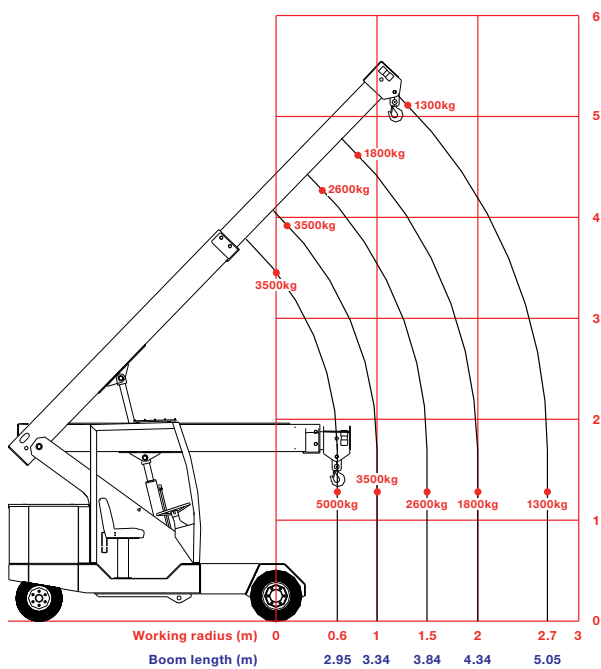
Searcher Hook Safe Working Loads

Hook	Max. Capacity	Max. Lift Height	Max. Radius
Manual searcher hook	1500kg	6.4m	4.4m
Hydraulic swivel hook	2000kg	4.8m	2.7m
Winch system	5000kg	4.8m	2.7m

Optional searcher hook
(Capacity: 1500kg)



Rated Loads



Manual Searcher Hook Rated Loads

