

Pick & Carry Cranes

Heavy Duty Lifting & Sh

G150 Pick & Carry Crane [15.0t x 0.9m]

The G150 mobile crane is the perfect solution to lift and shift heavy loads up to 15 tonnes in congested areas whilst still boasting the flexibility of 180° rear hydraulic turning.

A great alternative to shuttle lift cranes, the G150 has a longer boom and a range of optional searcher hooks as well as special lifting attachments available.

Reference Code

MCG150



Optional Container Attachment

- Capacity: 4500kg
- Length: 3300mm
- Ref. Code: GAL0014

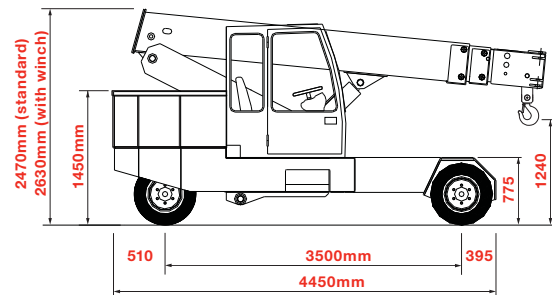
Optional Fork Lift Attachment

- Capacity: 6500kg
- Length: 600mm
- Ref. Code: GAL0015

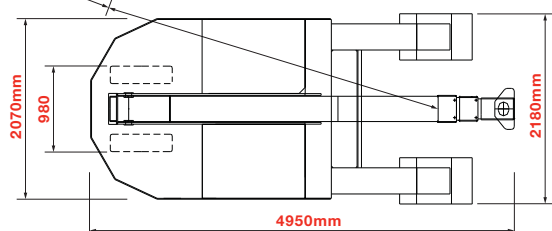
Technical Specification

Capacity	15.0t x 0.9m
Max working radius	6.1m (9.2m with searcher hook)
Max lifting height	8.5m (11.4m with searcher hook)
Dimensions	4950mm (l) x 2180mm (w) x 2630mm (h) (with winch)
Weight	12,800kg
Boom length	4.3 - 9.49m
Boom type	3 section box boom (1+2+3 hydraulic)
Derricking angle	-5° to 48°
Steering	Rear hydraulic 180°
Tyres	2 solid rear, 4 solid front
Diesel engine option	VM 4 cylinder or Yanmar
Maximum output	62kW
Tank capacity	80 litres
Travel speed	12km/h
Electric power option	16kW
Power source	80v rechargeable battery
Battery charger	415v
Travel speed	7km/h
Gradeability	±11.3° (without load)
Standard equipment	Digital safe load indicator, joystick controlled proportional distributor, audio-visual overload alarm, reversing alarm, overload warning lamps, seat and seatbelt sensor, intelligent throttle activation
Optional equipment	Diesel engine, 12t rhino hook, 3.2t manual searcher hook, 4t hydraulic searcher hook, auto-levelling telehandlers forks, low marking tyres, full winch system, radio remote control, special container attachment

Technical Data (approx. mm)



Turning Circle Radius 3995mm





Digital Safe Load Indicator as standard



Optional Hook Attachments

Manual searcher hook (3200kg capacity)

Hydraulic searcher hook (4000kg capacity)



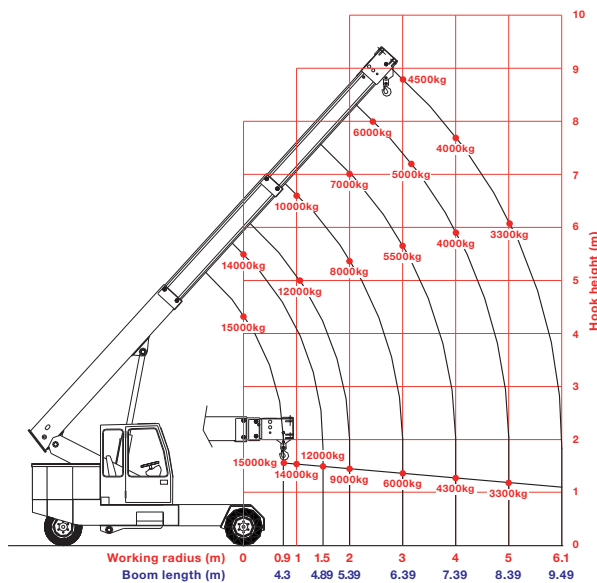
Rhino hook (12000kg capacity)

Winch system (15000kg capacity)

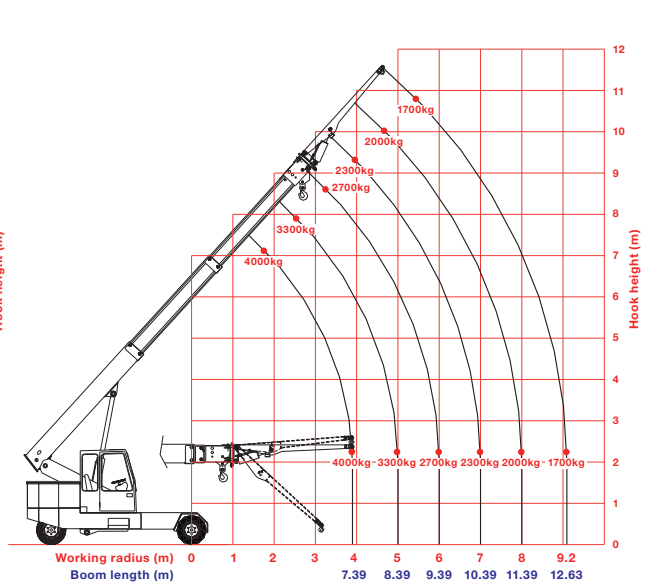
Searcher Hook Safe Working Loads

Hook	Max. Capacity	Max. Lift Height	Max. Radius
Manual searcher hook	3200kg	10.2m	8.2m
Hydraulic searcher hook	4000kg	11.4m	9.2m
Rhino hook	12000kg	9.7m	6.9m
Winch system	15000kg	8.0m	6.1m

Rated Loads



Hydraulic Searcher Hook Rated Loads Chart



Pick & Carry Cranes

G150 Pick & Carry Crane [15.0t x 0.9m]



Manual Searcher Hook Rated Loads Chart

