

Ultimate Steering Control

GF200 Pick & Carry Crane [20.0t x 0.8m]

The GF200 Pick and Carry Crane has an innovative traction system with front wheel drive for ultimate steering control and manoeuvrability.

With 20 tonnes of lifting capacity and an extremely compact chassis, the GF200 still retains all the benefits of the smaller models including battery-electric power, 180° rear hydraulic turning and no outriggers, making it a highly manoeuvrable machine.

Features include a radio remote control, innovative front wheel drive with separate motors for each pair of wheels and removable counterweights.

The GF200 has three hydraulic boom extensions, offering an overall maximum lifting height of 9m or 12m with a hydraulic searcher hook.

Reference Code
MCGF200

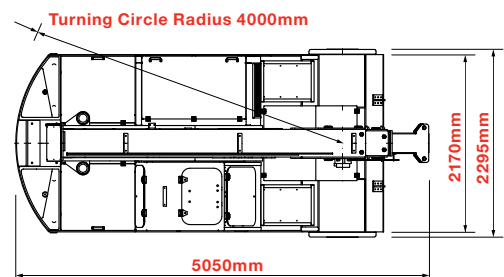
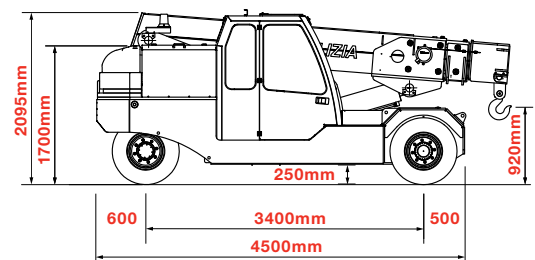


Optional rhino hook
(Capacity 16000kg)

Technical Specification

| | |
|------------------------------|--|
| Capacity | 20.0t x 0.8m |
| Max working radius | 6.1m (9.2m with searcher hook) |
| Max lifting height | 9m (12m with searcher hook) |
| Dimensions | 5050mm (l) x 2295mm (w) x 2095mm (h) |
| Weight | 20,000kg (with removable counterweights) |
| Boom length | 4.23 - 9.43m |
| Boom type | 3 section box boom (1+2+3 hydraulic) |
| Derricking angle | -5° to 55° |
| Steering | rear hydraulic 180° |
| Tyres | 2 solid rear, 4 solid front |
| Electric power option | 16kW + 16kW (2 motors on front axles) |
| Power source | 80v rechargeable battery |
| Battery charger | 415v |
| Travel speed | 7km/h |
| Gradeability | ±11.3° (without load) |
| Standard equipment | Digital safe load indicator, joystick controlled proportional distributor, reversing alarm, seat and seatbelt sensor, emergency stop button |
| Optional equipment | Diesel engine, 16t rhino hook, 4t hydraulic searcher hook, full 20t 6-fall winch system, hook block stop, radio remote control, auto-levelling telehandler forks, low marking tyres, rear camera |

Technical Data (approx. mm)



Range & Versatility



Optional winch system
(Capacity: 20000kg)



Hydraulic searcher hook
(Capacity 4000kg)



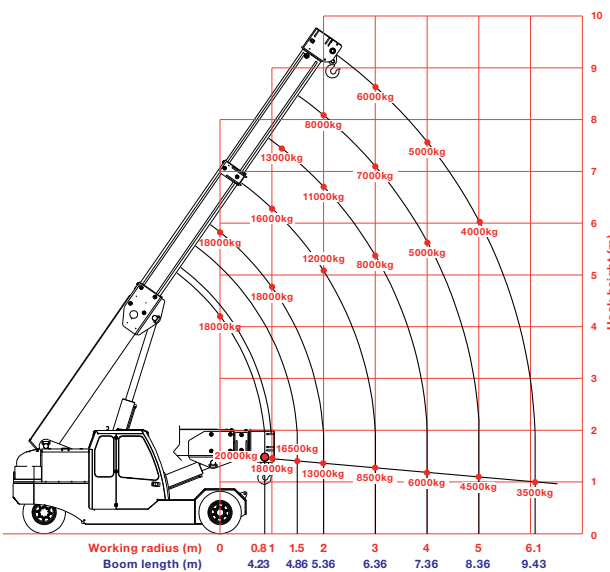
Rear view camera



Searcher Hook Safe Working Loads

| Hook | Max. Capacity | Max. Lift Height | Max. Radius |
|-------------------------|---------------|------------------|-------------|
| Hydraulic searcher hook | 4000kg | 12m | 9.2m |
| Rhino hook | 16000kg | 10m | 6.9m |
| Winch system | 20000kg | 8.2m | 6.1m |

Rated Loads



Hydraulic Searcher Hook Rated Loads Chart

