

GENSCO HG

Scrap and Demolition Handling Grapple

Gensco HG series grapples are intended for use in recycling, demolition and waste handling applications. The perfect attachment for feeding bulky scrap, sorting, loading or placing bales. Designed for daily operation, this workhorse can meet the demand.



Strong hydraulic rotation is standard



Huge opening is essential when handling bulky material or bales.



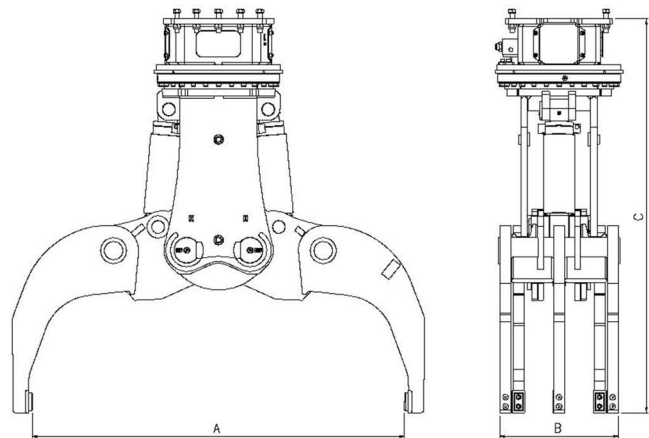
With a fully intersected closed jaw the HG series can handle material covering a large range, from thin wires up to bulky objects including; steel, pipe, beam, rail, timber and bales. It is a popular choice as a feeder for a crusher, compactor or for special applications like feeding a shear. With or without rotation it's reliable attachment for any size excavator.

Unique design allows full intersecting jaws. It is essential in order to handle small diameter scrap, loose wire, and more...

Item	HG10	HG20	HG30
Weight	1600 kg :: 3525 lbs	2100 kg :: 4625 lbs	2600 kg :: 5730 lbs
Lifting capacity	1000 mm :: 2200 lbs	2500 mm :: 5500 lbs	4000 mm :: 8800 lbs
Max opening, a	1800 mm :: 71"	2250 mm :: 89"	2500 mm :: 98"
Closing force	20 kN :: 4500 lbs	20 kN :: 4500 lbs	53 kN :: 11,900 lbs
Volume, jaws closed	160 L :: 6 ft ³	330 L :: 12 ft ³	420 L :: 15 ft ³
Total width, b	400 mm :: 16"	550 mm :: 22"	800 mm :: 31"
Height, c	1030 mm :: 41"	1049 mm :: 41"	1274 mm :: 50"
Max operating pressure	320 bar :: 4640 psi	320 bar :: 4640 psi	350 bar :: 5076 psi
Max oil flow	240 L/min :: 63 gal/min	240 L/min :: 63 gal/min	240 L/min :: 63 gal/min
Hose connections	JIC 5/8	JIC 1 5/8	SAE 6000 psi 1 1/4
Max. operating pressure, rotation	100 bar :: 1450 psi	100 bar :: 1450 psi	100 bar :: 1450 psi
Max oil flow, rotation	30 L/min :: 8 gal/min	30 L/min :: 8 gal/min	30 L/min :: 8 gal/min
Connections, rotation	JIC 06 (9/16-18)	JIC 06 (9/16-18)	JIC 06 (9/16-18)
Carrier weight (a)	10-25 t :: 11-28 t	20-40 t :: 23-45 t	25-50 t :: 28-67 t

(a) Check carrier's lifting capacity from carrier's manufacturer

Robust and unique structure makes the HG an excellent tool for many applications. Handling of re-bar, wood, pipe, railway ties, concrete and loose scrap is safe and simple. HG includes high speed, fully protected cylinders, HARDOX jaws, and optional replaceable teeth.



Since 1919



GENSCO AMERICA, INC

5307 Dividend Dr., Decatur, Georgia 30035 • Tel: 770 808-8711 • Fax: 770 808-8739

GENSCO EQUIPMENT (1990) Inc

53 Carlaw Ave., Toronto, Canada M4M 2R6 • Tel: 416 465-7521 • Fax: 416 465-4489

email: info@genscoequip.com • www.genscoequip.com



ACROSS USA 800 268-6797