

Model 2025A-S
Capacity @ 500 mm LC 2,500 kg
Power Type Electric
Controller SME

CLG2025A-S

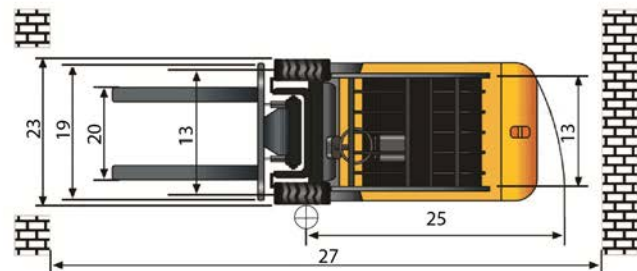
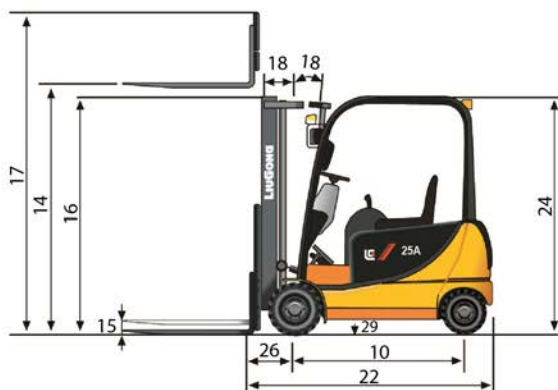
ELECTRIC FOUR WHEEL
PNEUMATIC TIRE FORKLIFTS



TOUGH WORLD. TOUGH EQUIPMENT.

CLG2025A-S SPECIFICATIONS >>>

General	Model	1			2025A-S	
	Power Type	2			Electric	
	Base Capacity	3	@ rated load center	kg	2,500	
	Load Center	4		mm	500	
Weights	Service Weight	5	unloaded with minimum weight battery	kg	3,900	
	Axle Load	6	loaded, front / rear	kg	5,698 / 702	
		7	unloaded, front / rear	kg	1,648 / 2,252	
Tires	Tires	8	Tire Type		Pneumatic	
	Wheels	9	front / rear		2 / 2	
	Wheelbase	10		mm	1,510	
	Tire Size	11	front		23x9-10-16PR	
		12	rear		18x7-8-14PR	
	Tread Width	13	front / rear		970 / 880	
	Mast	Max. Fork Height	14	with std 2 - stage mast	mm	3,000
Freelift		15	with std 2 - stage mast	mm	140	
Height, Upright Lowered		16	with std 2 - stage mast	mm	2,055	
Height, Upright Extended		17	with std 2 - stage mast	mm	4,115	
Mast Tilt, Fwd / Back		18	with std 2 - stage mast	deg	6° / 7°	
Carriage		19	width	mm	1,040	
Fork Spread		20	minimum / maximum	mm	222 / 1,010	
Fork Dimensions		21	T x W x L	mm	45 x 100 x 1,070	
Chassis		Length to Fork Face	22	with std 2 - stage mast	mm	2,350
		Overall Width	23		mm	1,200
	Overhead Guard Height	24		mm	2,050	
	Turning Radius	25	minimum outside	mm	2,150	
	Fork Overhang	26	with std 2 - stage mast	mm	450	
	Right Angle Stack	27	add load length and clearance	mm	3,795	
	Ground Clearance	28	minimum loaded	mm	95	
		29	center of wheelbase	mm	115	
	Battery Compartment	30	length / width / height	mm	655 / 880 / 680	
	Performance	Travel Speed	31	loaded / unloaded	kph	14.5 / 15
Lift Speed		32	loaded / unloaded	m/s	0.3 / 0.45	
Lower Speed		33	loaded / unloaded	m/s	0.52 / 0.48	
Max. Drawbar Pull		34	5 min. rating	kg	1,150	
		35	60 min. rating	kg	194	
Max. Gradeability		36	5 min. rating	%	13	
Systems	Controllers	37	drive / hydraulic (make, type)		SME, AC	
	Motors	38	drive output (60 min. rating)	kW	8	
		39	hydraulic output (15 min. rating)	kW	15	
	Battery	40	type		Lead Acid	
		41	voltage		48	
		42	max. capacity (6 hour rating)	Ah	560	
		43	weight, minimum / maximum	kg	900 / 1,200	



Guangxi Liugong Machinery Co., Ltd.

No. 1 Liutai Road, Liuzhou, Guangxi 545007, PR China
T: +86 772 3886124 E: overseas@liugong.com
www.liugong.com

06/2014 Designed by LiuGong

Specifications and designs are subject to change without notice. Machines shown may include optional equipment.