

Model 2020A-S
Capacity @ 500 mm LC 2,000 kg
Power Type Electric
Controller SME

CLG2020A-S

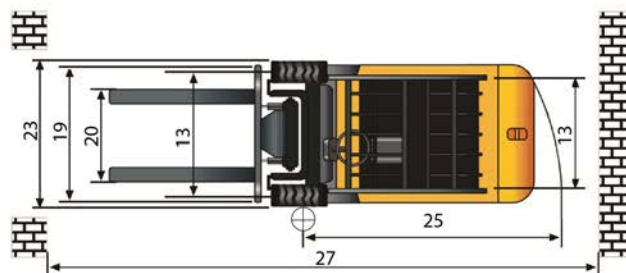
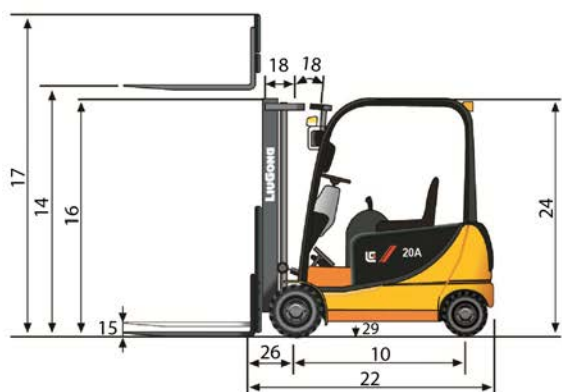
ELECTRIC FOUR WHEEL
PNEUMATIC TIRE FORKLIFTS



TOUGH WORLD. TOUGH EQUIPMENT.

CLG2020A-S SPECIFICATIONS >>>

General	Model	1			2020A-S	
	Power Type	2			Electric	
	Base Capacity	3	@ rated load center	kg	2,000	
	Load Center	4		mm	500	
Weights	Service Weight	5	unloaded with minimum weight battery	kg	3,500	
	Axle Load	6	loaded, front / rear	kg	4,841 / 659	
		7	unloaded, front / rear	kg	1,660 / 1,840	
Tires	Tires	8	Tire Type		Pneumatic	
	Wheels	9	front / rear		2 / 2	
	Wheelbase	10		mm	1,510	
	Tire Size	11	front		23x9-10-16PR	
		12	rear		18x7-8-14PR	
	13	front / rear		970 / 880		
Mast	Max. Fork Height	14	with std 2 - stage mast	mm	3,000	
	Freelift	15	with std 2 - stage mast	mm	140	
	Height, Upright Lowered	16	with std 2 - stage mast	mm	2,055	
	Height, Upright Extended	17	with std 2 - stage mast	mm	4,115	
	Mast Tilt, Fwd / Back	18	with std 2 - stage mast	deg	6° / 7°	
	Carriage	19	width	mm	1,040	
	Fork Spread	20	minimum / maximum	mm	222 / 1,010	
	Fork Dimensions	21	T x W x L	mm	40 x 100 x 1,070	
	Chassis	Length to Fork Face	22	with std 2 - stage mast	mm	2,220
		Overall Width	23		mm	1,200
Overhead Guard Height		24		mm	2,050	
Turning Radius		25	minimum outside	mm	2,050	
Fork Overhang		26	with std 2 - stage mast	mm	445	
Right Angle Stack		27	add load length and clearance	mm	3,655	
Ground Clearance		28	minimum loaded	mm	95	
		29	center of wheelbase	mm	115	
Battery Compartment		30	length / width / height	mm	655 / 880 / 680	
Performance		Travel Speed	31	loaded / unloaded	kph	15 / 15
	Lift Speed	32	loaded / unloaded	m/s	0.35 / 0.5	
	Lower Speed	33	loaded / unloaded	m/s	0.52 / 0.48	
	Max. Drawbar Pull	34	5 min. rating	kg	1,150	
		35	60 min. rating	kg	204	
Max. Gradeability	36	5 min. rating	%	13		
Systems	Controllers	37	drive / hydraulic (make, type)		SME, AC	
	Motors	38	drive output (60 min. rating)	kW	8	
		39	hydraulic output (15 min. rating)	kW	15	
	Battery	40	type		Lead Acid	
		41	voltage		48	
		42	max. capacity (6 hour rating)	Ah	560	
		43	weight, minimum / maximum	kg	900 / 1,200	



Guangxi Liugong Machinery Co., Ltd.

No. 1 Liutai Road, Liuzhou, Guangxi 545007, PR China
T: +86 772 3886124 E: overseas@liugong.com
www.liugong.com

06/2014 Designed by LiuGong

Specifications and designs are subject to change without notice. Machines shown may include optional equipment.