

Model 2015A-T
Capacity @ 500 mm LC 1,500 kg
Power Type Electric
Controller SME

CLG2015A-T

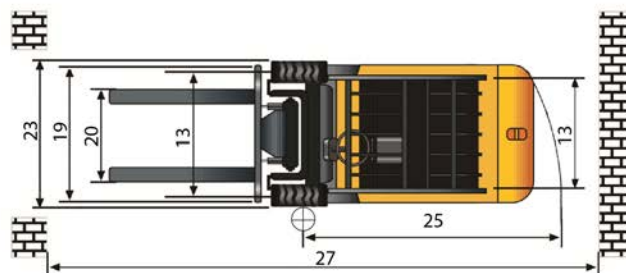
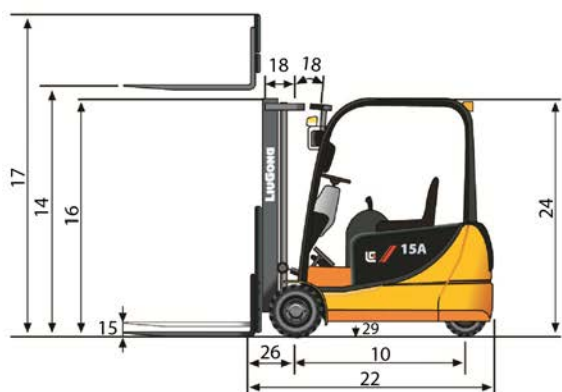
ELECTRIC THREE WHEEL
PNEUMATIC TIRE FORKLIFTS



TOUGH WORLD. TOUGH EQUIPMENT.

CLG2015A-T SPECIFICATIONS >>>

General	Model	1			2015A-T	
	Power Type	2			Electric	
	Base Capacity	3	@ rated load center	kg	1,500	
	Load Center	4		mm	500	
Weights	Service Weight	5	unloaded with minimum weight battery	kg	3,050	
	Axle Load	6	loaded, front / rear	kg	3,992 / 558	
		7	unloaded, front / rear	kg	1,522 / 1,528	
Tires	Tires	8	Tire Type		Pneumatic	
	Wheels	9	front / rear		2 / 2	
	Wheelbase	10		mm	1,340	
	Tire Size	11	front		18 x 7 - 8	
		12	rear		15 x 4.5 - 8	
	Tread Width	13	front / rear		925 / 180	
	Mast	Max. Fork Height	14	with std 2 - stage mast	mm	3,000
Freelift		15	with std 2 - stage mast	mm	135	
Height, Upright Lowered		16	with std 2 - stage mast	mm	2,045	
Height, Upright Extended		17	with std 2 - stage mast	mm	4,090	
Mast Tilt, Fwd / Back		18	with std 2 - stage mast	deg	6° / 7°	
Carriage		19	width	mm	1,040	
Fork Spread		20	minimum / maximum	mm	222 / 1,010	
Fork Dimensions		21	T x W x L	mm	35 x 100 x 920	
Chassis		Length to Fork Face	22	with std 2 - stage mast	mm	1,935
		Overall Width	23		mm	1,110
	Overhead Guard Height	24		mm	2,025	
	Turning Radius	25	minimum outside	mm	1,550	
	Fork Overhang	26	with std 2 - stage mast	mm	385	
	Right Angle Stack	27	add load length and clearance	mm	3,135	
	Ground Clearance	28	minimum loaded	mm	60	
		29	center of wheelbase	mm	105	
	Battery Compartment	30	length / width / height	mm	565 / 830 / 675	
	Performance	Travel Speed	31	loaded / unloaded	kph	15 / 15
Lift Speed		32	loaded / unloaded	m/s	0.35 / 0.5	
Lower Speed		33	loaded / unloaded	m/s	0.5 / 0.4	
Max. Drawbar Pull		34	5 min. rating	kg	1,275	
		35	60 min. rating	kg	316	
Max. Gradeability		36	5 min. rating	%	20	
Systems	Controllers	37	drive / hydraulic (make, type)		SME, AC	
	Motors	38	drive output (60 min. rating)	kW	13	
		39	hydraulic output (15 min. rating)	kW	15	
	Battery	40	type		Lead Acid	
		41	voltage		48	
		42	max. capacity (6 hour rating)	Ah	480	
		43	weight, minimum / maximum	kg	760 / 920	



Guangxi Liugong Machinery Co., Ltd.

No. 1 Liutai Road, Liuzhou, Guangxi 545007, PR China
T: +86 772 3886124 E: overseas@liugong.com
www.liugong.com

06/2014 Designed by LiuGong

Specifications and designs are subject to change without notice. Machines shown may include optional equipment.