



Engine	Shangchai
Net Power	126 kW (169 hp) @ 2,300 rpm
Vibration Frequency Range	32 / 28 Hz
Centrifugal Force Range	400 kN / 210 kN
Working Width	2,130 mm
Operating Weight	20,000 kg

620H



Single Drum Hydrostatic Vibratory Roller

ENGINE

Emission Regulation	Tier 2 / Stage II
Make	Shangchai
Gross Power	140 kW (190 hp) @ 2,300 rpm
Net Power	126 kW (169 hp) @ 2,300 rpm
Peak Torque	720 N · m
Number of Cylinders	6
Aspiration	turbo-air-to-air aftercooled
Cooling Type	water

ELECTRICAL SYSTEM

System Voltage	24 V
----------------	------

DRIVE TRAIN

Theoretical Gradeability, without/with Vibration	45 %
Transmission Type	hydrostatic
Maximum Speed, fwd	10 km/h
Inside Turning Radius	<4,370 mm
Outside Turning Radius	<6,500 mm

AXLES

Steering System	hydraulic
Steering Method	articulation
Steering Angle	± 35°
Axle Oscillation	N / A
Steering Relief Pressure	16 MPa
Differential Rear Type	limited slip

BRAKES

Service Brake Type	dry hydraulic
Service Brake Actuation	hydraulic
Parking Brake Actuation	mechanical apply; hydraulic release

TIRES

Tire Size	23.1 - 26 - 12 PR
Tire Tread	G - 23

HYDRAULIC SYSTEM

Main Pump Type	piston pump + piston pump
Main Relief Pressure	42 + 35 MPa

PERFORMANCE

Static Linear Front Drum Load	598 kg-mm
Number of Vibrating Drums	1
Nominal Amplitude Range	1.9 / 1.0 mm
Vibration Frequency Range	32 / 28 Hz
Centrifugal Force Range	400 / 210 kN
Number of Amplitude Settings	2

OPERATING WEIGHTS

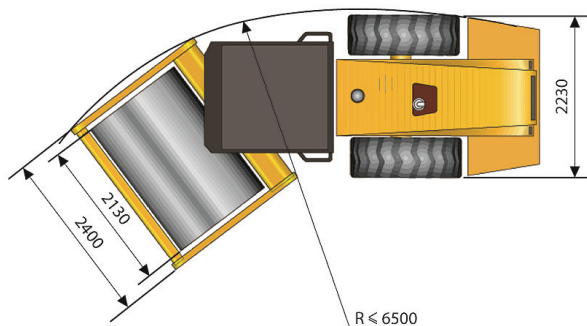
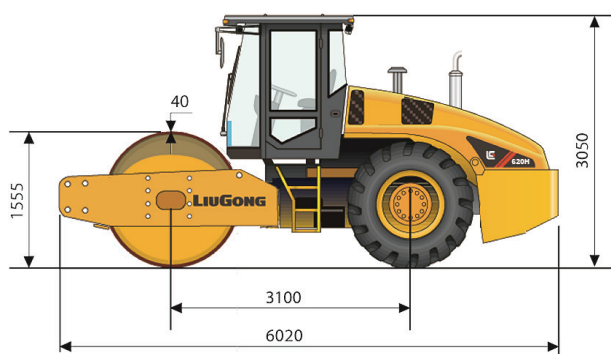
Operating Weight with Ballast	20,000 kg
Weight on Front Drum	13,000 kg
Weight on Tires	7,000 kg

SERVICE CAPACITIES

Fuel Tank	320 L
Engine Oil	19 L
Cooling System	32 L

OPTIONAL EQUIPMENT

Padfoot Drum Segment Kit (PDH)
Rotary Beacon
Backup Alarm



Unit: mm

Guangxi Liugong Machinery Co., Ltd.

No. 1 Liutai Road, Liuzhou, Guangxi 545007, PR China
T: +86 772 388 6124 E: overseas@liugong.com
www.liugong.com

03/2013 Designed by LiuGong

Specifications and designs are subject to change without notice. Machines shown may include optional equipment.