

Engine	Cummins 6CTAA8.3
Rated Power	194 kW (260 hp) @ 2,200 rpm
Net Power	175 kW (235 hp) @ 2,200 rpm
Blade Width	4,572 mm
Maximum Speed	36.6 km/h
Draw Bar Pull	145 kN
Operating Weight	20,400 kg

425-6WD MOTOR GRADER



TOUGH WORLD. TOUGH EQUIPMENT.

425-6WD SPECIFICATIONS >>>

ENGINE

Emission Regulation	Tier 2 / Stage II
Make	Cummins
Model	6CTAA8.3
Rated Power	194 kW (260 hp) @ 2,200 rpm
Net Power	175 kW (235 hp) @ 2,200 rpm
Peak Torque	1,100 N • m @ 1,400 rpm
Torque Rise %	30 %
Number of Cylinders	6
Aspiration	turbo air-to-air aftercooled

TRANSMISSION

Transmission Type	power shift
Transmission Configuration	6f / 3r
Torque Converter	three – member single turbine
Maximum Travel Speed, fwd	36.6 km/h
Maximum Travel Speed, rev	23 km/h
Number of Speeds, fwd	6
Number of Speeds, rev	3

AXLES

Differential Type	locking
Final Drive Type	geared tandem
Axle Oscillation	15°
Front Axle Type	all welded steel frame
Front Axle, Wheel Lean Angle	left / right 17°

STEERING

Steering Configuration	load sensor steering gear
Steering Relief Pressure	17 MPa
Minimum Turning Radius	8,000 mm
Steering Angle	±51°
Frame Articulation Angle	±20°

BRAKES

Service Brake Type	wet multi disc
Service Brake Location	rear axle

TIRES

Tire Size	20.5 - 25
-----------	-----------

HYDRAULIC SYSTEM

Main Pump Type	gear
Main Relief Pressure	18 MPa
Pilot Pump Flow	126 L/min

WORKING CAPACITIES

Maximum Draw Pull	145 kN
Cutting Pressure	9,300 kg

TANDEM DRIVE PERFORMANCE

Height	610 mm
Width	210 mm
Center Distance	1,592 mm
Oscillating Angle	±13°

MOLDBOARD PERFORMANCE

Bank Cut Angle	40~70°
Moldboard Lift Above Ground	405 mm
Moldboard Side Shift, right / left	725 / 675 mm
Maximum Sloping Angle	90°
Cutting Depth	600 mm
Circle Rotation	360°
Circle Diameter	1,576 mm
Circle Thickness	150 mm

DIMENSIONS

Wheelbase	6,520 mm
Overall Length	9,588 mm
Overall Height with Cab	3,636 mm
Clearance under Front Axle	620 mm
Moldboard Standard Length	4,572 mm
Moldboard Standard Thickness	25 mm
Moldboard Standard Height	680 mm

OPERATING WEIGHTS

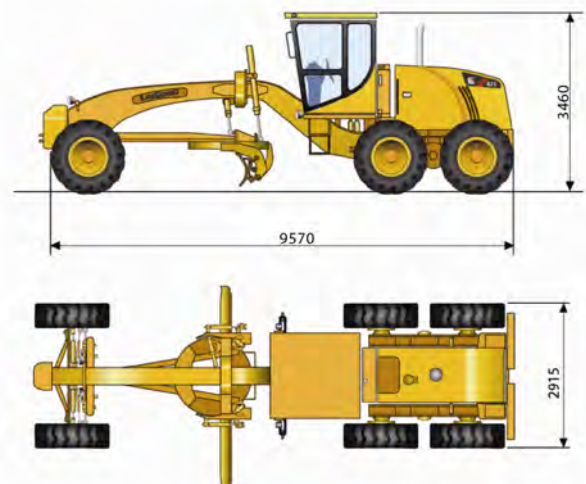
Operating Weight	20,400 kg
On Front Wheels	6,150 kg
On Rear Wheels	14,250 kg

SERVICE CAPACITIES

Fuel Tank	460 L
Engine Oil	30 L
Cooling System	60 L
Hydraulic Reservoir	200 L
Transmission And Torque Converter	45 L
Tandems, Each	30 L

OPTIONAL EQUIPMENT

Rear Ripper
Front Dozer
Automatic Leveling System
Rotary Beacon



Guangxi Liugong Machinery Co., Ltd.

No. 1 Liutai Road, Liuzhou, Guangxi 545007, PR China

T: +86 772 3886124

E: overseas@liugong.com

www.liugong.com

Specifications and designs are subject to change without notice. Machines shown may include optional equipment.

05/2014 Designed by Liugong