

Engine	Cummins 6CTA8.3
Rated Power	172 kW (230 hp) @ 2,200 rpm
Net Power	155 kW (208 hp) @ 2,200 rpm
Blade Width	4,270 mm
Maximum Speed	42 km/h
Draw Bar Pull	92 kN
Operating Weight	16,700 kg

4230 MOTOR GRADER



TOUGH WORLD. TOUGH EQUIPMENT.

4230 SPECIFICATIONS >>>

ENGINE

Emission Regulation	Tier 2 / Stage II
Make	Dongfeng Cummins
Model	6CTA8.3
Rate Power	172 kW (230 hp) @ 2,200 rpm
Net Power	155 kW (208 hp) @ 2,200 rpm
Peak Torque	1000 N. m @ 1,500 rpm
Torque Rise %	34 %
Number of Cylinders	6
Aspiration	turbo air-to-air aftercooled

TRANSMISSION

Transmission Type	power shift
Transmission Configuration	6f / 3r
Torque Converter	three - member single turbine
Maximum Travel Speed, fwd	42 km/h
Maximum Travel Speed, rev	26 km/h
Number of Speeds, fwd	6
Number of Speeds, rev	3

AXLES

Differential Type	limited slip standard
Final Drive Type	chain drive
Axle Oscillation	15°
Front Axle Type	all welded steel frame
Front Axle, Wheel Lean Angle	left / right 17°

STEERING

Steering Relief Pressure	15-17 MPa
Minimum Turning Radius	7,800 mm
Steering Angle	±45°
Frame Articulation Angle	±20°

BRAKES

Service Brake Type	shoe
--------------------	------

TIRES

Tire Size	17.5-25 L3
-----------	------------

HYDRAULIC SYSTEM

Main Pump Type	gear
Main Relief Pressure	18±0.5 MPa
Pilot Pump Flow	118 L/min

TANDEM DRIVE PERFORMANCE

Height	600 mm
Width	210 mm
Center Distance	1,538 mm
Oscillating Angle	±15°

MOLDBOARD PERFORMANCE

Bank Cut Angle	40-70°
Moldboard Lift Above Ground	450 mm
Moldboard Side Shift, right / left	725 / 675 mm
Maximum Sloping Angle	90°

Moldboard Standard Length	4,270 mm
Cutting Depth	555 mm
Circle Rotation	360°
Circle Diameter	1,455 mm

WORKING CAPACITIES

Maximum Draw Pull	92 kN
Cutting Pressure	7,800 kg

DIMENSIONS

Wheelbase	6,230 mm
Overall Length	9,385 mm
Overall Height with Cab	3,580 mm
Clearance under Front Axle	580 mm

OPERATING WEIGHTS

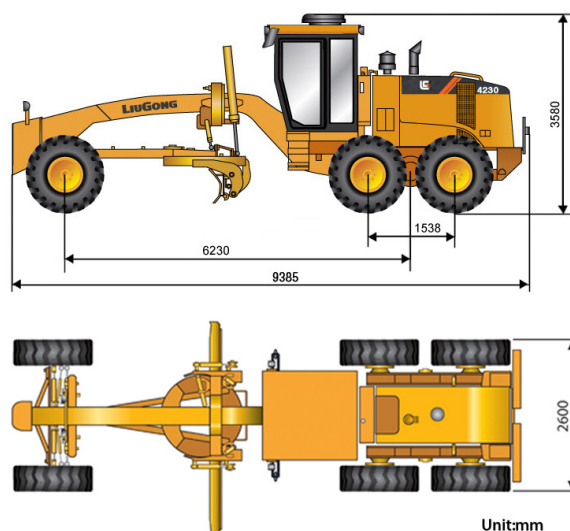
Operating Weight	16,700 kg
On Front Wheels	5,010 kg
On Rear Wheels	11,690 kg

SERVICE CAPACITIES

Fuel Tank	270 L
Engine Oil	22 L
Cooling System	45 L
Hydraulic Reservoir	186 L
Transmission And Torque Converter	45 L
Tandems, Each	28 L

OPTIONAL EQUIPMENT

- Rear Ripper
- Front Dozer
- Ultrasonic Automatic Leveling System
- Rotary Beacon
- ROPS/FOPS
- Frictional flake worm box
- G2 tyre & Radial & Tubeless tyre



Unit:mm

Guangxi Liugong Machinery Co., Ltd.

No. 1 Liutai Road, Liuzhou, Guangxi 545007, PR China
T: +86 772 3886124 E: overseas@liugong.com
www.liugong.com

Specifications and designs are subject to change without notice. Machines shown may include optional equipment.

06/2014 Designed by Liugong