

S-Series

Rocker Switches

PRODUCT WEBPAGE

request sample, configure part



S-Series rocker switches are designed for use in the enclosed cabs of today's trucks, with special focus afforded to the vehicle operator. With features including abbreviated travel ½ throw actuation, ergonomic rockers, illumination in up to three detent switch positions, and a non-teasable snap action circuit, these switches provide the driver with easily recognizable and simple to operate controls.

1-2	.4-10	12-28
Poles	Amps	VDC Max

Typical Applications

• On/Off-Highway • Marine

Tech Specs

Electrical

Contact Rating	10A @ 28VDC
Dielectric Strength	1500 Volts RMS between pole to pole
Insulation Resistance	50 Megaohms
Contact Resistance	10 milliohms max. @ 4VDC
Contact Bounce	<20 milliseconds
Life	100,000 cycles maintained circuit, 50,000 cycles momentary circuit at rated voltage and current gold plated
Circuitry	SP, DP 2 & 3 position, 1/2 or full throw
Terminals	.110 Tabs, Silver Plated Brass

Physical

Lighted	LED - rated 100,000 hours 1/2 life (LED is internally ballasted for voltages to 24VDC.)
Bracket	Acetal
Base	Nylon 66 GF
Rocker	Polycarbonate
Weight	25 gms max.

Connector

Amp/Tyco MCP 2.8 receptacle housing P/N 1418994-1 mates with Amp/Tyco MCP 2.8 flat type receptacle. Based on wire size, choose P/N below:

1-968880-1	20-24 awg wire
1-968849-1	17-20 awg wire
1-968851-1	13.5-17 awg wire

Actuator Travel (Angular Displacement)

2 position (1/2 throw)	12°
3 position (full throw)	12° from center

Environmental

Operating Temp.	-40°C to +85°C
Vibration	Per IEC 68-2.6 test Fc and 68-2.47 Test Criteria - no noise or contact chatter below 10ms.
Cold Test	Per IEC 68-2-1 -40°C for 72 hours Test Criteria - pre & post test contact resistance.
Dry Heat Test Criteria	Per IEC 68-2-2 + 85°C for 72 hours Test Criteria - no loss of circuit during test, pre & post test contact resistance.
Handling Shock	Drop from height of 1 meter, 3 times, 4 sides. Test criteria - No loss of circuit during test, pre & post test contact resistance.
Thermal Shock	Per IEC 68-2-14, -40°C to +85°C. Test criteria - pre & post test contact resistance.

Mounting Specifications

Snap in Mount	40mm x 20mm keyed hole (see dimensional specs for details.)
---------------	---

Ordering Scheme

Sample Part Number

S 18 A A R F 0 4 - M Z Z Z 00 - 1 00 00

Selection 1 2 3 4 5 6 7 8 9 10 11 12 13 14 15 16

1. SERIES

S

2. CIRCUIT

Terminal Connections as viewed () - momentary from bottom of switch:

1 - - 2 SP - single pole uses terminals
3, 5 & 7.
3 - - 4 DP - double pole uses terminals 3, 5, 7 & 4, 6, 8.
5 - - 6
7 - - 8
9 - - 10

Position:

SP	DP	1	2	3
16	26	5 & 7, 6 & 8	Connected Terminals	3 & 5, 4 & 6
18	28	(ON)	OFF	ON
		(ON)	OFF	(ON)

SPECIAL CIRCUITS

31		(6 & 8)	4, 5, 6, 7	OFF
41	51	(ON)	OFF	NONE ¹
42	52	(ON)	OFF	NONE ¹
43	53	(ON)	3 & 5	NONE ¹
44	54	ON	3 & 5	NONE ¹
45	55	(ON)	OFF	ON
46	56	NONE	5 & 7	ON
47	57	NONE	5 & 7	(ON)
	75	(5 & 7, 3 & 6)	5 & 7, 4 & 6	(3 & 5, 4 & 6)
	98 ²	(5 & 7, 2 & 6)	5 & 7, 4 & 6	(5 & 9, 4 & 6)

3. RATING

1 0.4VA 28VDC Resistive
A³ 10.5mA 1.5A 28VDC,
5A 28V 50A Inrush Lamp Load
B⁴ 3.5A 28VDC, 18A Inrush
C³ 10mA 10A 28VDC
D³ 20mA 10A 14VDC

4. ILLUMINATION

S	Lamps	Illumination Type	Lamp wired to Terminals
A	1	INDEPENDENT	-
C	1	INDEPENDENT	1 (+) 2 (-)
	2	INDEPENDENT	1 (+) 2 (-)
D	1	INDEPENDENT	9 (+) 2 (-)
	2	INDEPENDENT	1 (+) 2 (-)
E	1 & 3	INDEPENDENT	9 (+) 10 (-)
		PARALLEL	1 (+) 2 (-)
F	1	INDEPENDENT	1 (+) 10 (-)
		SNAP	-
G	1 & 2	INDEPENDENT	1 (+) 10 (-)
		DEPENDENT	9 (+) 2 (-)
H	1 & 2	INDEPENDENT	1 (+) 2 (-)
		DEPENDENT	1 (+) 2 (-)
J	1, 2 & 3	INDEPENDENT	9 (+) 10 (-)
		DEPENDENT	1 (+) 2 (-)
		DEPENDENT	5 (+) 10 (-)
K	1 & 2	INDEPENDENT	1 (+) 2 (-)
		INDEPENDENT	1 (+) 2 (-)
		INDEPENDENT	9 (+) 10 (-)
		3.3K RESISTOR IN PARALLEL	-

5,6,7. LAMP (SAME CODING FOR ALL 3 SELECTIONS)

Selection 5: specifies lamp 1 located above terminals 1 (+) & 2 (-).
Selection 6: specifies lamp 2 located in center of rocker.
Selection 7: specifies lamp 3 located above terminals 9 (+) & 10 (-).

No lamp	0				
LED	Red	Orange	Yellow	Green	
12VDC	A	C	E	H	
24VDC	B	D	F	J	

8. BRACKET COLOR

1 Black 4 Dark Carbon

9. ACTUATOR

Standard Rocker, Laser Etched
Black Titan Gray Dark Carbon
M N R

10, 11, 12. LEGEND COLOR

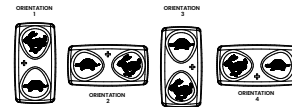
Z No Legend 1 Clear

13. LEGEND 1⁵

00 No legend

14. LEGEND ORIENTATION

0 No legend
1 Orientation 1
2 Orientation 2
3 Orientation 3
4 Orientation 4



15,16. LEGEND 2,3⁶

00 No legend

Notes:

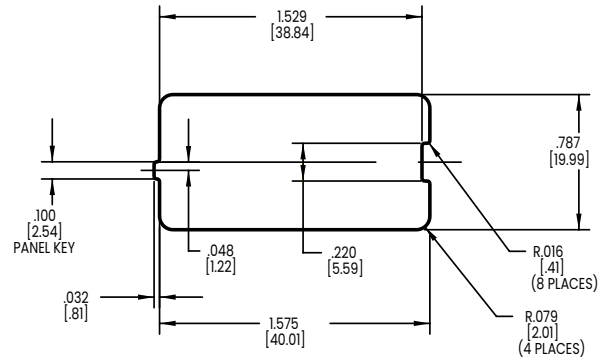
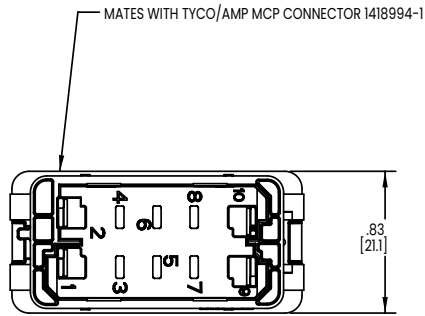
- Indicates 1/2 travel for actuator.
- Snap-Action Contact Mechanism
- Not available with circuit 98.
- Available with circuit 98 only.
- Located over T1-2.
- Legend 2 located in center of rocker, Legend 3 located over T9-10. Legend 2 options are limited due to a very small marking area. Consult factory for specifics.

[Configure Complete Part Number >](#)

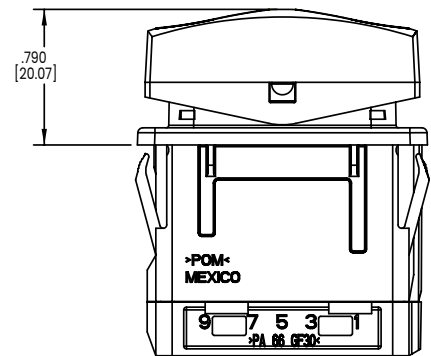
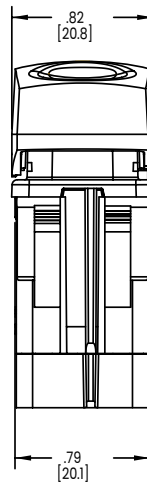
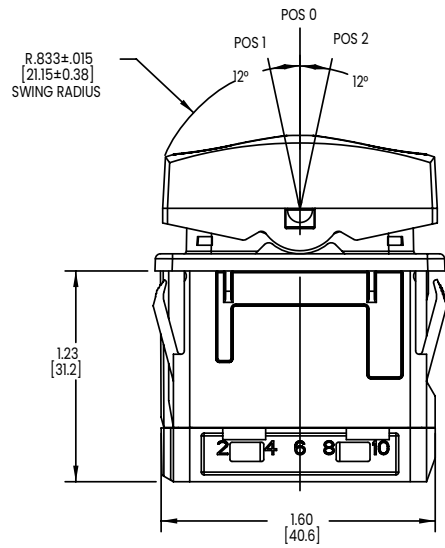
[Browse Standard Parts >](#)

Dimensional Specs

inches [millimeters]



PANEL THICKNESS: 2.5±0.1mm
 PANEL OPENING CLEARANCE: ±5°
 SCALE 2.000



Authorized Sales Representatives and Distributors

Click on a region of the map below to find your local representatives and distributors or visit www.carlingtech.com/findarep.



About Carling

Founded in 1920, Carling Technologies is a leading manufacturer of electrical and electronic switches and assemblies, circuit breakers, electronic controls, power distribution units, and multiplexed power distribution systems. With six ISO9001 and IATF16949 registered manufacturing facilities and technical sales offices worldwide, Carling Technologies Sales, Service and Engineering teams do much more than manufacture electrical components, they engineer powerful solutions! To learn more about Carling please visit www.carlingtech.com/company-profile.

To view all of Carling's environmental, quality, health & safety certifications please visit www.carlingtech.com/environmental-certifications.

© Carling Technologies, Inc.

5. Carling is a registered trademark of Carling Technologies, Inc. in the U.S. and other countries.