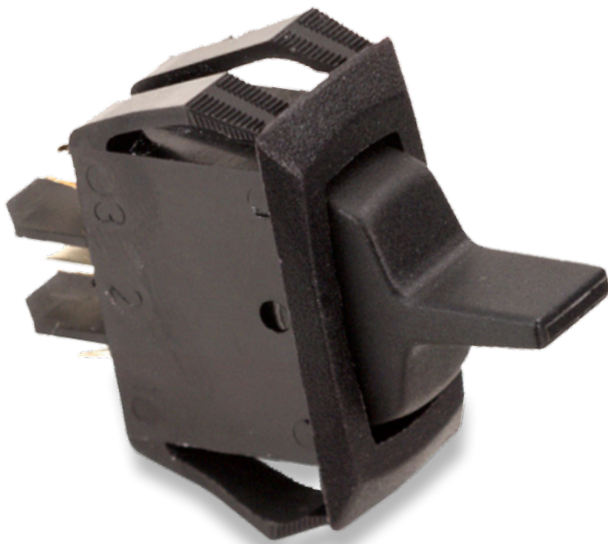


# R/RSC-Series

Single Pole Lighted Rocker & Paddle Switches

**PRODUCT WEBPAGE**

*request sample, configure part*



Since its introduction, the Corvette switch has become the barometer for versatility and performance in the switch market. Self cleaning contacts, international approvals, along with a wide variety of circuits, ratings, and actuator options make the Corvette the switch of choice for many markets.

|          |              |                |             |
|----------|--------------|----------------|-------------|
| <b>1</b> | <b>10-20</b> | <b>125-250</b> | <b>6-24</b> |
| Pole     | Amps         | VAC            | VDC         |

## Typical Applications

- Office Lighting
- HVAC
- Commercial Food
- Medical Equipment
- Appliance
- On-Highway
- Lawn & Garden

# Tech Specs

## Dielectric Strength

UL/CSA: 1000V - live to dead metal parts  
 VDE: 4000V - live to dead metal parts;  
 750V - across open contacts

## Electrical Life

100,000 cycles

## Operating Temperature

32°F to 185°F (0°C to 85°C)

# Ordering Scheme

Sample Part Number **RA901 - V B - B - 9 - V**

Selection 1 2 3 4 5 6

### 1. SERIES

**10A 250 VAC; 16A 125 VAC; 3/4 HP 125-250 VAC; 10(4) A 250 VACu T85**

|                            |              |              |              |
|----------------------------|--------------|--------------|--------------|
|                            | Solder Lugs  | .250 Tabs    | Wire Leads   |
| OFF-NONE-ON                | <b>RA900</b> | <b>RA901</b> | <b>RA905</b> |
| ON-NONE-ON                 | <b>RB900</b> | <b>RB901</b> | <b>RB905</b> |
| ON-OFF-ON <sup>3</sup>     | <b>RC910</b> | <b>RC911</b> | <b>RC915</b> |
| OFF-NONE-(ON) <sup>2</sup> | <b>RD220</b> | <b>RD221</b> | <b>RD225</b> |

**15A 250 VAC; 20A 125 VAC; 3/4 HP 125-250 VAC**

|             |                |                |
|-------------|----------------|----------------|
|             | Solder Lugs    | .250 Tabs      |
| OFF-NONE-ON | <b>RSCA200</b> | <b>RSCA201</b> |
| ON-NONE-ON  | <b>RSCB200</b> | <b>RSCB201</b> |

### 2. ACTUATOR STYLE

|                           |                                |
|---------------------------|--------------------------------|
| <b>M</b> Momentary Rocker | <b>R</b> Rocker                |
| <b>P</b> Paddle           | <b>V</b> Visi-rocker (2 color) |

### 3. ACTUATOR COLOR

|                        |                        |
|------------------------|------------------------|
| <b>1</b> Black (gloss) | <b>B</b> Black (matte) |
| <b>2</b> White (gloss) | <b>W</b> White (matte) |

### 4. BEZEL COLOR

|                        |   |                        |   |
|------------------------|---|------------------------|---|
| <b>STANDARD</b>        |  | <b>OVAL</b>            |  |
| <b>B</b> Black (matte) |   | <b>1</b> Black (gloss) |   |
| <b>W</b> White (matte) |   | <b>2</b> White (gloss) |   |

### 5. ROCKER LEGEND

|                   |           |           |
|-------------------|-----------|-----------|
|                   | molded in | hot stamp |
| NO LEGEND         | <b>0</b>  | <b>0</b>  |
| Off-On vertical   | <b>1</b>  | <b>A</b>  |
| Off-On horizontal | <b>2</b>  | <b>B</b>  |
| O-I horizontal    | <b>8</b>  | <b>D</b>  |
| O-I vertical      | <b>9</b>  | <b>E</b>  |
| dual OFF-ON/O-I   | n/a       | <b>H</b>  |

### 6. VISI-ROCKER END / LEGEND COLOR

|                |                   |
|----------------|-------------------|
| <b>N</b> N/A   | <b>V</b> Visi-red |
| <b>B</b> Black | <b>W</b> White    |

Notes: PC Terminals also available, consult factory for details.

1 For additional ratings, consult factory.

2 Rating is 8A 250 VAC, 12A 125 VAC, 1/2 HP 125-250 VAC, and must specify M actuator style.

3 Not rated at 3/4 HP 125-250 VAC

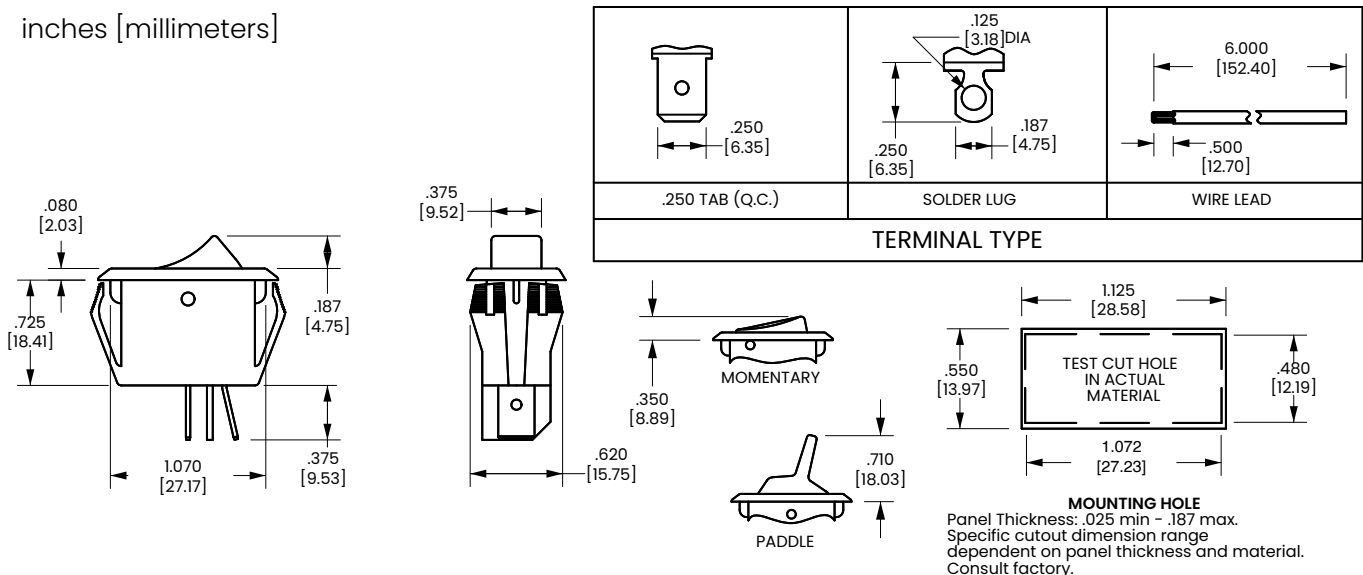
( ) indicates momentary function.

[Configure Complete Part Number >](#)

[Browse Standard Parts >](#)

# Dimensional Specs

inches [millimeters]



## Authorized Sales Representatives and Distributors

Click on a region of the map below to find your local representatives and distributors or visit [www.carlingtech.com/findarep](http://www.carlingtech.com/findarep).



## About Carling

Founded in 1920, Carling Technologies is a leading manufacturer of electrical and electronic switches and assemblies, circuit breakers, electronic controls, power distribution units, and multiplexed power distribution systems. With six ISO9001 and IATF16949 registered manufacturing facilities and technical sales offices worldwide, Carling Technologies Sales, Service and Engineering teams do much more than manufacture electrical components, they engineer powerful solutions! To learn more about Carling please visit [www.carlingtech.com/company-profile](http://www.carlingtech.com/company-profile).

To view all of Carling's environmental, quality, health & safety certifications please visit [www.carlingtech.com/environmental-certifications](http://www.carlingtech.com/environmental-certifications).

© Carling Technologies, Inc.

3. Carling, Curvette, Visi-Rocker are registered trademarks of Carling Technologies, Inc. in the U.S. and other countries.