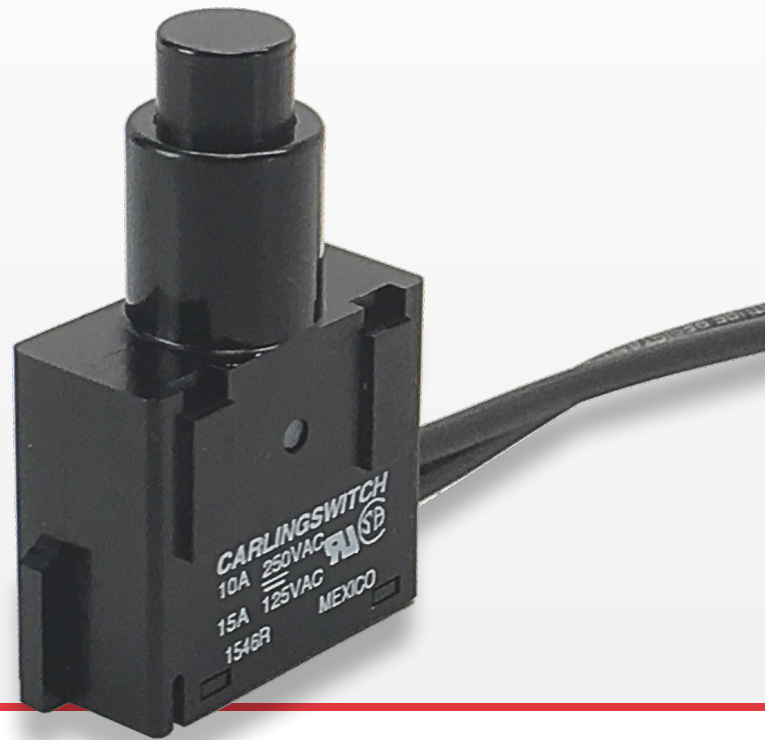


PP-Series

Pushbutton Switches

[PRODUCT WEBPAGE](#)

request sample, configure part



The PP-Series plastic pushbutton switches are heavy duty, single pole switches with wire leads. They are alternate action, available in single throw construction, with AC ratings up to 15 amps. Both bushing and bracket are made out of nylon. These high current switches are popular within the Appliance market.

1 Pole **10-15** Amps **125-250** VAC

Typical Applications

- Vacuum Cleaners

Tech Specs

Dielectric Strength

UL/CSA: 1000V - live to dead
metal parts & opposite polarity

Electrical Life

50,000 cycles

Operating Temperature

32°F to 185°F (0°C to 85°C)

Ordering Scheme

Sample
Part Number

PPA525-AC

Selection

1

1. SERIES

10A 250VAC, 15A 125VAC, 3/4HP 125-250VAC
On-Off
10A 250VAC, 15A 125VAC
On-Off

Wire Leads
PPA525-AC
PAA515-AC

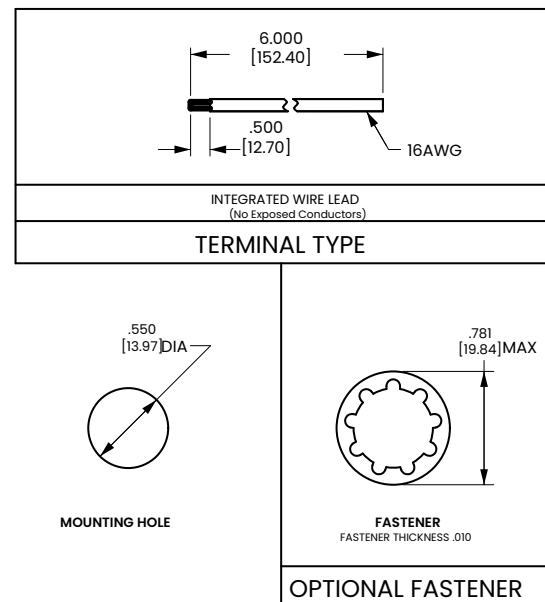
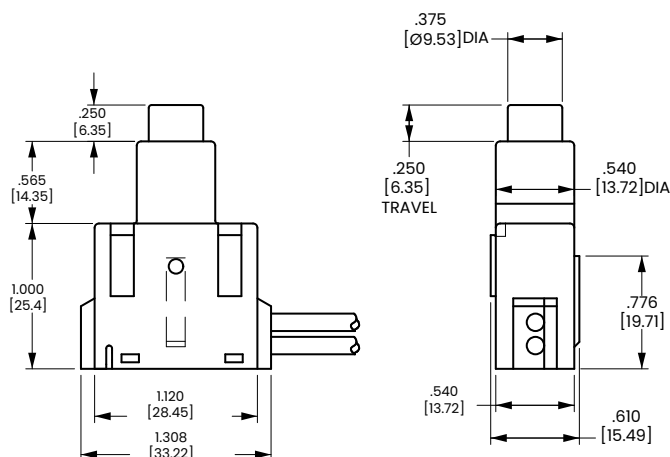
Notes:
() Indicates momentary function.

[Configure Complete Part Number >](#)

[Browse Standard Parts >](#)

Dimensional Specs

inches [millimeters]



Authorized Sales Representatives and Distributors

Click on a region of the map below to find your local representatives and distributors or visit www.carlingtech.com/findarep.



About Carling

Founded in 1920, Carling Technologies is a leading manufacturer of electrical and electronic switches and assemblies, circuit breakers, electronic controls, power distribution units, and multiplexed power distribution systems. With six ISO9001 and IATF16949 registered manufacturing facilities and technical sales offices worldwide, Carling Technologies Sales, Service and Engineering teams do much more than manufacture electrical components, they engineer powerful solutions! To learn more about Carling please visit www.carlingtech.com/company-profile.

To view all of Carling's environmental, quality, health & safety certifications please visit www.carlingtech.com/environmental-certifications.

© Carling Technologies, Inc.

3. Carling is a registered trademark of Carling Technologies, Inc. in the U.S. and other countries.