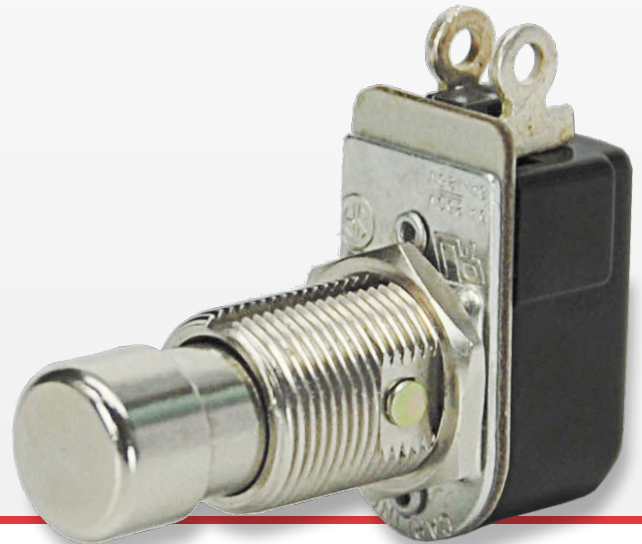


P26-Series

Pushbutton Switches

[PRODUCT WEBPAGE](#)

request sample, configure part



The P26-Series pushbutton switches are single pole, AC rated for 6 amps at 125 VAC and suitable for shallow back panel applications. These switches are momentary action with a medium actuation force (13 oz. typical). The P26-Series switch is equipped with a slow-make, slow-break contact mechanism.

1	3-6	125-277	125
Pole	Amps	VAC	VDC

Typical Applications

- Intercoms
- Security System
- Electronic Signs
- Marine
- Lighting

Tech Specs

Dielectric Strength

UL/CSA: 1000V - live to dead metal parts

Electrical Life

25,000 cycles

Operating Temperature

32°F to 185°F (0°C to 85°C)

Ordering Scheme

Sample Part Number **P26L - 1D - BL**

Selection 1 2 3

1. SERIES

Single Pole	Solder Lug	.250 Tab	Wire Leads
3A 250VAC, 6A 125 VAC, 3/4A 125V	P26A	P26B	P26F
Off - (On)			
On - (Off)	P26L	-	P26T
3A 277VAC, 6A 125 VAC¹			
Off - (On)	P267A	P267B	P267F
On - (Off)	P267L	-	P267T

2. BUSHING STYLE

	length	diameter
1A	.406	.375
1B	.406	.468
1C	.465	.375
1D³	.465	.468

3. BUTTON STYLE / COLOR

BL	Black Nylon	RND MTL²	Round Metal
RD	Red Nylon	CON MTL²	Concave Metal

Notes:

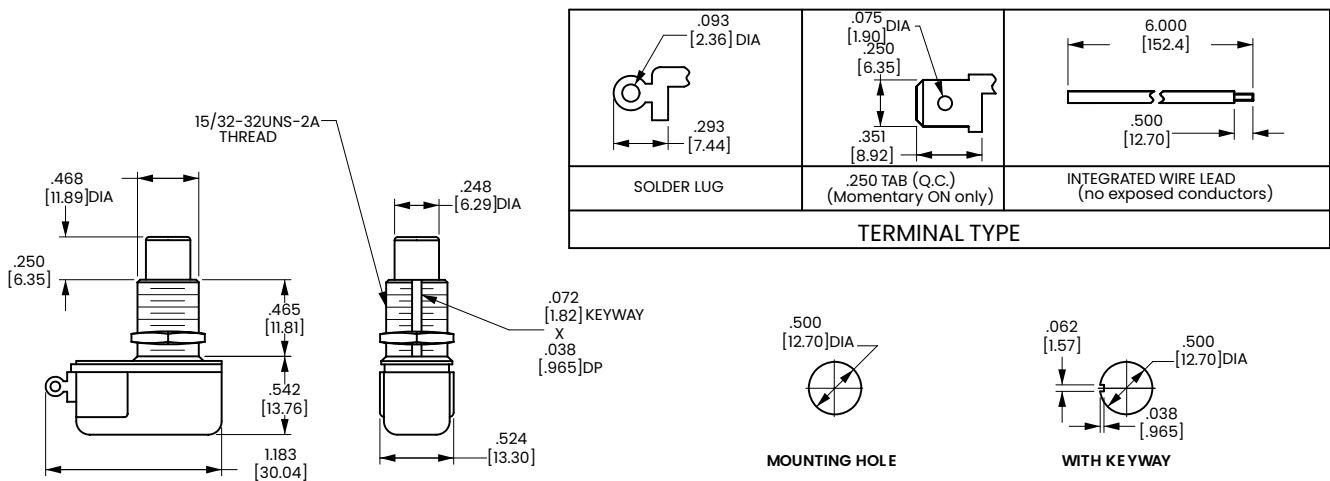
- Additional ratings available. Consult factory for details
 - Only available with 1D bushing in .562 length
 - Length is .562 for RND MTL and CON MTL buttons
- () Indicates momentary function.

[Configure Complete Part Number >](#)

[Browse Standard Parts >](#)

Dimensional Specs

inches [millimeters]



Authorized Sales Representatives and Distributors

Click on a region of the map below to find your local representatives and distributors or visit www.carlingtech.com/findarep.



About Carling

Founded in 1920, Carling Technologies is a leading manufacturer of electrical and electronic switches and assemblies, circuit breakers, electronic controls, power distribution units, and multiplexed power distribution systems. With six ISO9001 and IATF16949 registered manufacturing facilities and technical sales offices worldwide, Carling Technologies Sales, Service and Engineering teams do much more than manufacture electrical components, they engineer powerful solutions! To learn more about Carling please visit www.carlingtech.com/company-profile.

To view all of Carling's environmental, quality, health & safety certifications please visit www.carlingtech.com/environmental-certifications.

© Carling Technologies, Inc.

3. Carling is a registered trademark of Carling Technologies, Inc. in the U.S. and other countries.