



Carling Technologies®
 /// NOW PART OF



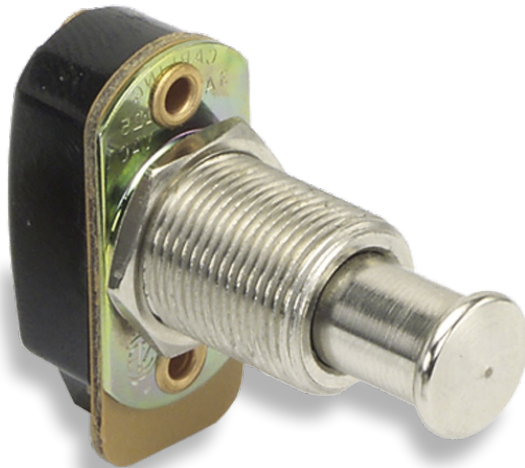
Littelfuse®

16-3P-Series

Pushbutton Switches

PRODUCT WEBPAGE

request sample, configure part



The 16-3P-Series pushbutton switches are single pole and AC rated up to 3 amps. These momentary action switches have a slow-make, slow-break contact mechanism and require only light actuation force (4 oz. - 1 lb.). These switches are typically used in general purpose applications requiring finger actuation.

1 Pole
1-3 Amps
125 VAC

Typical Applications

- Test & Measurement
- Audio-Visual

Tech Specs

Dielectric Strength

UL/CSA: 1000V - live to dead metal parts

Electrical Life

25,000 cycles

Operating Temperature

32°F to 185°F (0°C to 85°C)

Ordering Scheme

Sample Part Number 16-3POFF - 4 - CBL

Selection 1 2 3

1. SERIES

Single Pole	Solder Lug	Wire Leads
3A 125VAC Off-(On) Off-(On) with overtravel ¹ On-(Off)	16-3P Off 16-3P Off-Ov 16-3P On	16-3AP Off 16-3AP Off-Ov 16-3AP On
1A 125VAC On-On On-On with overtravel ¹ 1 On-1 Off (2 circuit) 1 On-1 Off with overtravel ¹ (2 circuit)	116-P 116-P-OV 516-P 516-P-OV	116-AP 116-AP-OV 516-AP 516-AP-OV

2. BUSHING STYLE

2 .312 length	4 .562 length
---------------	---------------

3. ACTUATOR STYLE 2

CBL Black plastic color cap	CRD Red plastic color cap
-----------------------------	---------------------------

Notes:

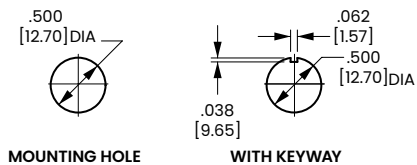
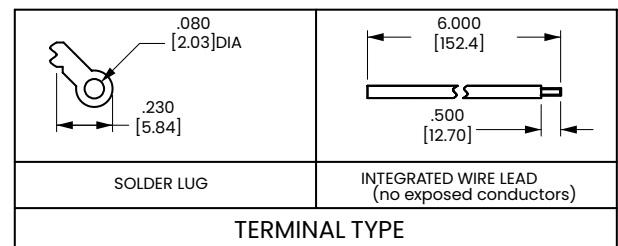
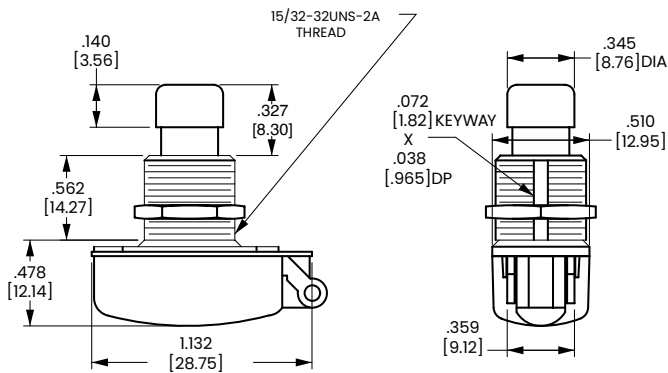
- Overtravel only available with #4 bushing.
 - When selection 3 is left blank, a standard nickel plated plunger is supplied.
- () Indicates momentary function.

[Configure Complete Part Number >](#)

[Browse Standard Parts >](#)

Dimensional Specs

inches [millimeters]



Authorized Sales Representatives and Distributors

Click on a region of the map below to find your local representatives and distributors or visit www.carlingtech.com/findarep.



About Carling

Founded in 1920, Carling Technologies is a leading manufacturer of electrical and electronic switches and assemblies, circuit breakers, electronic controls, power distribution units, and multiplexed power distribution systems. With six ISO9001 and IATF16949 registered manufacturing facilities and technical sales offices worldwide, Carling Technologies Sales, Service and Engineering teams do much more than manufacture electrical components, they engineer powerful solutions! To learn more about Carling please visit www.carlingtech.com/company-profile.

To view all of Carling's environmental, quality, health & safety certifications please visit www.carlingtech.com/environmental-certifications.