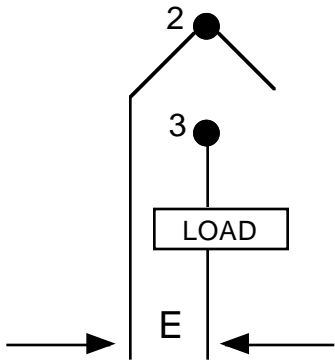
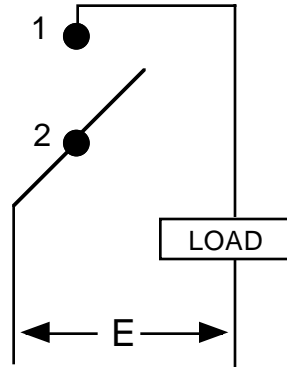


STANDARD SWITCH WIRING DIAGRAMS

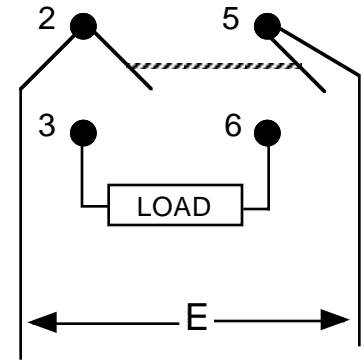
Carling Technologies Inc.



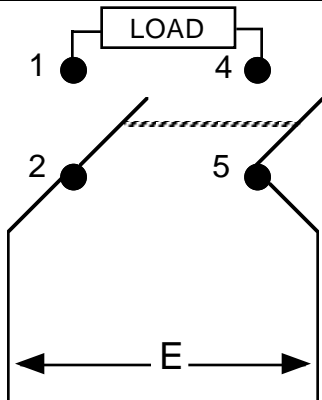
611, 621, 610, 620, TA, TILA, 2FA, 6FA, 2GA, 6GA, CA, DA Series



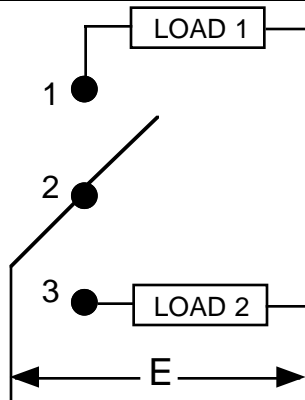
RA & RSCA Series



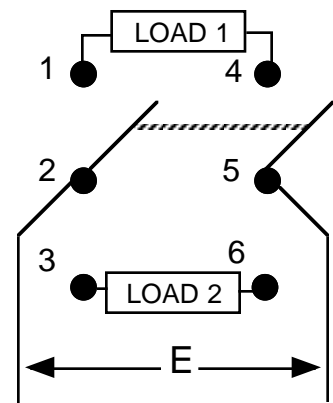
611, 621, 610, 620, TGC, TIGK, 2GK Series



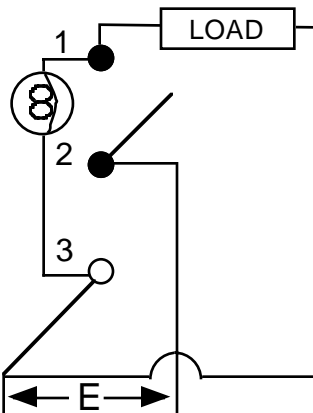
RGSCC Series



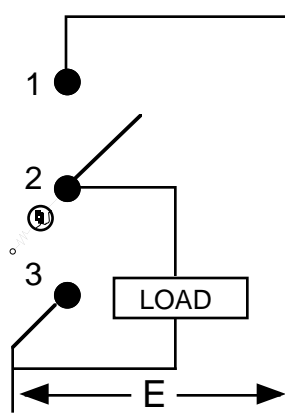
611, 621, 610, 620, TB, TC, TILB, TILC, 2FB, 2FC, 6FB, 6FC, CB, DB, DC Series



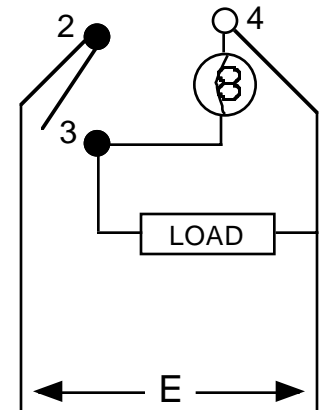
611, 621, 610, 620, TGD, TIGL, TIGM, 2GL, 2GM, 6GL, 6GM Series



LTA Series



LRA Series



LTGG, TLGG, LS³, LT³, LTI LA¹ Series

● Contact Terminal
will make contact with switching lever

○ Isolated Terminal
does not make contact with switching lever



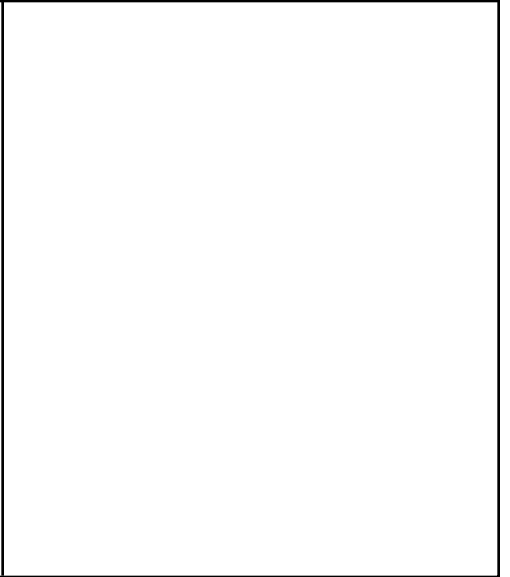
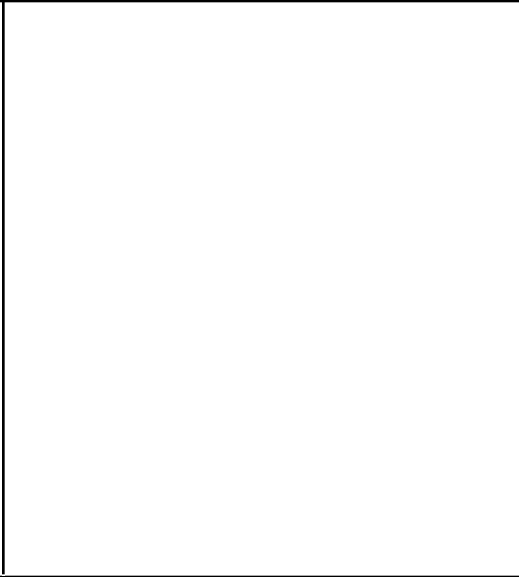
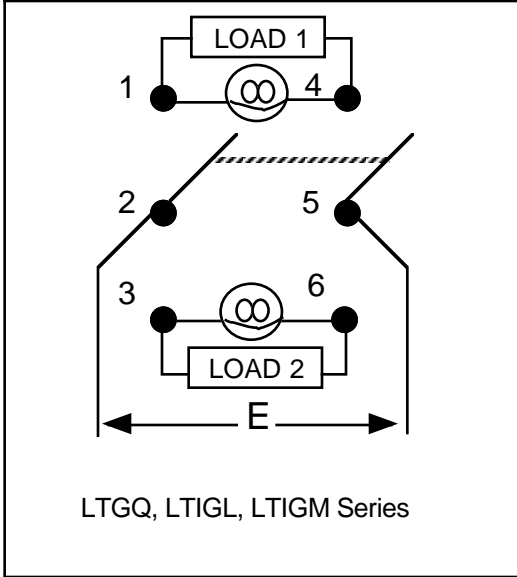
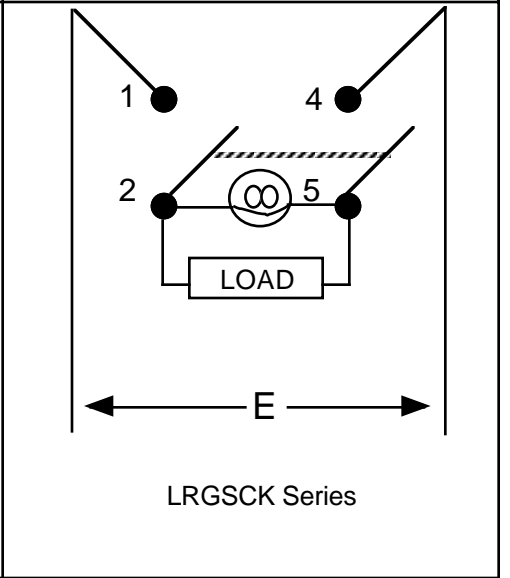
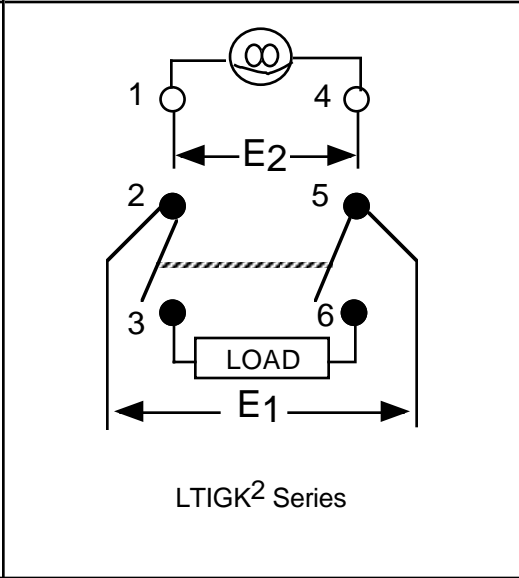
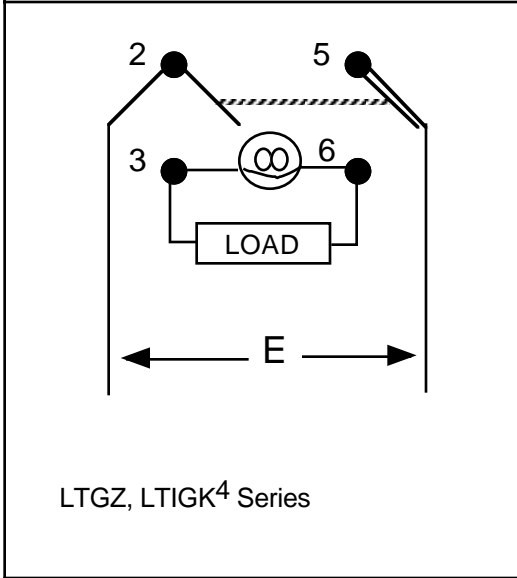
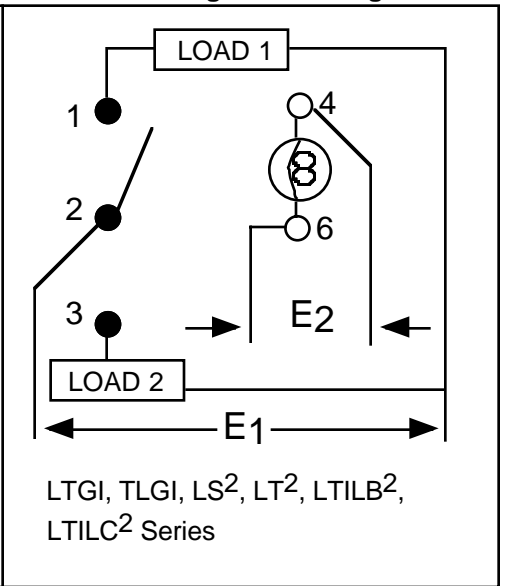
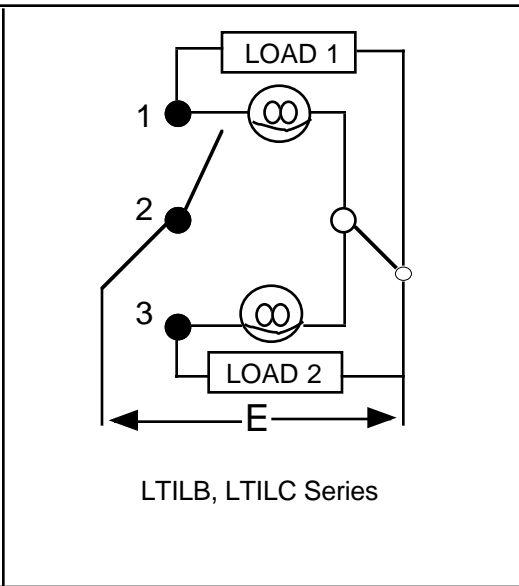
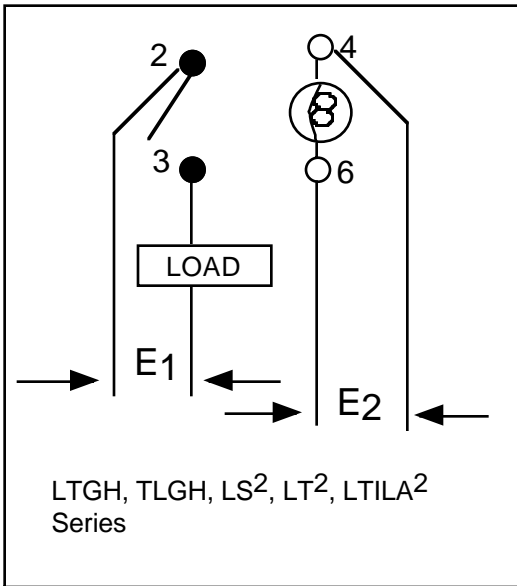
Bulb

● Contact Terminal
& Switch Lever

Notes: 1. with NBL Bracket Only
2. with Independent Lamp Circuit Only
3. with Lighting Sequences 10, 20, 30, 40, 50 Only
4. with WBL or MBL Brackets Only
LTI Series Switches shown with Nylon Brackets (NBL, WBL, MBL) Only, for other brackets or additional circuits, consult factory

STANDARD SWITCH WIRING DIAGRAMS

Carling Technologies Inc.



- Contact Terminal
will make contact with switching lever
- Isolated Terminal
does not make contact with switching lever

- ⊙ Bulb
- Contact Terminal & Switch Lever

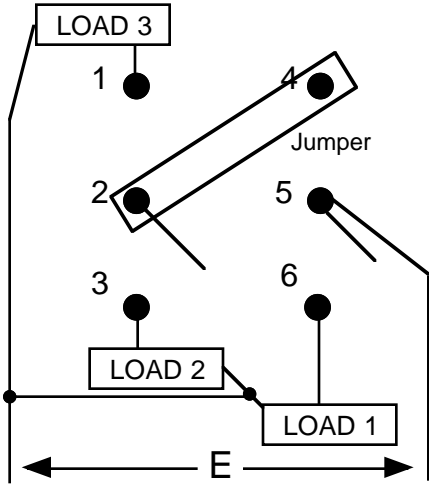
Notes:

1. with NBL Bracket Only
2. with Independent Lamp Circuit Only
3. with Lighting Sequences 10, 20, 30, 40, 50 Only
4. with WBL or MBL Brackets Only

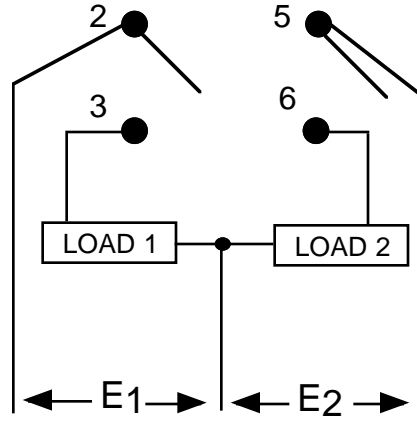
LTI Series Switches shown with Nylon Brackets (NBL, WBL, MBL) Only, for other brackets or additional circuits, consult factory

STANDARD SWITCH WIRING DIAGRAMS

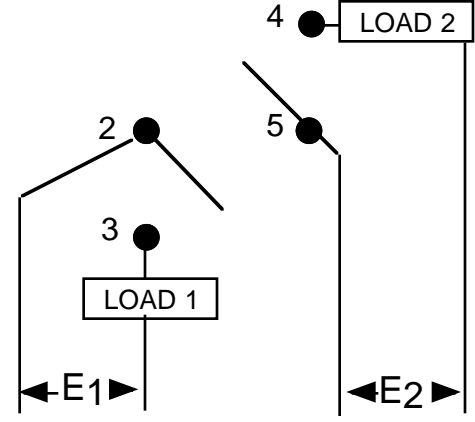
Carling Technologies Inc.



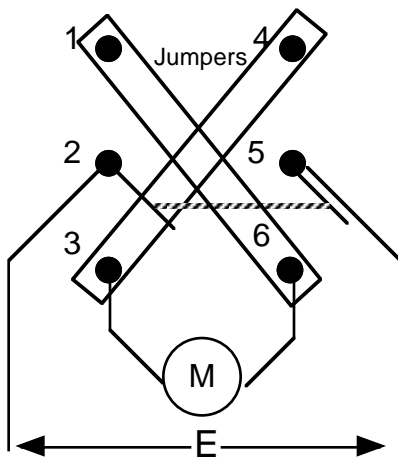
2GEM 6GE, TIGE Series



2GG, 6GG Series



2GH, TIGH Series



2GX, 2GO, 6GX, 6GO, TIGO, TIGX Series

- Contact Terminal
will make contact with switching lever
- Isolated Terminal
does not make contact with switching lever

- Bulb
- Contact Terminal & Switch Lever

- Notes:
1. with NBL Bracket Only
 2. with Independent Lamp Circuit Only
 3. with Lighting Sequences 10, 20, 30, 40, 50 Only
 4. with WBL or MBL Brackets Only
- LTI Series Switches shown with Nylon Brackets (NBL, WBL, MBL) Only, for other brackets or additional circuits, consult factory