

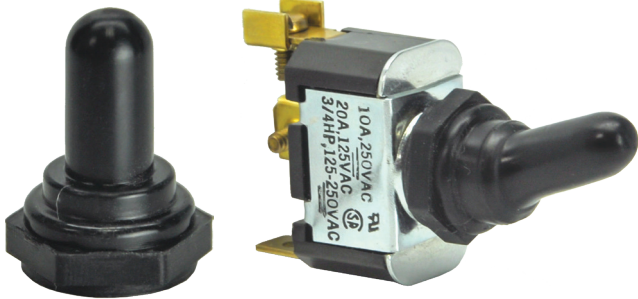
# Hexboot Accessories

Carling Technologies full or half hexboot is the perfect complement to Carling's line of toggle switches. The boot is compatible with 15/32" threaded bushings and will provide extra protection against the elements in harsh environments.

## Product Highlights:

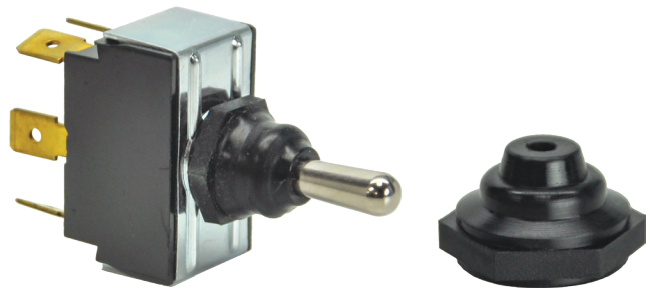
- Flexible tear-resistant silicone rubber overmolded onto a 15/32" brass hexnut
- Full hexboot completely covers toggle actuator and bushing
- Meets ROHS 2011/65/EU directive
- Inhibits the rotation of switches subjected to low frequency vibration
- Complementary, cost effective addition to Carling's toggle switches
- Suitable for toggle models: F-Series, G-Series, 110-Series, C-Series, D-Series, DK/EK-Series, H/I-Series, LT-Series

### Full Hexboot



Part #: 999-37246-001

### Half Hexboot

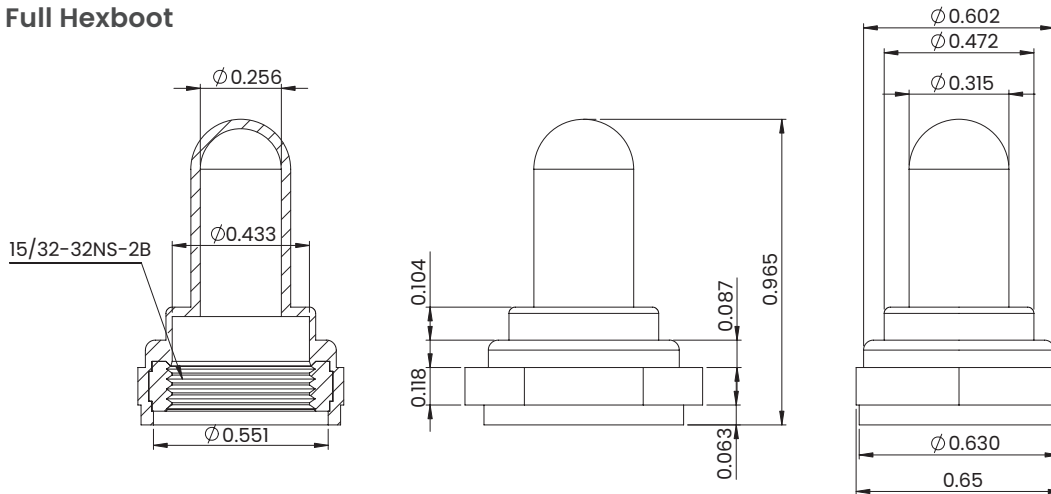


Part #: 999-37245-001

# Dimensional Specs

inches [millimeters]

## Full Hexboot



## Half Hexboot

