

NL141

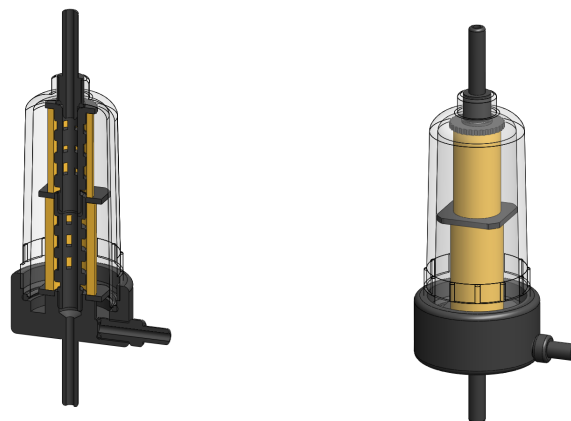
Twin Polyamide Filter Housing

Materials	Polyamide
Pressure	7 Bar
Ports	Ø1/4" or 1/8" NPT
Element	12.32.□ & 12.35.□

NL141 series filter housings are constructed entirely from polyamide - the bowl uses a clear polyamide. They are supplied with 1/8" NPT ports or push-on type spigots.

The twin-element design allows both a coalescing element and particulate element to be installed in a single housing making them ideal for portable analyser applications.

Standard housings have a Viton seal. Other seal types are available as an option. BSPT and BSPP port types are also available.



Technical Specifications

Housing Model	NL141.111	NL141.269
Port Size	1/8" NPT	Ø 1/4" Spigot
Drain	1/8" NPT	Manual
Maximum Pressure, Bar	7	7
Maximum Temperature, °C	50	50
Materials of Construction (1)		
Head, Bowl & Internals	PA	PA
Seals (2)	Viton	Viton
Filter Element Code - 1st Stage (3)	12.32.□	12.32.□
Filter Element Code - 2nd Stage	12.35.□	12.35.□
Principal Dimensions in mm		
Diameter	45	45
Height	120	150
Volume, cc	55	55
Weight, kg	0.05	0.05

Notes

(1) Material abbreviations, PA = Polyamide

(2) Add suffix for other seal types, Chemraz = .C, Nitrile = N, Kalrez = .K, EPDM = .E, Silicone = .S, (e.g. NL141.111.E)

(3) Replace the □ with the grade required, e.g. 12.35.8CK, & 12.32.6K



Contact Us

Classic Filters Ltd.
Sextant Park
Neptune Close
Rochester
Kent
England
ME2 4LU

T +44 (0)1634 724224
F +44 (0)1634 724234
E info@classicfilters.com
W www.classicfilters.com

Follow Us



<http://www.linkedin.com/company/classic-filters-ltd.>



<http://www.twitter.com/classicfilters>