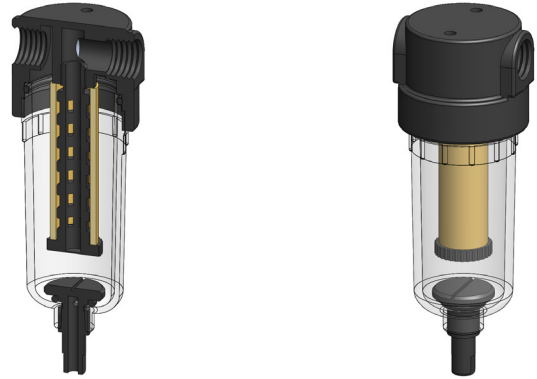


Materials Polyamide
Pressure 10 Bar
Ports 1/8" or 1/4"
Element 12.57.□

NN122 series filter housings are constructed entirely from polyamide - the bowl uses a clear polyamide. They are supplied with 1/8" or 1/4" ports and a range of drain options. These housings are suitable for compressed air systems and general filtration applications.

Standard housings have NPT ports and Viton seals. Other seal types are available as an option. BSPT and BSPP port types are also available.



Technical Specifications

Housing Model	NN122.101	NN122.111	NN122.161	NN122.201	NN122.211	NN122.261
Port Size	1/8" NPT	1/8" NPT	1/8" NPT	1/4" NPT	1/4" NPT	1/4" NPT
Drain	None	1/8" NPT	Manual	None	1/8" NPT	Manual
Maximum Pressure, Bar	10	10	10	10	10	10
Maximum Temperature, °C	50	50	50	50	50	50
Materials of Construction (1)						
Head, Bowl & Internals	PA	PA	PA	PA	PA	PA
Seals (2)	Viton	Viton	Viton	Viton	Viton	Viton
Filter Element Code (3)	12.57.□	12.57.□	12.57.□	12.57.□	12.57.□	12.57.□
Adsorber Cartridge Code (4)	12.57.AT□	12.57.AT□	12.57.AT□	12.57.AT□	12.57.AT□	12.57.AT□
Principal Dimensions in mm						
Diameter	45	45	45	45	45	45
Height	113	113	127	113	113	127
Volume, cc	55	55	55	55	55	55
Weight, kg	0.05	0.05	0.05	0.05	0.05	0.05
Accessories						
Mounting Bracket	MBSS11	MBSS11	MBSS11	MBSS11	MBSS11	MBSS11

Notes

- (1) Material abbreviations, PA = Polyamide
- (2) Add suffix for other seal types, Chemraz = .C, Nitrile = N, Kalrez = .K, EPDM = .E, Silicone = .S, (e.g. NN122.221.E)
- (3) Replace the □ with the grade required, e.g. 12.57.5CK, 12.57.T20
- (4) Replace the □ with the type required, e.g. 12.57.AT01



Contact Us

Classic Filters Ltd.
Sextant Park
Neptune Close
Rochester
Kent
England
ME2 4LU

T +44 (0)1634 724224
F +44 (0)1634 724234
E info@classicfilters.com
W www.classicfilters.com

Follow Us



<http://www.linkedin.com/company/classic-filters-ltd.>



<http://www.twitter.com/classicfilters>