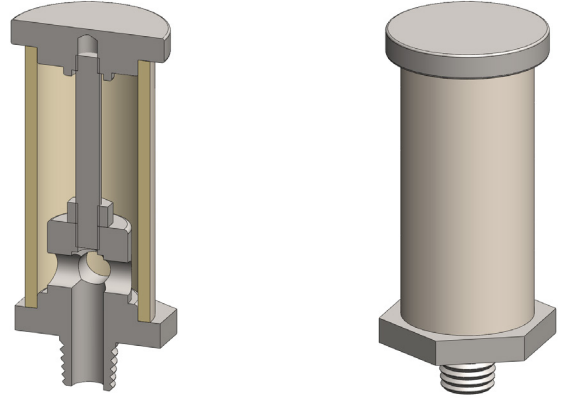


Materials 316L Stainless Steel
Ports 1/8" to 1/2"
Element 12.32.□ to 25.64.□

The SO series filter housings are constructed entirely from 316L stainless steel and are supplied with a range of connections.

The housings are suitable for gas and liquid end of line applications.

These housings have NPT male ports as standard.



Technical Specifications

Housing Model	SO110.101	SO110.201	SO120.101	SO120.201	SO210.201	SO210.401	SO230.201	SO230.401
Port Size	1/8" NPT	1/4" NPT	1/8" NPT	1/4" NPT	1/4" NPT	1/2" NPT	1/4" NPT	1/2" NPT
Maximum Temperature, °C	200	200	200	200	200	200	200	200
Materials of Construction (1)								
Head & Body	316L	316L	316L	316L	316L	316L	316L	316L
Filter Element Code (3)	12.32.□	12.32.□	12.57.□	12.57.□	25.64.□	25.64.□	25.178.□	25.178.□
Adsorber Cartridge Code (4)	12.32.AD□	12.32.AD□	12.57.AD□	12.57.AD□	25.64.AD□	25.64.AD□	25.178.AD□	25.178.AD□
Principal Dimensions in mm								
Diameter	19	19	19	19	38	38	38	38
Height	40	40	65	65	76	76	190	190
Weight, kg	0.1	0.1	0.1	0.1	0.15	0.15	0.17	0.17

Notes

(1) Material abbreviations, 316L Stainless Steel

(2) Replace the □ with the grade required, e.g. 12.32.5CK, 12.32.S20V, 12.32.T20



Contact Us

Classic Filters Ltd.
Sextant Park
Neptune Close
Rochester
Kent
England
ME2 4LU

T +44 (0)1634 724224
F +44 (0)1634 724234
E info@classicfilters.com
W www.classicfilters.com

Follow Us



<http://www.linkedin.com/company/classic-filters-ltd.>



<http://www.twitter.com/classicfilters>