

# HRT Series

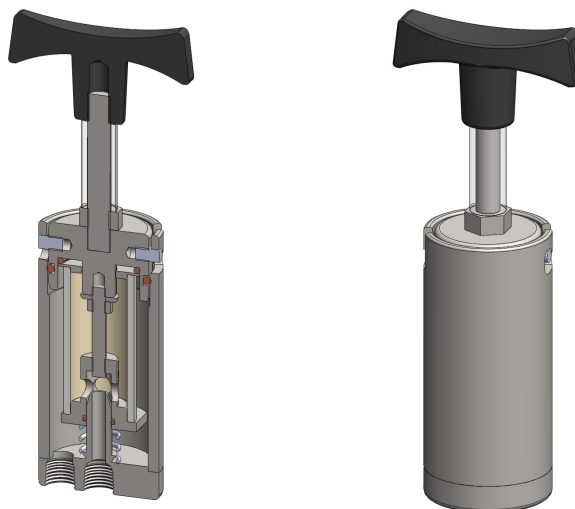
## Heatable Filter Housing

<b>Materials</b>	<b>316L SS</b>
<b>Pressure</b>	<b>7 Bar</b>
<b>Ports</b>	<b>1/4"</b>
<b>Element</b>	<b>25.64.□ &amp; 25.178.□</b>

The HRT series filter housings are designed for hot gas analysis, for example diesel exhaust. The housings can be heated by fitting a suitable heater to the body, installing in a heated enclosure. The bayonet connection allows fast filter element service even at operating temperatures.

The housings have the inlet and outlet ports in the end of the housing and a tie rod & element retainer.

Standard housings have NPT ports and include silicone seals. Viton seals are available as an option. BSPT and BSPP port types are also available.



## Technical Specifications

Housing Model	HRT211.201	HRT231.201
Port Size	1/4" NPT	1/4" NPT
Maximum Pressure, Bar	7	7
Maximum Temperature, °C	200	200
Port Position	End	End
Internals Type	Tie Rod	Tie Rod
<b>Materials of Construction (1)</b>		
Head & Internals	316L SS	316L SS
Seals (2)	Silicone	Silicone
Filter Element Code (3)	25.64.□	25.178.□
<b>Principal Dimensions in mm</b>		
Diameter	53	53
Height of Body	113	227
Length of Handle	90	90
Volume, cc	100	220
Weight, kg	1.25	2.0

### Notes

(1) Material abbreviations, 316L SS = 316L Stainless Steel

(2) Add suffix for other seal types, Chemraz = .C, Nitrile = N, Kalrez = .K, EPDM = .E, Viton = V (e.g. HST211.201.V)

(3) Replace the □ with the grade required, e.g. 25.64.5S



## Contact Us

**Classic Filters Ltd.**  
**Sextant Park**  
**Neptune Close**  
**Rochester**  
**Kent**  
**England**  
**ME2 4LU**

**T** +44 (0)1634 724224  
**F** +44 (0)1634 724234  
**E** [info@classicfilters.com](mailto:info@classicfilters.com)  
**W** [www.classicfilters.com](http://www.classicfilters.com)

## Follow Us



<http://www.linkedin.com/company/classic-filters-ltd.>



<http://www.twitter.com/classicfilters>