

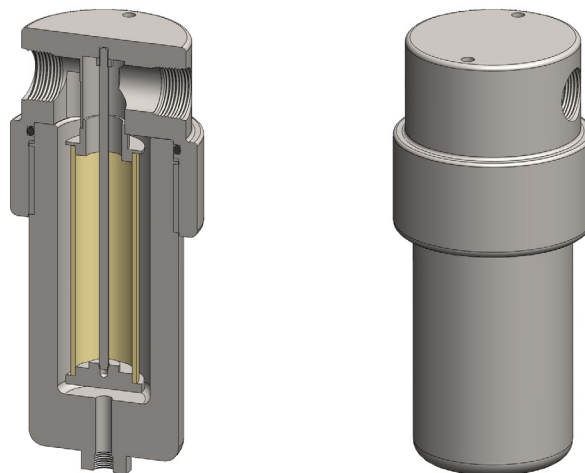
Materials 316L Stainless Steel
Pressure 400 Bar
Ports 3/4" or 1"
Element 38.152.□

SS328 series filter housings are specified for 400 Bar 3/4" and 1" line size applications. For applications up to 100 Bar see the SS325 series and for up to 200 Bar see the SS326 series.

Standard housings have NPT ports and a Viton seal. Other seal types are available as an option. BSPT and BSPP port types are also available.

The housings are free from welds and comply with NACE MR-01-75 and are CE marked in accordance with PED 97/23/EC.

These housings can also be supplied in a wide range of exotic materials, such as Hastelloy, Monel, Titanium etc.



Technical Specifications

Housing Model	SS328.501	SS328.521	SS328.541	SS328.601	SS328.621	SS328.641
Port Size	3/4" NPT	3/4" NPT	3/4" NPT	1" NPT	1" NPT	1" NPT
Drain	None	1/4" NPT	1/2" NPT	None	1/4" NPT	1/2" NPT
Maximum Pressure, Bar (1)	400	400	400	400	400	400
Maximum Temperature, °C (2)	200	200	200	200	200	200
Materials of Construction (3)						
Head, Bowl & Internals	316L SS	316L SS	316L SS	316L SS	316L SS	316L SS
Seal (4)	Viton	Viton	Viton	Viton	Viton	Viton
Filter Element Code (5)	38.152.□	38.152.□	38.152.□	38.152.□	38.152.□	38.152.□
Adsorber Cartridge Code (6)	38.152.AD□	38.152.AD□	38.152.AD□	38.152.AD□	38.152.AD□	38.152.AD□
Principal Dimensions in mm						
Diameter	110	110	110	110	110	110
Height	287	287	287	287	287	287
Volume, cc	710	710	710	710	710	710
Weight, kg	15.9	15.9	15.9	15.9	15.9	15.9
Accessories						
Support Core	SCSS32	SCSS32	SCSS32	SCSS32	SCSS32	SCSS32
Mounting Bracket	MBSS328	MBSS328	MBSS328	MBSS328	MBSS328	MBSS328

Notes

- (1) Above 200°C the pressure rating is reduced, consult us for the exact rating at any specific temperature
- (2) Maximum temperature 200°C using standard seal. For temperatures up to 324°C use a Chemraz seal
- (3) Material abbreviations, 316L SS = 316L Stainless Steel
- (4) Add suffix for other seal types, PTFE = .T, Chemraz = .C, Nitrile = N, Kalrez = .K, EPDM = .E, Silicone = .S, (e.g. SS328.501.T)
- (5) Replace the □ with the grade required, e.g. 38.152.SCK, 38.152.S20V, 38.152.T20
- (6) Replace the □ with the type required, e.g. 38.152.AD01



Contact Us

Classic Filters Ltd.
Sextant Park
Neptune Close
Rochester
Kent
England
ME2 4LU

T +44 (0)1634 724224
F +44 (0)1634 724234
E info@classicfilters.com
W www.classicfilters.com

Follow Us



<http://www.linkedin.com/company/classic-filters-ltd.>



<http://www.twitter.com/classicfilters>