

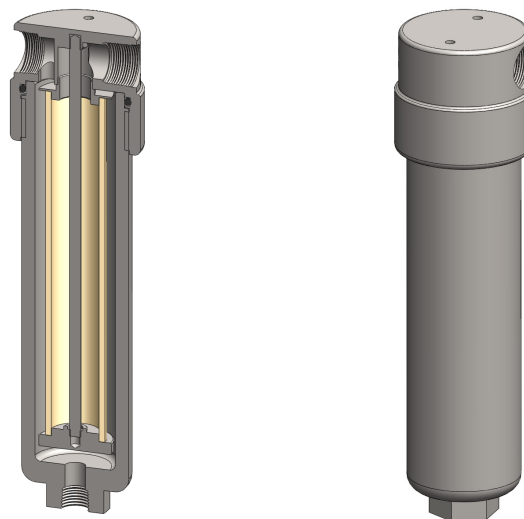
Materials 316L Stainless Steel
Pressure 200 Bar
Ports 1/4" or 1/2"
Element 25.178.□

SS236 series filter housings are specified for 200 Bar 1/4" & 1/2" applications where the flow rate or contamination is high, or where service intervals must be kept as long as possible. For applications less than 100 Bar see the SS235 series and for over 200 Bar see the SS238 series housings. The SS216 series offers a more compact design for lower flows.

Standard housings have NPT ports and a Viton seal. Other seal types are available as an option. BSPT and BSPP port types are also available.

The housings are free from welds and comply with NACE MR-01-75 and are CE marked in accordance with PED 97/23/EC.

These housings can also be supplied in a wide range of exotic materials, such as Hastelloy, Monel, Titanium etc.



Technical Specifications

Housing Model	SS236.201	SS236.221	SS236.401	SS236.421	SS236.441
Port Size	1/4" NPT	1/4" NPT	1/2" NPT	1/2" NPT	1/2" NPT
Drain	None	1/4" NPT	None	1/4" NPT	1/2" NPT
Maximum Pressure, Bar (1)	200	200	200	200	200
Maximum Temperature, °C (2)	200	200	200	200	200
Materials of Construction (3)					
Head, Bowl & Internals	316L SS	316L SS	316L SS	316L SS	316L SS
Seal (4)	Viton	Viton	Viton	Viton	Viton
Filter Element Code (5)	25.178.□	25.178.□	25.178.□	25.178.□	25.178.□
Adsorber Cartridge Code (6)	25.178.AD□	25.178.AD□	25.178.AD□	25.178.AD□	25.178.AD□
Principal Dimensions in mm					
Diameter	64	64	64	64	64
Height	248.5	248.5	248.5	248.5	248.5
Volume, cc	285	285	285	285	285
Weight, kg	3.05	3.05	3.05	3.05	3.05
Accessories					
Support Core	SCSS23	SCSS23	SCSS23	SCSS23	SCSS23
Mounting Bracket	MBSS21	MBSS21	MBSS21	MBSS21	MBSS21

Notes

- (1) Above 200°C the pressure rating is reduced, consult us for the exact rating at any specific temperature
- (2) Maximum temperature 200°C using standard seal. For temperatures up to 324°C use a Chemraz seal
- (3) Material abbreviations, 316L SS = 316L Stainless Steel
- (4) Add suffix for other seal types, PTFE = .T, Chemraz = .C, Nitrile = N, Kalrez = .K, EPDM = .E, Silicone = .S, (e.g. SS236.221.T)
- (5) Replace the □ with the grade required, e.g. 25.178.5CK, 25.178.S20V, 25.178.T20
- (6) Replace the □ with the type required, e.g. 25.178.AD01



Contact Us

Classic Filters Ltd.
Sextant Park
Neptune Close
Rochester
Kent
England
ME2 4LU

T +44 (0)1634 724224
F +44 (0)1634 724234
E info@classicfilters.com
W www.classicfilters.com

Follow Us



<http://www.linkedin.com/company/classic-filters-ltd.>



<http://www.twitter.com/classicfilters>