

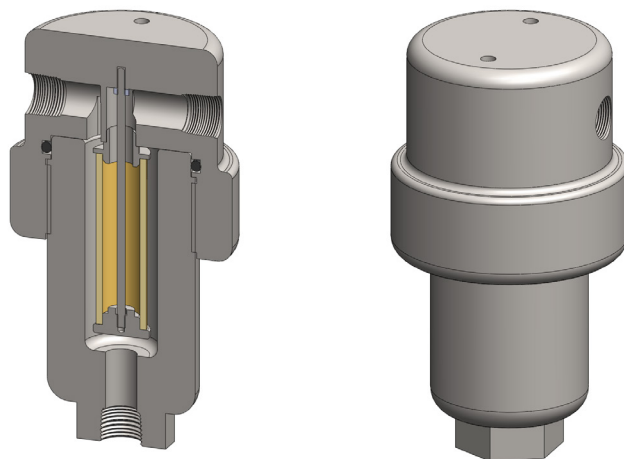
<b>Materials</b>	<b>316L Stainless Steel</b>
<b>Pressure</b>	<b>700 Bar</b>
<b>Ports</b>	<b>1/8" or 1/4"</b>
<b>Element</b>	<b>12.57.□</b>

SS129 series filter housings are specified for 1/8" & 1/4" line size applications up to 700 Bar where the flow rate or contamination is higher, or where service intervals must be kept as long as possible. SS119 series housings should be considered for applications where response time is critical. For applications less than 340 Bar see the SS127 series housings.

Standard housings have NPT ports and a Viton seal. Other seal types are available as an option. BSPT and BSPP port types are also available.

The housings are free from welds and comply with NACE MR-01-75 and are CE marked in accordance with PED 97/23/EC.

These housings can also be supplied in a wide range of exotic materials, such as Hastelloy, Monel, Titanium etc.



## Technical Specifications

Housing Model	SS129.101	SS129.111	SS129.201	SS129.221
Port Size	1/8" NPT	1/8" NPT	1/4" NPT	1/4" NPT
Drain	None	1/8" NPT	None	1/4" NPT
Maximum Pressure, Bar (1)	700	700	700	700
Maximum Temperature, °C (2)	200	200	200	200
<b>Materials of Construction (3)</b>				
Head, Bowl & Internals	316L SS	316L SS	316L SS	316L SS
Seal (4)	Viton	Viton	Viton	Viton
Filter Element Code (5)	12.57.□	12.57.□	12.57.□	12.57.□
Adsorber Cartridge Code (6)	12.57.AS□	12.57.AS□	12.57.AS□	12.57.AS□
<b>Principal Dimensions in mm</b>				
Diameter	65	65	65	65
Height	135	135	135	135
Volume, cc	40	40	40	40
Weight, kg	2.75	2.75	2.75	2.75
<b>Accessories</b>				
Support Core	SCSS12	SCSS12	SCSS12	SCSS12
Mounting Bracket	MBSS21	MBSS21	MBSS21	MBSS21

### Notes

- (1) Above 200°C the pressure rating is reduced, consult us for the exact rating at any specific temperature
- (2) Maximum temperature 200°C using standard seal. For temperatures up to 324°C use a Chemraz seal
- (3) Material abbreviations, 316L SS = 316L Stainless Steel
- (4) Add suffix for other seal types, PTFE = .T, Chemraz = .C, Nitrile = N, Kalrez = .K, EPDM = .E, Silicone = .S, (e.g. SS129.221.T)
- (5) Replace the □ with the grade required, e.g. 12.57.5CK, 12.57.S20V, 12.57.T20
- (6) Replace the □ with the type required, e.g. 12.57.AS01



## Contact Us

**Classic Filters Ltd.**  
**Sextant Park**  
**Neptune Close**  
**Rochester**  
**Kent**  
**England**  
**ME2 4LU**

**T** +44 (0)1634 724224  
**F** +44 (0)1634 724234  
**E** [info@classicfilters.com](mailto:info@classicfilters.com)  
**W** [www.classicfilters.com](http://www.classicfilters.com)

## Follow Us



<http://www.linkedin.com/company/classic-filters-ltd.>



<http://www.twitter.com/classicfilters>