

# Power Pavers INC.

Our Commitment Shows

**SF-3000 Slipform Paver**





---

# SF-3000 Slipform Paver

## Frame-Over High Production Concrete Paving Machine

---



SF-3000 has the size and power to handle large volumes of concrete. Here it is paving over steel reinforcement.



The SF-3000 is the machine of choice by contractors for highway and airport paving. This is our conventional frame-over designed paver. Easy to understand controls, excellent operator visibility, and the ability to transport without disassembly all contribute to its high productivity.

### ▲ Productivity

At 75,000 pounds (34,000kg), for a **32 foot (10m) paving width**, and 260 HP (193kw), the machine has the size, weight, and power for nearly every paving project. Sideforms are 30 inches (.76m) tall for containing concrete even during deep pours. Additionally, the simple controls with electronic sensors (**hydraulic sensors as an option**) keep the operator focused on the paving.

### ▲ Visibility

Visibility to the front of the machine is excellent and with the engine mounted off to the side, the operator has a clear path to the back of the platform minimizing his movement to see off the rear.

### ▲ Transportability

The SF-3000's hydraulic loading legs eliminate the need for disassembly on the jobsite. Simply lift the machine up and back the trailer underneath to transport at 14 feet (4.25m) wide. The transport width can be reduced to 12 feet (3.65m) wide by removing the tracks.

### ▲ Minimal Tie-In

When starting the day's pour, the machine's sideforms hydraulically widen 3 inches (7.6cm) and raise 2 inches (5cm) allowing the operator to back onto an existing header, minimizing hand tie-in work. And, with only 29 inches (74cm) of side clearance required, the machine has the ability to pave close to obstacles.

*Optional accessories are shown in red.*



The operator has great visibility to the front, back, and all around the paver and jobsite.



Hydraulic loading legs lift the entire machine allowing the trailer to back underneath. Quickly move the machine from job to job.



The sideforms widen allowing the machine to begin paving off an existing header. Hand tie-in work is minimized resulting in a better quality and smoother pavement.



# The Paving System

## Machine Features & Functions that make it all come together



Split, reversible augers and the strike-off beam are crownable and are keys to supplying a consistent volume of concrete across the full width of the paver.

### ▲ Tamper Bar

- Double tamper bar pushes larger aggregate below the surface of the pan, while mixing the concrete and minimizing crusting in the vibration chamber.
- Running on an eccentric cam, the two sides are staggered for smoother paving.
- Adjustable in speed of operation, tamper depth, and crown automatically with the profile pan.

### ▲ Vibrators

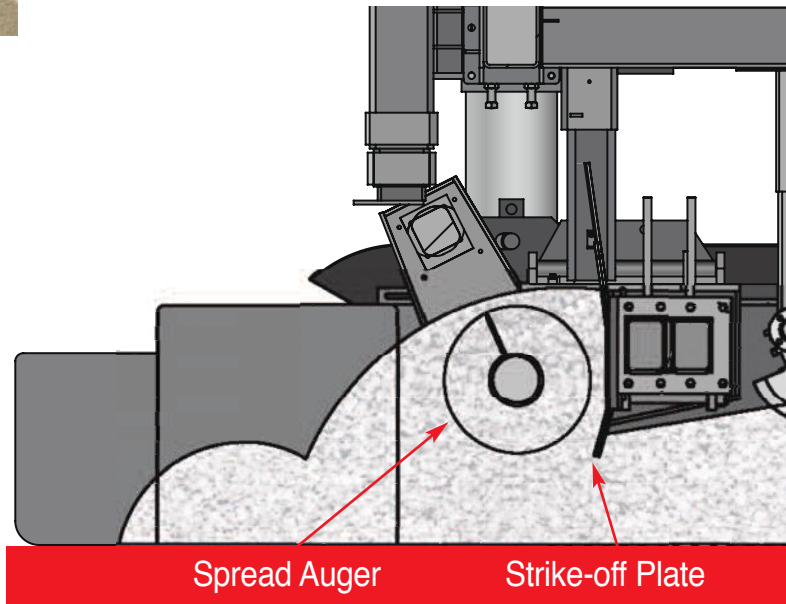
- Each has individual pressure compensated controls at the operator's fingertips.
- Vertical adjustment is operator controlled with a hydraulic powered lift system.
- Removable baffle plates are between vibrators for use on super-elevated curves.
- **Extra vibrators** are available to match the wider paving widths.
- A **vibrator monitoring system & smart vibrators** are available when monitoring is required.



Evenly spaced vibrators and the tamper bars consolidate and prepare the concrete as it flows under the profile pan.

### ▲ Spread Auger and Strike-off Beam

- 18 inch (45.7cm) diameter, split, reversible auger with hard-surfaced flighting.
- Each side is individually speed controlled.
- Evenly spreads concrete across the whole paving width which reduces the volume the machine has to push.
- Power crowning of the augers and strike-off beam are coordinated together with the profile pan.
- Augers and strike-off beam are tied to auto-grade, but are hydraulically adjustable for metering the concrete flow into the enclosed vibration chamber so a constant head pressure can be maintained.



### ▲ Paving Widths

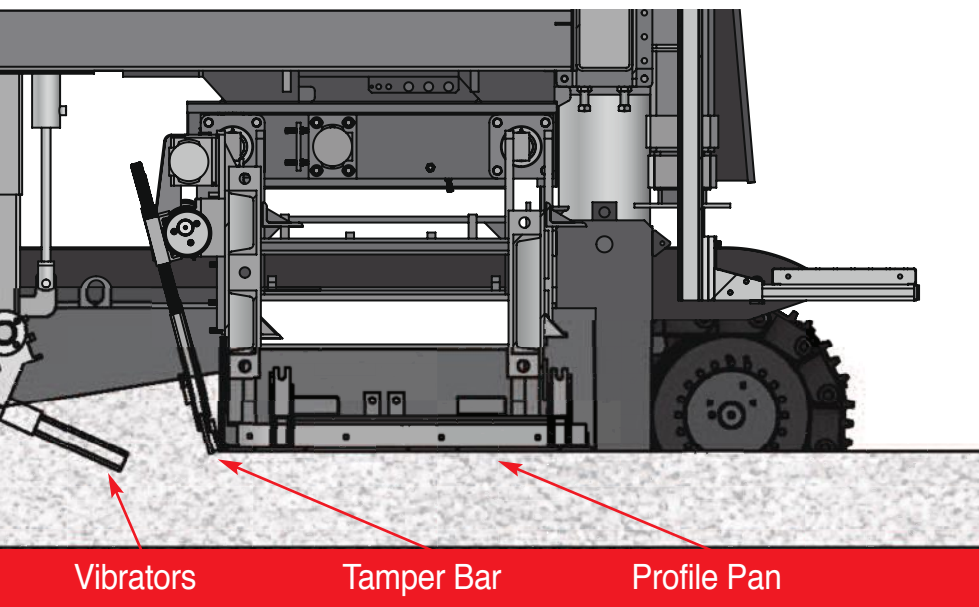
- The minimum paving width for the SF-3000 is 12 feet (3.75m). **Extensions** increase the paving width as the job requires. Intermediate widths are achieved by various combinations of extension sections.
- Hydraulic power widening mainframe and quick release of the paving package makes changing paving widths easier. Auger system has quick disconnect for changing widths and is sectionalized. The strike-off beam telescopes for width changes.
- Paving widths are available with either imperial or metric sections.



The mainframe hydraulically widens and retracts, speeding the process of changing the paving width.

## ▲ Profile Pan

- Pan is 46 inches (1.2m) “deep”, is rigidly constructed, and has a sharp square trailing edge which combine to provide a smooth flat finish.
- It features power crowning for a straight (roof top) configuration with crown points for offset crowning.
- Pan fits tightly to the side-forms to produce a product with a crisp, sharp edge.
- Edge overbuild is standard, allowing each end (at the sides of the paver) to be lifted slightly to compensate for edge slump.
- Profile pan, tracks, and sideforms automatically adjust from running with both tracks on grade to one or both tracks running on adjacent slab with no modification.
- **Curb mold inserts** can be installed quickly on either or both sides for paving with integral curb(s).



Edge overbuild feature compensates for edge slump

## ▲ Pressure Washer

- Keeping the paver clean and clear of built-up concrete is imperative for successful paving, so the SF-3000 is equipped with a 2,000 psi (138bar) pressure washer.
- Twin tanks provide 220 gallons (833 liters) of on-board water storage.



Everything works together to create pavement with smooth flat finish and a sharp square edge.

## ▲ Control Features and Choices

- Network controller with electronic sensors.
- Network controller with **hydraulic grade sensors** (and electronic steering sensor).
- Stringless 3-D “plug-n-pave” ready.
- Synchronized Start/Stop for all Paving Functions by a single switch.
- **Auto Reverse Steering.**
- Pave with dual stringline (four corners) control or lock-to-grade referencing.
- Connections are provided for either right or left side steering reference.

*Optional accessories are shown in red.*

# SF-3000

## Machine Features and Optional Accessories for Enhanced Paving

### ▲ Hydraulic Sideform Lift

The sideforms can be hydraulically raised 2 inches (5cm) for clearance while driving around the jobsite.

### ▲ Moistening the Pavement Surface

A **water misting system** can be added for dampening the surface of the slab or a burlap drag.

### ▲ Integral Curb

A **curb mold** can be added to one or both sides where integral curb is required. They must fit into a 12 inch (30cm) wide by 8 inch (20cm) high area. **Consult the factory for other required curb profiles.**

### ▲ Steel Reinforcement & Load Transfer

- **Center and Quarter-Point Bar Inserters:** Hydraulically depresses 30 to 36 inch (75 to 90 cm) long bars into the slab at the center and/or quarter-points of the pavement width.
- **Side Bar Inserters:** Available for either or both sides and with manual or hydraulic operation. Includes side trail form(s).
- **Key-Way Inserter:** Installs continuous key-way, on one or both sides, with key-way holder, ribbon type with pre-punched holes. Key-way material not included.
- **Male Key-Way:** Sideform block-out (factory installed) on one or both sides.

### ▲ Polyurethane Track Pads

In lieu of our standard steel pads, **polyurethane track pads** are available for applications where the paver is crawling on existing pavement.

### ▲ Finishing

- **Belt Finisher:** Hydraulically driven belt finisher with 20 inch (50.8cm) wide belt.
- **Trailing Float Pan:** Adjustable in width to match the paver. Requires side trail forms.
- **Final Finisher:** Oscillating mechanical float, adjustable to match the paving width.
- **Side Trail Forms:** Available for one or both sides. They're required to be used along with side bar inserters and a trailing float pan.

### ▲ Stringline or Stringless

- **Stringline Accessories:** Stakes, rods, clamps, string, winches, radius materials, etc. are available separately or in kits.
- **Stringless 3-D Kit:** Masts for two prisms or receivers and a power conditioner for use with 3-D control systems.

### ▲ Work Bridge

The **WB-2700** is our economical yet durable work bridge for use when manually applying curing compound and texture. It is available in widths up to 40 feet (12m) allowing the crew access to the full width of the paving.

*Optional accessories are shown in red.*



Hooks for a burlap drag and an optional water misting system enhance finishing choices.



Optional tie bar inserter for the center and/or quarter-points.



Optional hydraulic side bar inserter. A manual version is available too.



Optional polyurethane track pads for running on existing pavement.





Optional key-way inserter with manually placed tie bars.



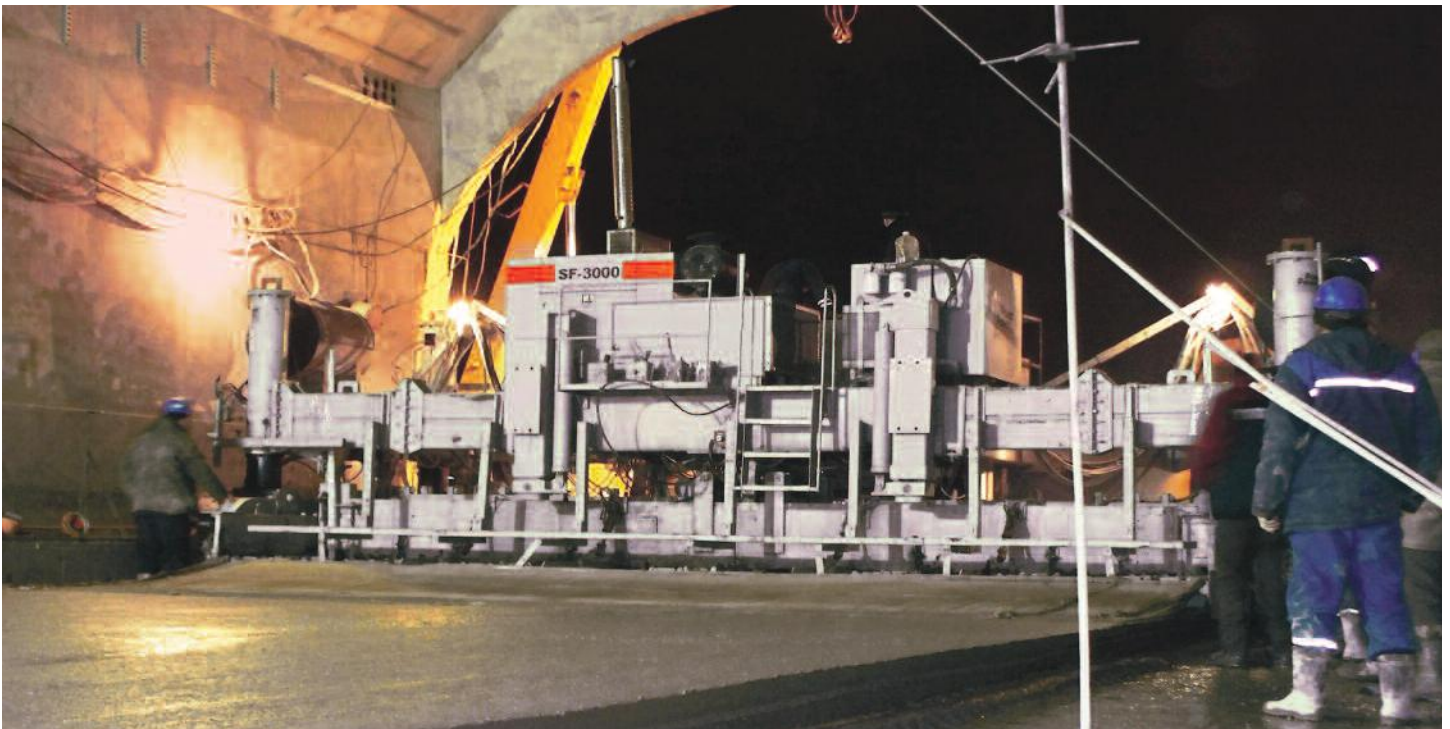
Optional final finisher features an oscillating mechanical float.



Optional belt finisher enhances the pavement surface.



3-D Controls allow the SF-3000 to pave without stringline. This provides better access for the concrete trucks, other equipment, and the finishing crew.



An SF-3000 paves a highway through a tunnel in Russia.



# Power Pavers & Power Curbers Family Of Products

Your Single Source for all your Concrete Paving Needs



▲ Power Pavers SF-1700, SF-2700 and SF-3000 Slip-Form Pavers



▲ Power Pavers FP-2700 and FP-3000 Form Riding Pavers



▲ Power Pavers PS-2700 and PS-3000 Belt Placer/Spreaders



▲ Power Pavers TC-2700 Texture/Curing Machine



▲ Power Curbers 5700-C & 5700-C-MAX Slip-Form Curb Machines



▲ Power Curbers Extruded Curb Machines



▲ Anvil American Stringline Accessories

# Power Pavers INC.

Our Commitment Shows

5838 West Cedar Wapsi Road  
Cedar Falls, IA 50613 USA

Tele: (319) 987-3070 Fax: (319) 987-3074

Email: [info@powerpavers.com](mailto:info@powerpavers.com)

[www.powerpavers.com](http://www.powerpavers.com)