

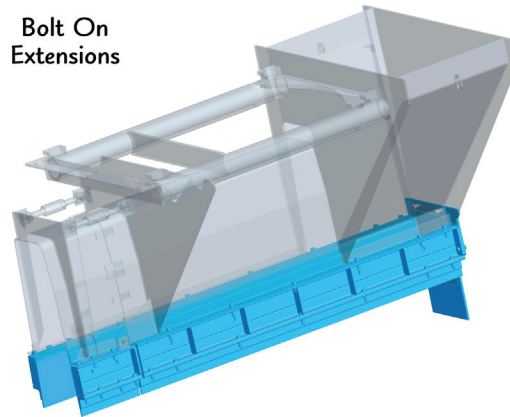
Mold Options

Universal Features

Bolt-On Extensions

Priced per side, extensions are primarily used to allow one mold to pour for two different heights. Some contractors use them as wear plates. Mold must be specially designed for compatibility. Extensions more than 6 in. (16 cm) are not recommended.

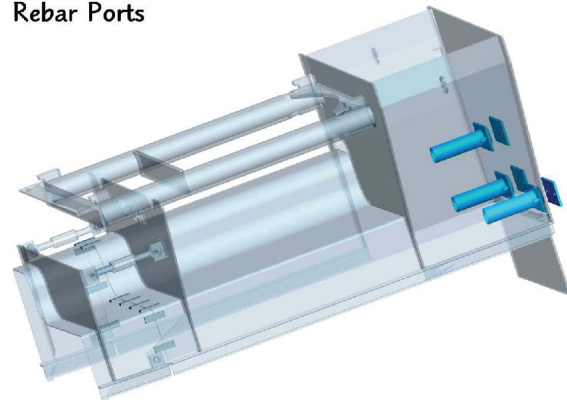
Bolt On
Extensions



Rebar Ports

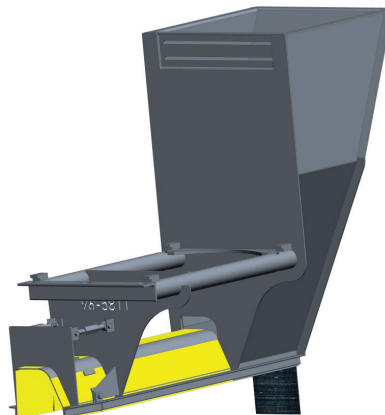
Priced per port, these allow rebar to be fed into the front of the mold for reinforcement. Specific location of reinforcement must be known for design. Each port comes with cover plate that can be exchanged when port isn't necessary.

Rebar Ports



Integral Hopper

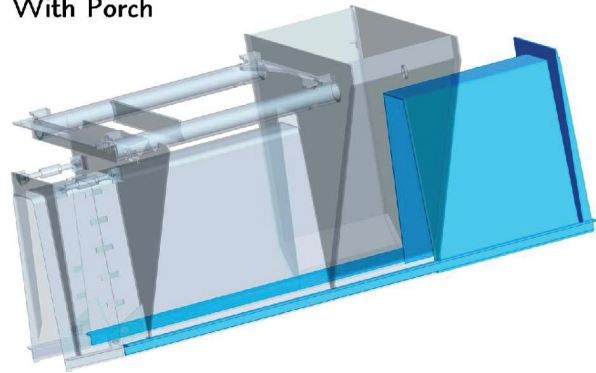
Necessary for large (over 32 in. (82 cm) wide) or small (less than 15 in. (38 cm) wide) applications. Integral hoppers ensure correct distribution of concrete and help maximize flow rates. Integral hoppers can be added to any mold.



Open Front & Porch

When pouring over steel, an open front is required. In these cases, a porch extends forward beyond the hopper to help contain the concrete and prevent waste.

Open Front
With Porch

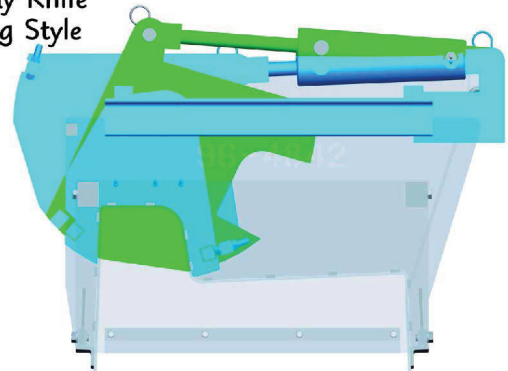


Curb & Gutter

Rotating Driveway Knife

Sometimes curb heads must be lowered to allow vehicle access to driveways. A knife can reduce but not eliminate the amount of manual labor and finish work required. For best results, driveway knives should be included with original mold design.

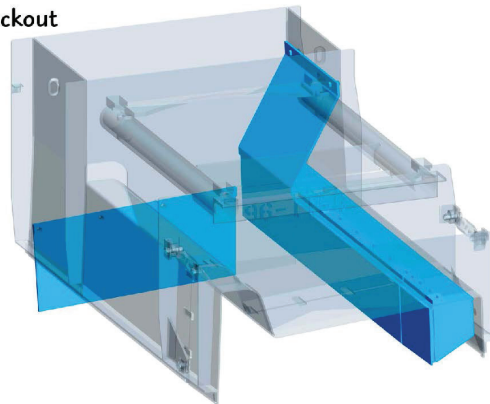
Driveway Knife
Rotating Style



Blockout

Blockouts can be used to allow one mold to fit multiple designs by reducing the width of a curb profile. Restrictions may apply to certain molds.

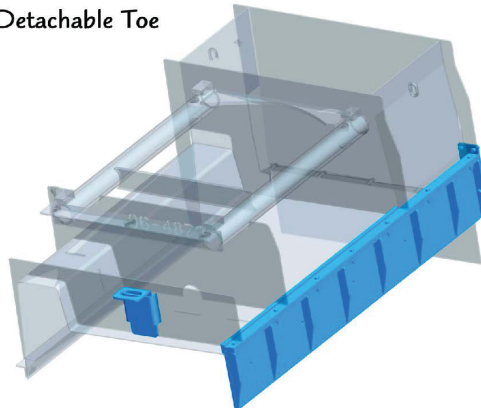
Blockout



Detachable Toe

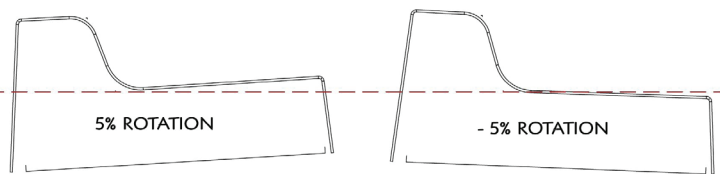
Detachable toes allow a mold to pour a freestanding profile, or adjacent to existing pavement. These are useful for rehab work.

Detachable Toe



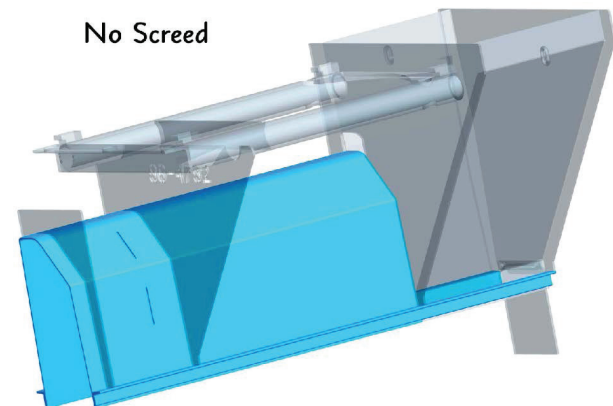
Designed for Catch & Spill

In some cases, a mold can be designed to catch and spill. Rotation of the mold is achieved through leaning the entire Power Curber. This affects the angle of the top of the curb and may not be allowed in all areas. Please ask your local authority if it might be an option in your area.



No Screed

Molds with detachable toes, and certain other applications require a design without a screed. When screeds are excluded, weep slots replace their functionality. There is no charge for this option.



Keyways

Keyways can be used for a variety of purposes such as designed joints, score lines, or special profile requests. Keyways can be a permanent part of the mold design, or they can be attached with bolts so they are removable.



Side-Entry Driveway Knife

See [Rotating Driveway Knife](#) for description of function. This version of the knife offers a more finished option that will further reduce manual labor. Due to physical design constraints, this knife is not available for all molds. Regular cleaning and maintenance are critical with this option.

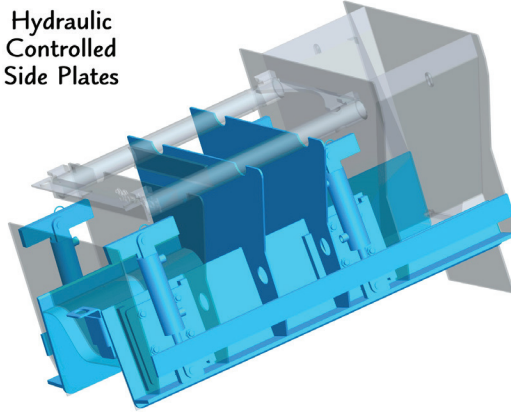


Barrier

Hydraulic Side Plates

Standard on barrier molds, this option can also be included for curb and gutter applications. The top of the profile remains at a constant height while the side plates adjust for variances in the grade.

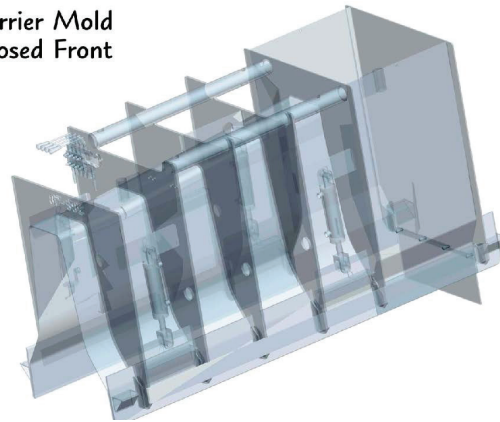
Hydraulic
Controlled
Side Plates



Closed-Front Barrier

If there is no steel to pour over, a closed front mold better contains the concrete to eliminate waste.

Barrier Mold
Closed Front

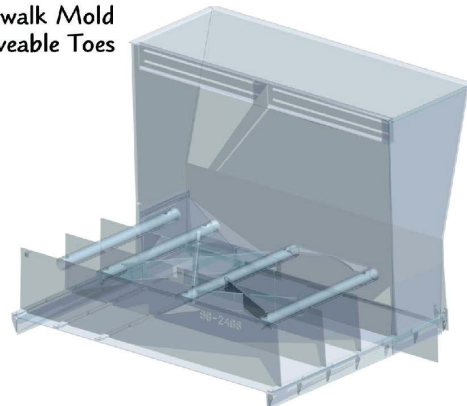


Sidewalk

Detachable / Movable Toes

This option allows the width of the sidewalk to be adjusted between predetermined positions. Additionally, the toe can be removed completely to pour adjacent to existing curb or pavement.

Sidewalk Mold
Moveable Toes



Monolithic

Monolithic molds allow curb, gutter, and sidewalk to be poured in a single pass. Monolithic molds are priced on an individual basis, please contact the mold department to discuss details.

