



**DST1020**

**TECHNICAL SPECIFICATION**

# DST1020

The DST 1020 is one of the most compact trommel screens on the market and can either be track-mounted or equipped with a tow hitch to be towed by under 3.5t class vehicles. It is easy to transport and can be easily accessed for inspection and maintenance. It is an excellent choice for rubble recycling, gardening, compost, dirt, wood and it is suitable for waste treatment plants of any size. The quick machine set-up makes it immediately operational under any environmental conditions. Komplet's drum screen can also be directly powered from an external electric supply, which greatly decreases both operating costs and emission levels.

1. TROMMEL
2. FINESIZE SIDE CONVEYOR
3. MIDSIZE & OVERSIZE SIDE CONVEYOR
4. POWERUNIT
5. CONTROL SYSTEM
6. TRACKS -CHASSIS





# TECHNICAL DATA

## TRACKED DRUM SCREEN

**Dimension Drum**  
2000x1000mm

**Screen net**  
5-100mm

## FEEDING: BELT WITH HOPPER

**Length**  
2500mm

**Width**  
550mm

**Hopper Capacity**  
1,3m<sup>3</sup>

**Loading Height**  
2000mm

## FINE MATERIAL BELT

**Length**  
2500mm

**Width**  
500mm

**Pile height**  
1270mm

## OVERSIZE MATERIAL BELT

**Length**  
1800mm

**Width**  
500mm

**Pile height**  
1585mm

## INSIDE GENERATOR

**Electric power**  
14 kVa  
9 kV  
380-220 V

## MOTORE ISUZU

**Power**  
21/28,5 kW/Hp

**Consumption**  
5,5 L/h

**Cylinder**  
Nº3

**Cooling**  
Water

## RUBBER CRAWLED TRACK

**Length**  
2000mm

**Width**  
300mm

**2°speed**  
Included

## PERFORMANCE

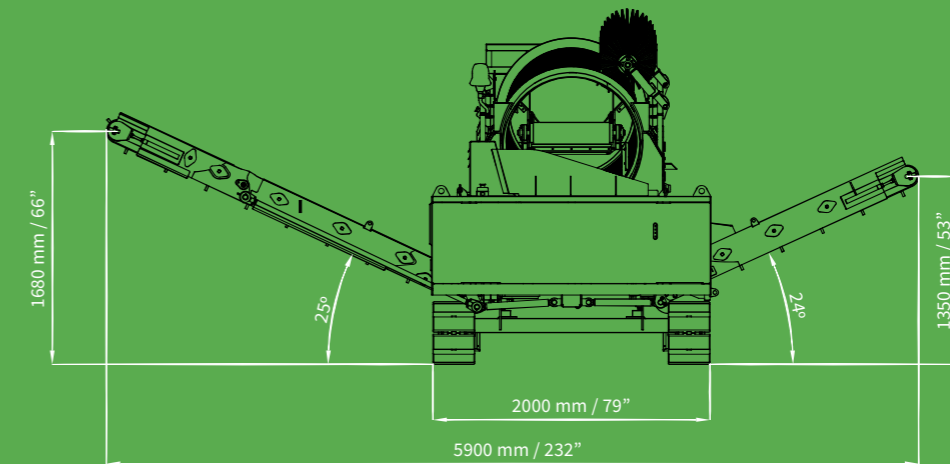
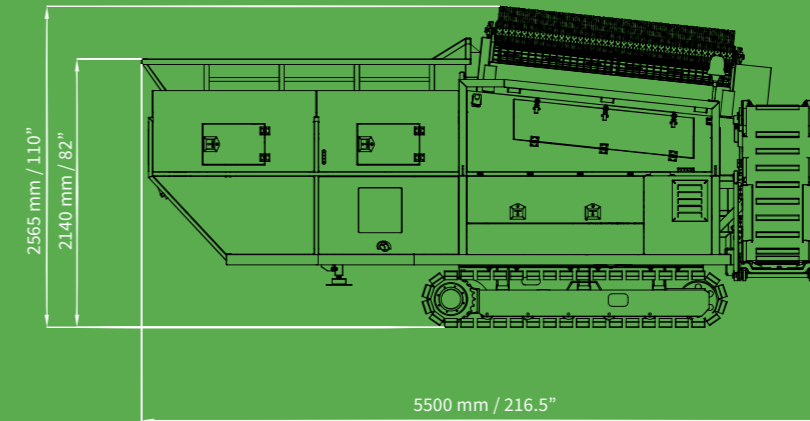
**Production**  
60 T/h

**Max size**  
20mm

**Standard weight**  
3400kg



# TRANSPORT DIMENSION & WORKING DIMENSION



## STANDARD MACHINE

- Brushes for clean drum
- Belts for the screening material

## ACCESSORIES

- Net With Different Hole
- Dust Dumping System

## TRANSPORT DIMENSION

Length 6550mm.  
Width 2150mm.  
Height 2150mm.



