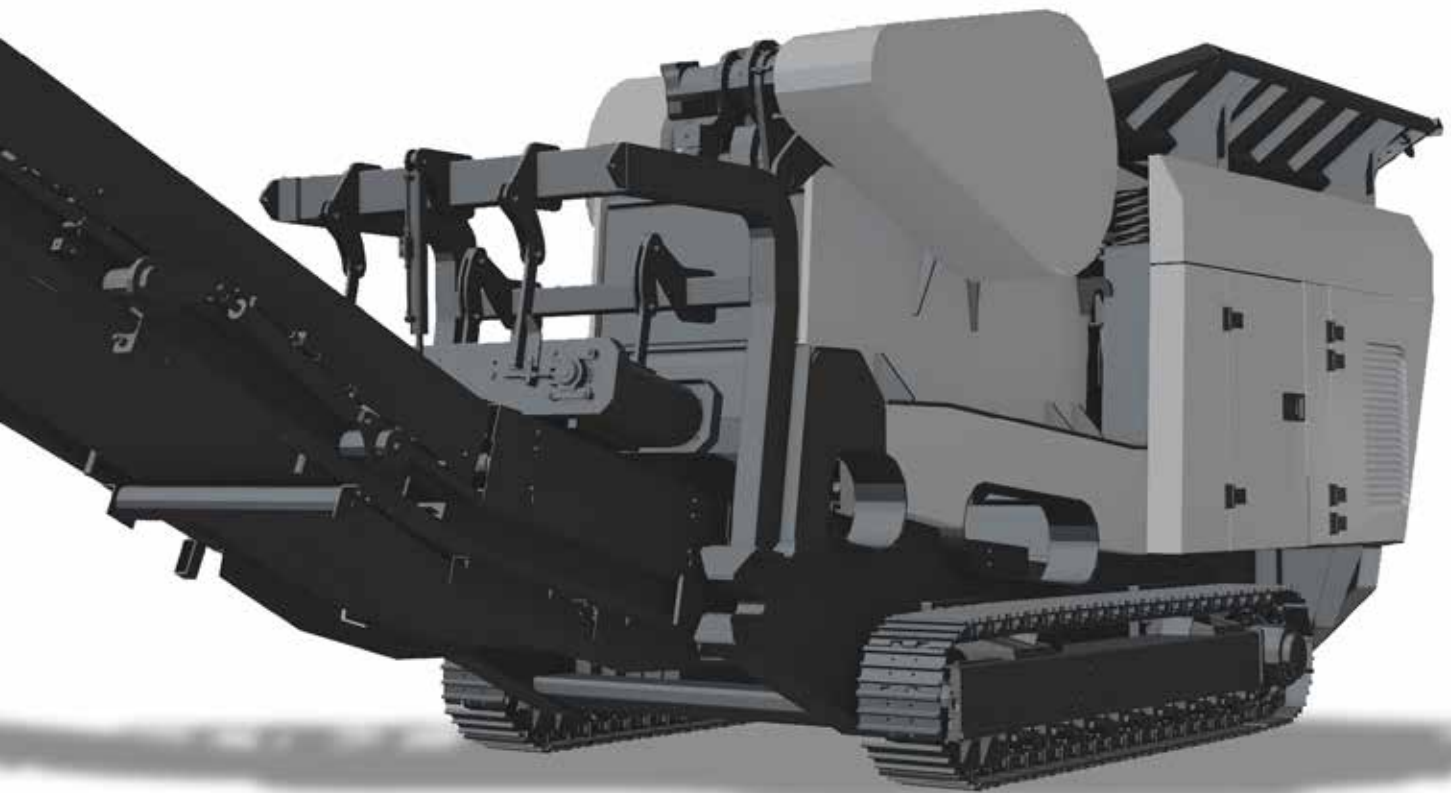


**NEW** MOBILE  
COMPACT  
CRUSHER



**K-JC 805**  
TECHNICAL SPECIFICATION

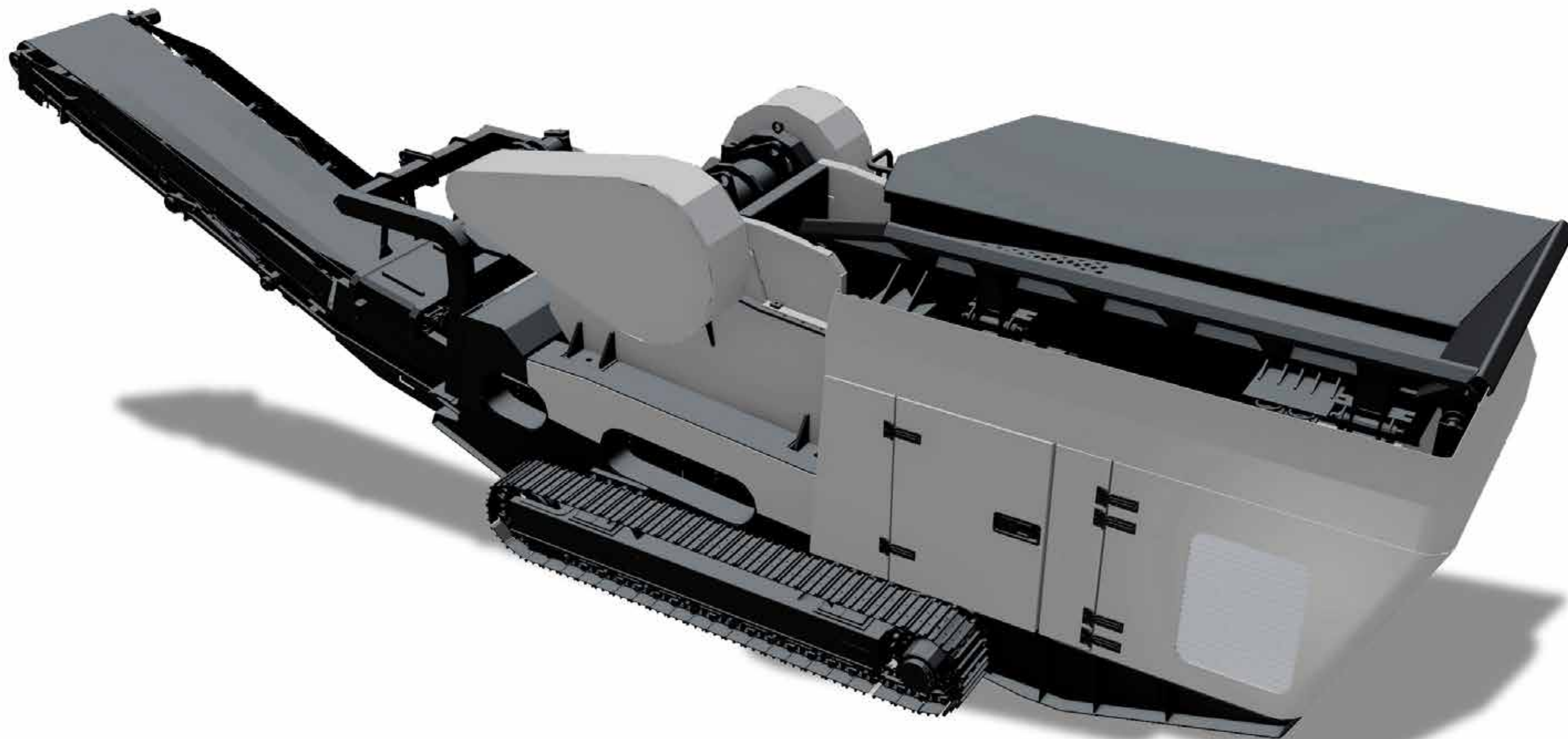
# K-JC 805

Is an easy to use compact jaw crusher designed to crush a wide variety of materials. Ideally suited to contractors and quarry operators alike. Easily transported, is designed to excel in a wide range of crushing applications. The modern design allows unrivalled access to the engine and around the crushing chamber.

- 1. CRUSHER
- 2. FEEDER
- 3. PRODUCT CONVEYOR
- 4. POWERUNIT
- 5. CONTROL SYSTEM
- 6. TRACKS



**CRUSHER**



## TECHNICAL DATA

### JAW CRUSHER

**Crusher dimension**  
800x500 mm (31x20")

**Jaw adjustment**  
Hydraulically

**CSS range**  
20 to 80mm  
(3/4" to 3-1/4")

### POWERUNIT

**Power**  
T4F 100Kw/134 Hp  
diesel engine

**Consumption**  
62l/h

**Cylinder**  
N°4

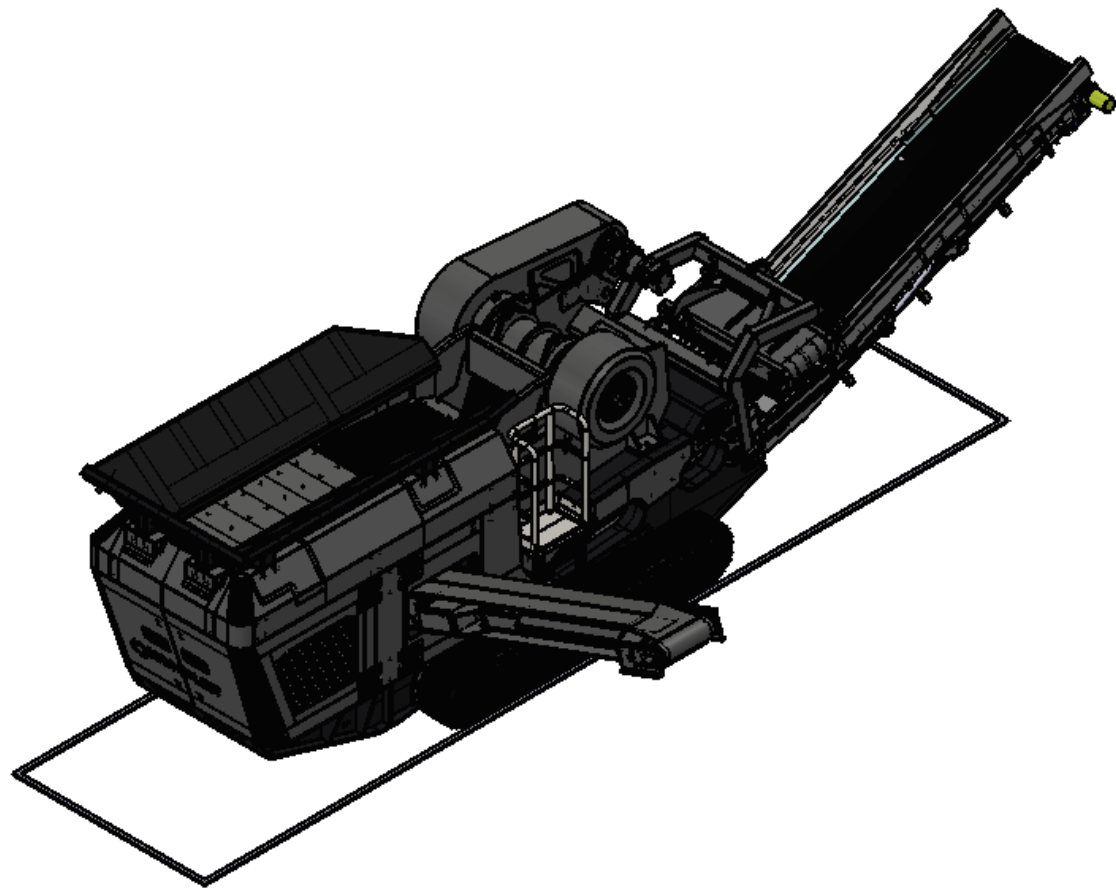
**Cooling**  
Water

### PERFORMANCE

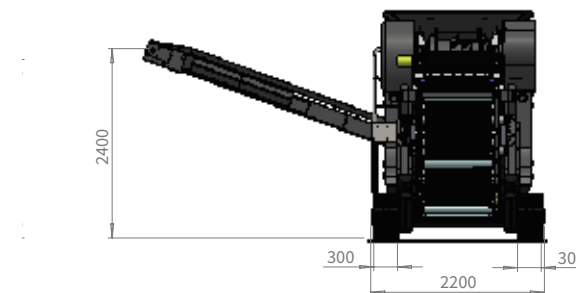
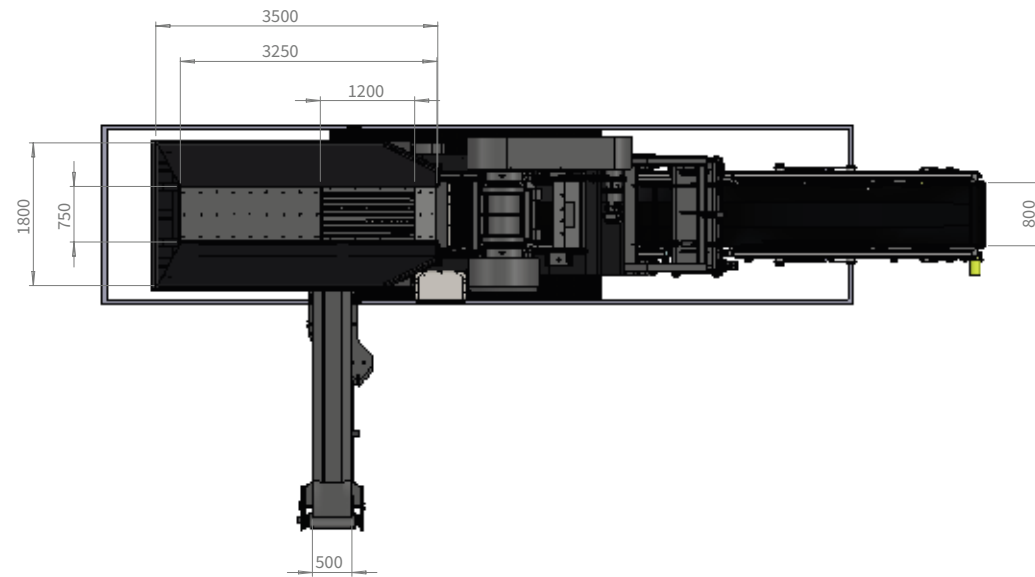
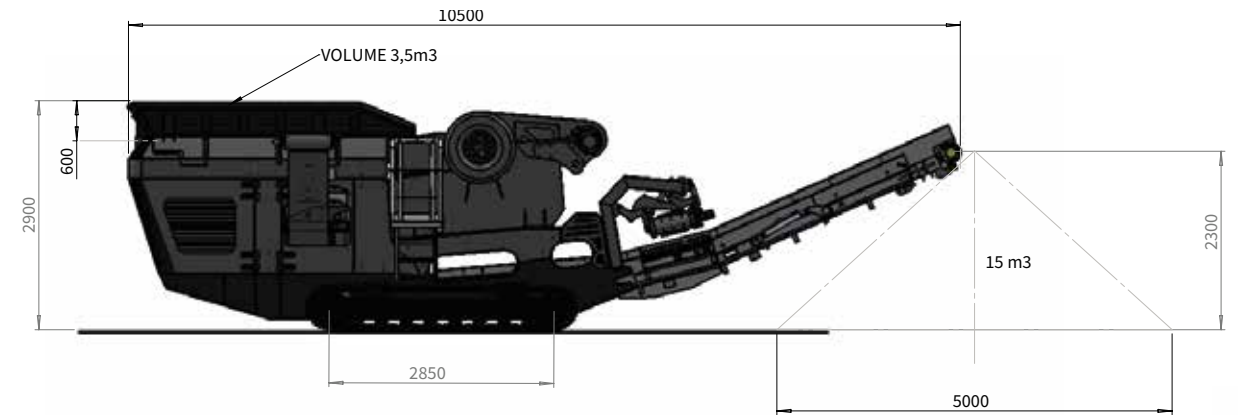
**Production**  
up to 200tph /  
220 ustph

**Max intel size**  
500 mm

**Standard weight**  
18000 kgs (39,685 lbs)



# TRANSPORT DIMENSION & WORKING DIMENSION



## STANDARD MACHINE

- Doglead remote control
- Easy 2 use control panel
- Monitoring and remote access to machine
- Gps geolocation
- Jaw level sensor
- Ladder to inspect the crusher

## ACCESSORIES

- Overband magnetic
- Raise and lower overband magnetic
- Side dirty conveyor
- Remote control to drive undercarrige/crusher/feeder
- Spraybar
- Antidustsystem

