

NEW MOBILE
COMPACT
CRUSHER



CITYCRUSHER
TECHNICAL SPECIFICATION

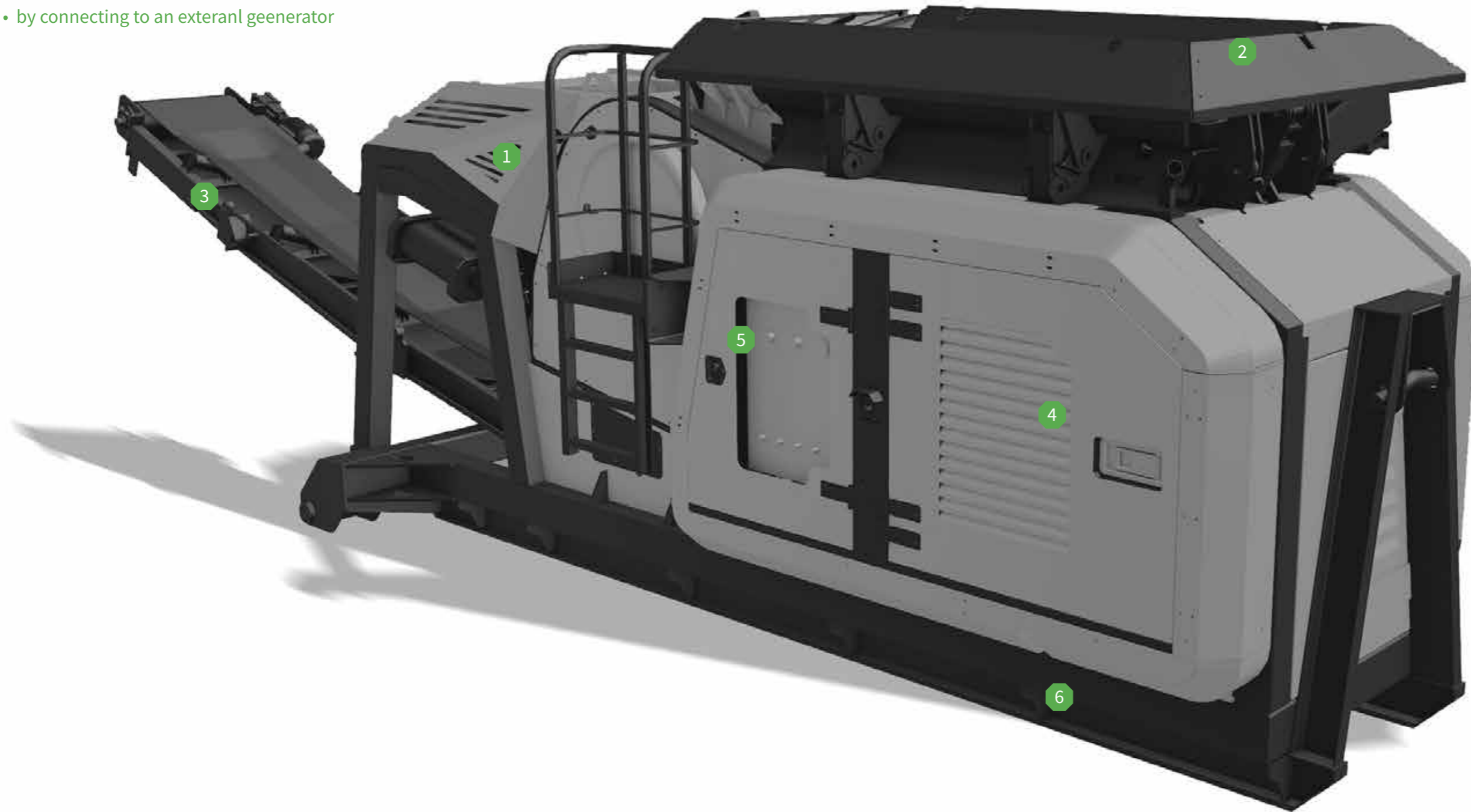
CITYCRUSHER

The CITYCRUSHER IS A hook lift crusher and the ideal choice for processors and companies that need to crush smaller quantities to open up new business areas or expand existing areas profitably.

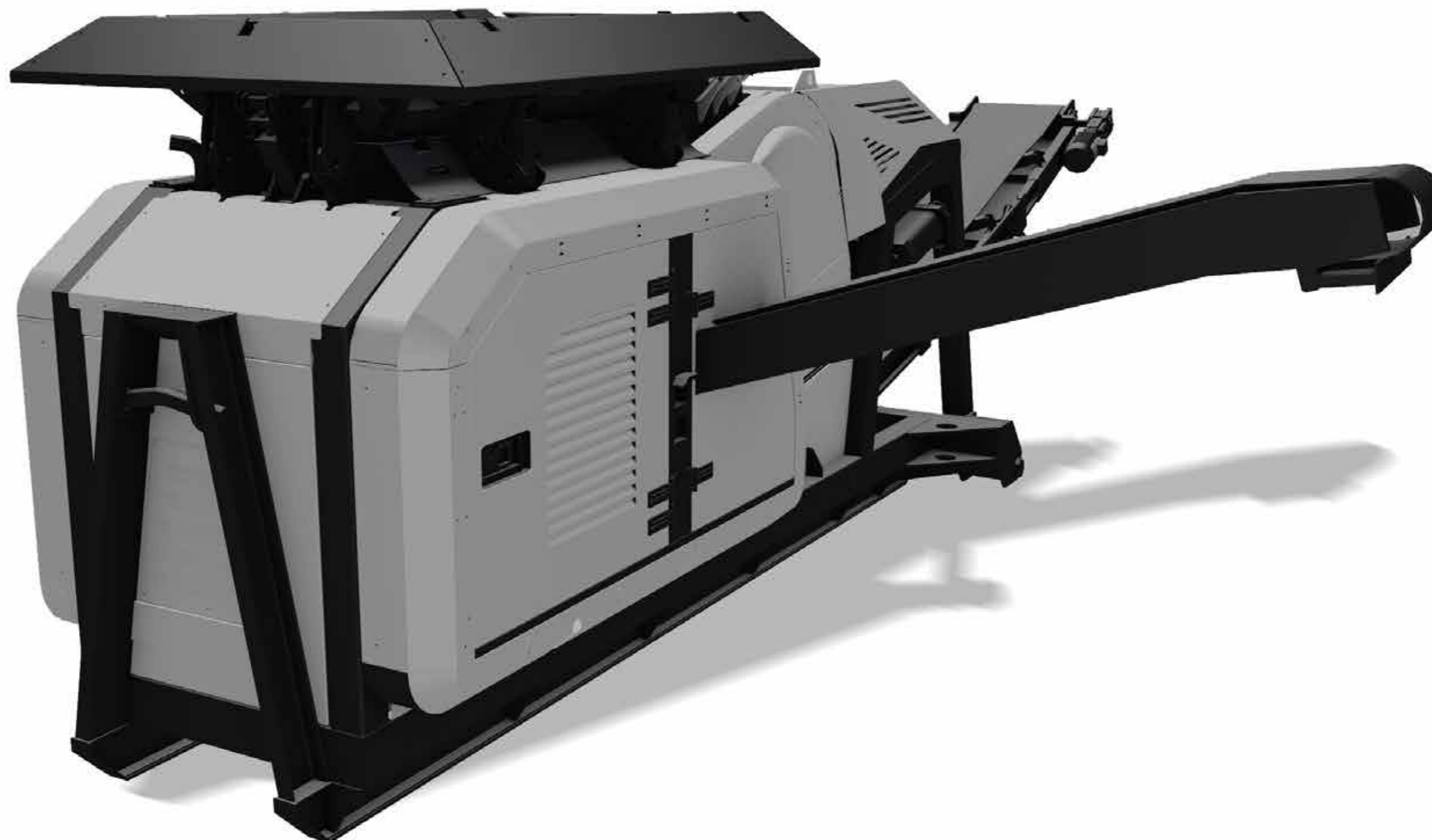
CAN OPERATE:

- by connecting to electrical mains
- by connecting to an external generator

1. CRUSHER
2. FEEDER
3. PRODUCT CONVEYOR
4. POWERUNIT
5. CONTROL SYSTEM
6. CHASSIS



CRUSHER



TECHNICAL DATA

JAW CRUSHER

Crusher dimension
680x400mm (27x16")

Jaw adjustment
Hydraulically

CSS range
20 to 80mm
(3/4" to 3-1/4")

FEEDING: LOADING BELT WITH HOPPER

Length
2400 mm

Width
1560 mm

Hopper Capacity
2,3 m³

Loading Height
2690 mm

POWERUNIT

Power
T3 61Kw/83 Hp
diesel engine

T4F 52Kw/70 Hp
diesel engine

On board generator
24Kw

Consumption
12l/h

Cylinder
N°4

Cooling
Water

PERFORMANCE

Production
up to 80tph /90 ustph

Max intel size
400 mm

Standard weight
9500 kgs (20,944 lbs)

STANDARD MACHINE

**Easy 2 use control
panel**

Jaw level sensor

**Ladder to inspect
the crusher**

ACCESSORIES

Overband magnetic

**Raise and lower
overband magnetic**

Side dirty conveyor

Spraybar

Antidustsystem

