

GB

- Universal extraction table
- Standard extraction by table top
- Available in two depths: 1000 or 1250mm
- Table top standard delivered with wooden sticks
- Built-in air distribution chamber
- Also available with steel ribs or stainless steel ribs
- Dust container(s) for coarse pre-separated dust
- Height-adjustable from 680-980mm

- Application as: glue table - griding table - polishing table - welding table - manual cutting table

D

- Universaler Absaugtisch
- Standard-Absaugung durch Tischplatte
- Erhältlich in zwei Tiefen: 1000 oder 1250mm
- Tischplatte Standard mit Holzstäben ausgeführt
- Eingebaute Luftverteilungsarmatur
- Auch erhältlich mit Stahlrippen oder rostfreien Stahlrippen
- Staubschublade(n) für groben vorabgeschiedenden Staub
- Höhenverstellbar von 680-980mm

- Verwendbar als: Klebetisch - Schleiftisch - Poliertisch - Schweißstisch - manueller Scheidtisch

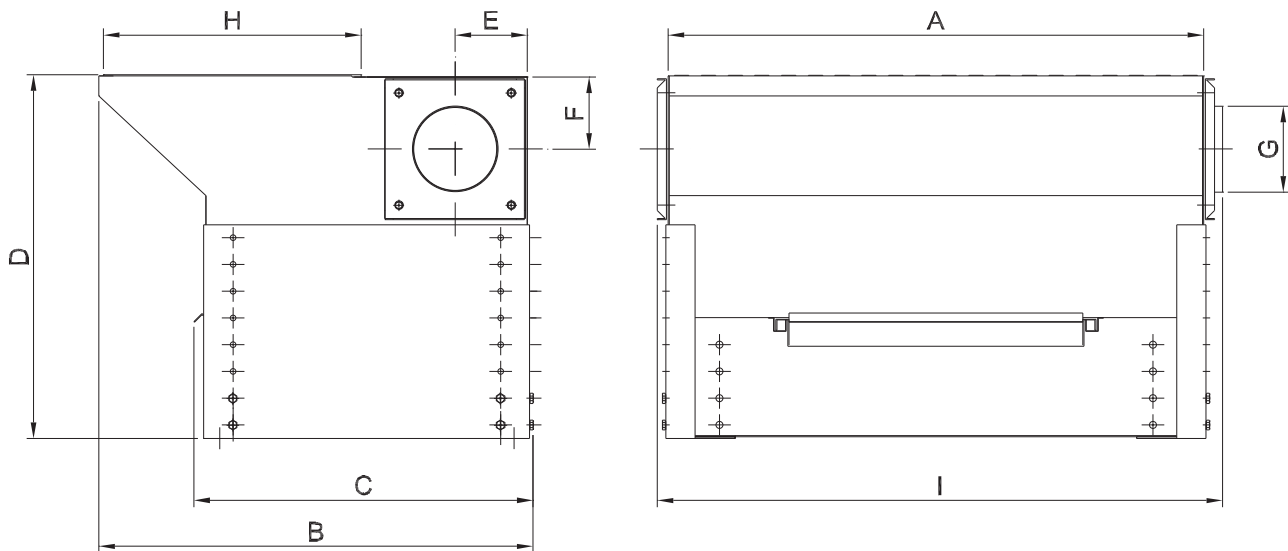
GB

Extraction table is delivered without fan and may max. be stressed with 150 kg/m on the rib surface. Can against additional payment be strengthened to 300 kg/m.

D

Absaugtisch wird ohne Ventilator geliefert und kann mit Max. 150 kg/m auf der Rippenoberfläche belastet werden. Kann gegen Zulage bis zu 300 kg/m verstärkt werden.

Colour/Farbe: RAL 5007/7011 (structure/Struktur)



Gram extraction table type UF - depth 1000mm:

Type	Order no.	A	B	C	D*	E	F	G	H	I	Extraction dimension	Air volume [m³/h]	Δ P [Pa]	Weight [kg]
UF 1000	02 205 000	1000	1015	836	680 - 980	135	135	∅160	680	1056	640 x 1000	1150	600	80
UF 1500	02 210 000	1500	1015	836	680 - 980	135	135	∅200	680	1556	640 x 1500	1725	600	120
UF 2000	02 215 000	2000	1015	836	680 - 980	135	135	∅250	680	2056	640 x 2000	2340	600	160
UF 2500	02 217 000	2500	1015	836	680 - 980	135	135	∅250	680	2556	640 x 2500	2900	600	200
UF 3000	02 220 000	3000	1015	836	680 - 980	135	135	∅250	680	3056	640 x 3000	3450	600	240

Gram extraction table type UF - depth 1250mm:

Type	Order no.	A	B	C	D*	E	F	G	H	I	Extraction dimension	Air volume [m³/h]	Δ P [Pa]	Weight [kg]
UF 1000	02 205 900	1000	1261	1084	680 - 980	135	135	∅160	930	1056	890 x 1000	1600	600	100
UF 1500	02 210 900	1500	1261	1084	680 - 980	135	135	∅200	930	1556	890 x 1500	2400	600	150
UF 2000	02 215 900	2000	1261	1084	680 - 980	135	135	∅250	930	2056	890 x 2000	3200	600	200
UF 2500	02 217 900	2500	1261	1084	680 - 980	135	135	∅250	930	2556	890 x 2500	4000	600	250
UF 3000	02 220 900	3000	1261	1084	680 - 980	135	135	∅250	930	3056	890 x 3000	4800	600	300

* Height-adjustable

GB

Gram extraction table type UF is available with:

- Backwall with and without extraction
- Side wall set with and without noise damping (requires top module)
- Top hinged with and without noise damping
- Steel ribs or stainless steel ribs (AISI 304)

D

Gram Absaugtisch Typ UF ist lieferbar mit:

- Hinterwand mit und ohne Absaugung
- Seitenwandsatz mit und ohne Isolierung (erfordert Deckenmodul)
- Decke gelenkig verbunden mit und ohne Isolierung
- Stahlrippen oder rostfreie Stahlrippen (AISI 304)

Additional equipment for extraction table type UF:

GB

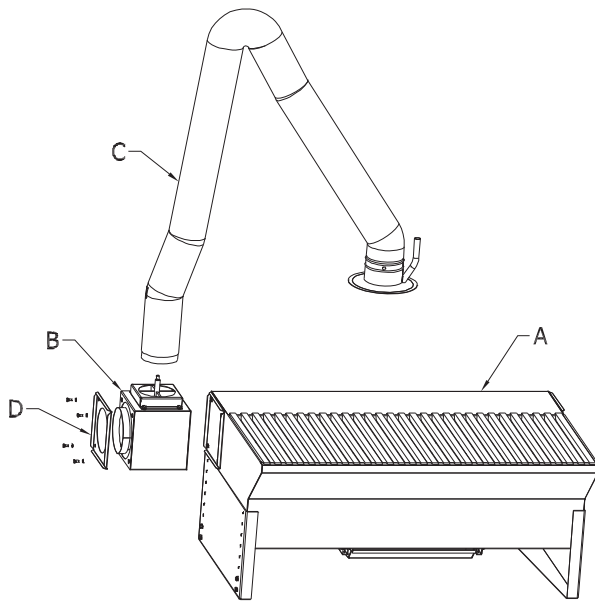
Also available:

- Connection module for extraction arm type RGF in table version mounted (cannot be used in connection with accessories mentioned above)

D

Ausserdem ist erhältlich:

- Anschlußmodul für Punktabsaugarm Typ RGF-Tischmodell (kann nicht in Verbindung mit obiger Zusatz-Ausrüstung benutzt werden)



GB

- A: Extraction table type UF (D = standard part of table)
- B: Connection module
- C: Extraction arm for table mounting
- D: Standard connection piece for table

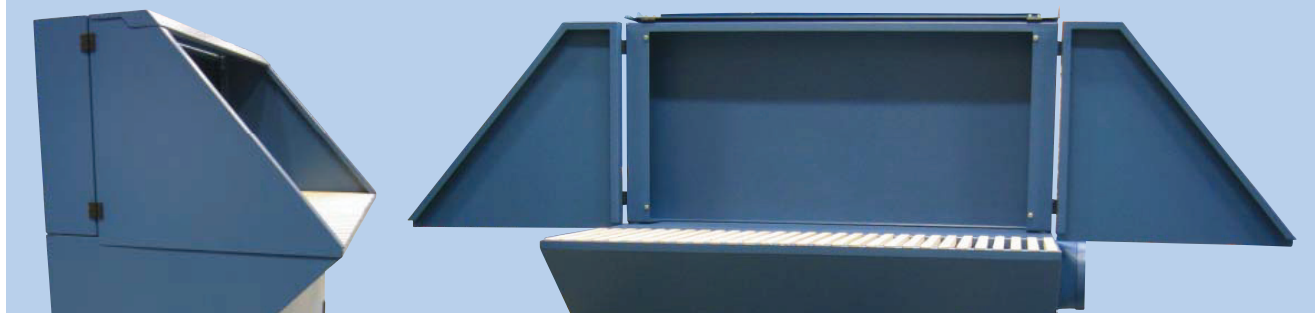
D

- A: Absaugtisch Typ UF (D = Standardteil vom Tisch)
- B: Anschlußmodul
- C: Punktabsaugarm für Tischmontage
- D: Standardstutzen für Tisch

Order no.	Description
02 205 050	Additional payment for perforated table top for existing wooden sticks/steel ribs. Table depth: 1000mm
20 205 950	Additional payment for perforated table top for existing wooden sticks/steel ribs. Table depth: 1250mm
02 215 711	Additional payment for extraction arm mounting of type RGF in table version $\varnothing 125\text{mm}$ (length 2000 - 4000mm)
02 210 701	Additional payment for extraction arm mounting of type RGF in table version $\varnothing 160\text{mm}$ (length 2000 - 4000mm)
09 700 000	Fluorescent lighting fitting 1x18 W (excl. switch)
09 701 000	Fluorescent lighting fitting 1x36 W (excl. switch)
09 703 000	Additional payment for fluorescent lighting fitting mounting in hinged top
09 703 100	Additional payment for mounting of 5m cable and 230VAC-plug
09 703 200	Additional payment for mounting of 5m cable and 230VAC-plug (Schuko)

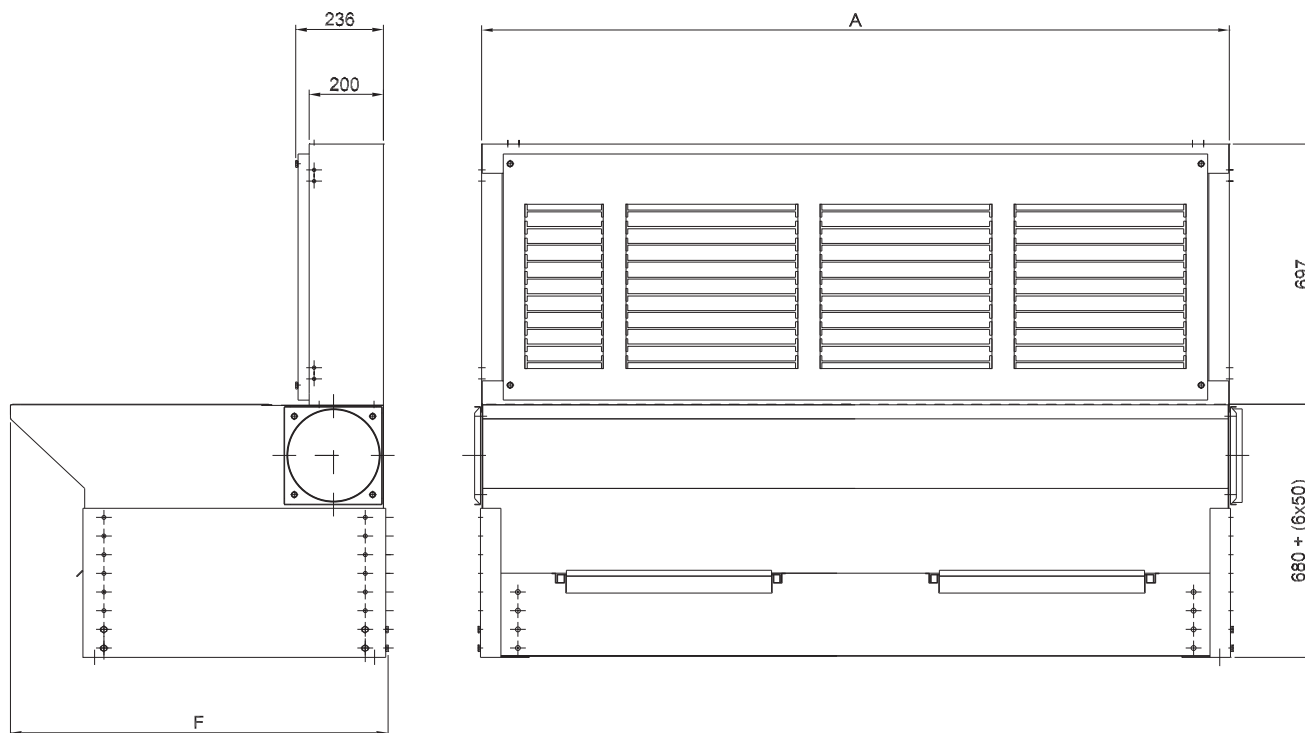
Additional equipment for extraction table type UF:

Extraction table type UF*



* Here with backwall without extraction as well as side wall set and hinged top without noise damping.

Backwall with extraction for UF 1000/1250:

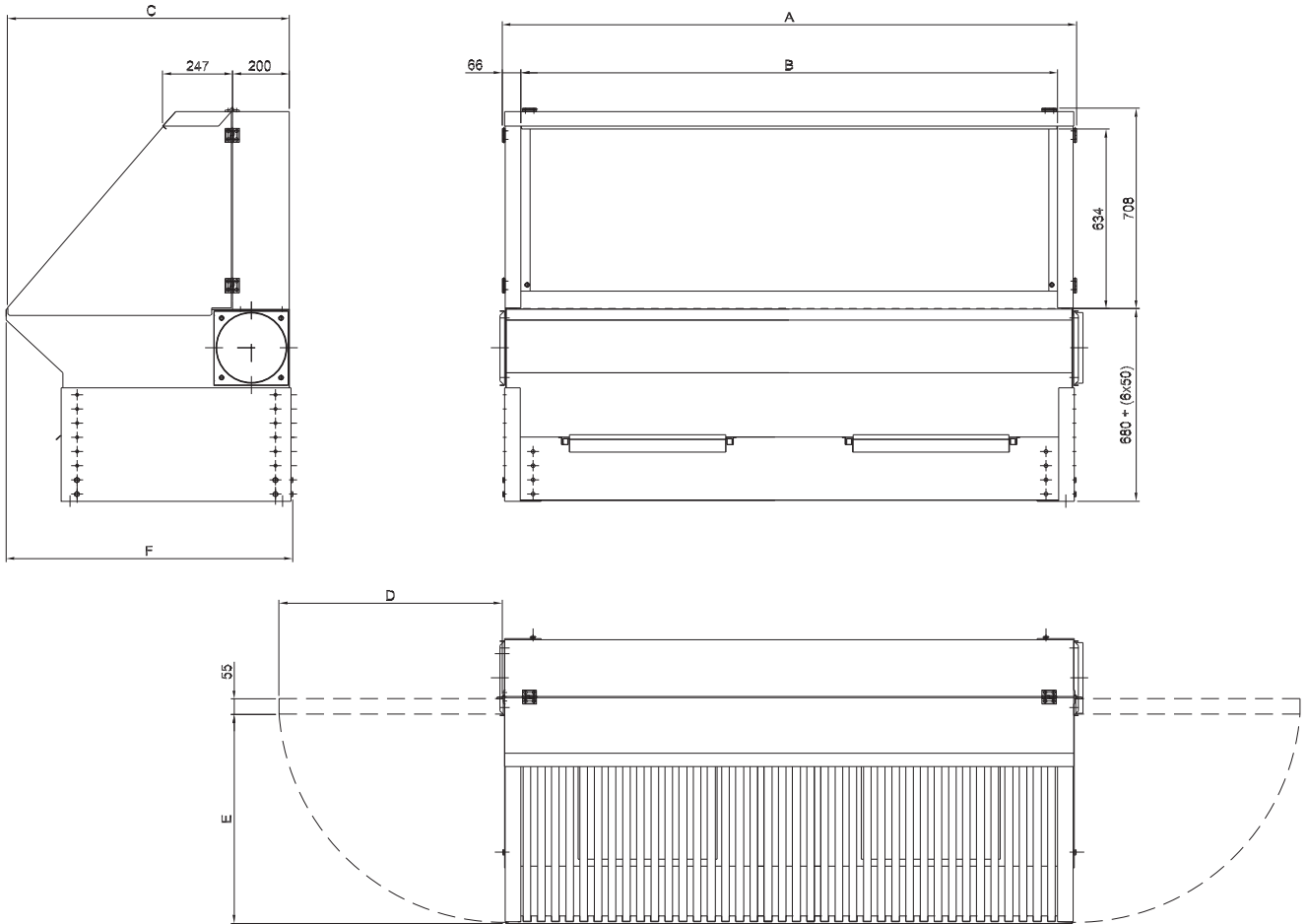


Product	Order no.	A	B	C	D	E	F UF 1000/1250
Backwall with extraction for UF 1000	02 235 000	1030	998	998	790	738	1020/1270
Backwall with extraction for UF 1500	02 235 100	1530	1498	998	790	738	1020/1270
Backwall with extraction for UF 2000	02 235 200	2030	1898	998	790	738	1020/1270
Backwall with extraction for UF 2500	02 235 300	2530	2498	998	790	738	1020/1270
Backwall with extraction for UF 3000	02 235 400	3030	2998	998	790	738	1020/1270

Recht auf Änderungen bleibt vorbehalten. / Data is subject to alterations.

Rev. 09.10

Backwall without extraction, side wall set as well as hinged top for UF 1000/1250:



Product	Order no.	A	B	C	D	E	F UF 1000/1250
Backwall without extraction for UF 1000	02 231 400	1030	998	998	790	738	1020/1270
Backwall without extraction for UF 1500	02 231 500	1530	1498	998	790	738	1020/1270
Backwall without extraction for UF 2000	02 231 600	2030	1898	998	790	738	1020/1270
Backwall without extraction for UF 2500	02 231 800	2530	2498	998	790	738	1020/1270
Backwall without extraction for UF 3000	02 231 700	3030	2998	998	790	738	1020/1270
Side wall set for UF 1000 without noise damping*	02 663 000	-	-	-	-	-	1020
Side wall set for UF 1000 with noise damping*	02 663 100	-	-	-	-	-	1020
Side wall set for UF 1250 without noise damping*	02 633 500	-	-	-	-	-	1270
Side wall set for UF 1250 with noise damping*	02 663 600	-	-	-	-	-	1270
Top hinged for UF 1000 without noise damping	02 664 000	1030	998	998	790	738	1020/1270
Top hinged for UF 1500 without noise damping	02 664 100	1530	1498	998	790	738	1020/1270
Top hinged for UF 2000 without noise damping	02 664 200	2030	1898	998	790	738	1020/1270
Top hinged for UF 2500 without noise damping	02 664 300	2530	2498	998	790	738	1020/1270
Top hinged for UF 3000 without noise damping	02 664 400	3030	2998	998	790	738	1020/1270
Top hinged for UF 1000 with noise damping	02 665 000	1030	998	998	790	738	1020/1270
Top hinged for UF 1500 with noise damping	02 665 100	1530	1498	998	790	738	1020/1270
Top hinged for UF 2000 with noise damping	02 665 200	2030	1898	998	790	738	1020/1270
Top hinged for UF 2500 with noise damping	02 665 300	2530	2498	998	790	738	1020/1270
Top hinged for UF 3000 with noise damping	02 665 400	3030	2998	998	790	738	1020/1270

* Requires hinged top.

Recht auf Änderungen bleibt vorbehalten. / Data is subject to alterations.
Rev. 09.10