

Weather Center

model 00436/00634A1/00634A2/00634CA



CONTENTS

Unpacking Instructions.....	2	Sensor & Display Placement.....	9
Package Contents.....	2	3-in-1 Sensor Installation.....	10
Product Registration.....	2	Using the Weather Center.....	11
Features & Benefits: 3-in-1.....	3	Troubleshooting.....	12
Features: Display Unit.....	4	Care & Maintenance.....	14
Setup.....	6	Specifications.....	14
3-in-1 Sensor Setup.....	6	FCC Information.....	14
Display Unit Setup.....	7	Customer Support.....	15
Set Time, Date & Units.....	8	Warranty.....	15

Questions? Contact Customer Support at (877) 221-1252 or visit www.AcuRite.com.

SAVE THIS MANUAL FOR FUTURE REFERENCE.

ACURITE®

Congratulations on your new AcuRite product. To ensure the best possible product performance, please read this manual in its entirety and retain it for future reference.

Unpacking Instructions

Remove the protective film that is applied to the LCD screen prior to using this product. Locate the tab and peel off to remove.

Package Contents

1. Display unit with tabletop stand
2. 3-in-1 sensor
3. Sensor mounting bracket
4. Mounting hardware
5. Instruction Manual

IMPORTANT

PRODUCT MUST BE REGISTERED
TO RECEIVE WARRANTY SERVICE

PRODUCT REGISTRATION

Register online
to receive 1 year
warranty protection

www.AcuRite.com

UP NOW

IONS FO

SUPPORT

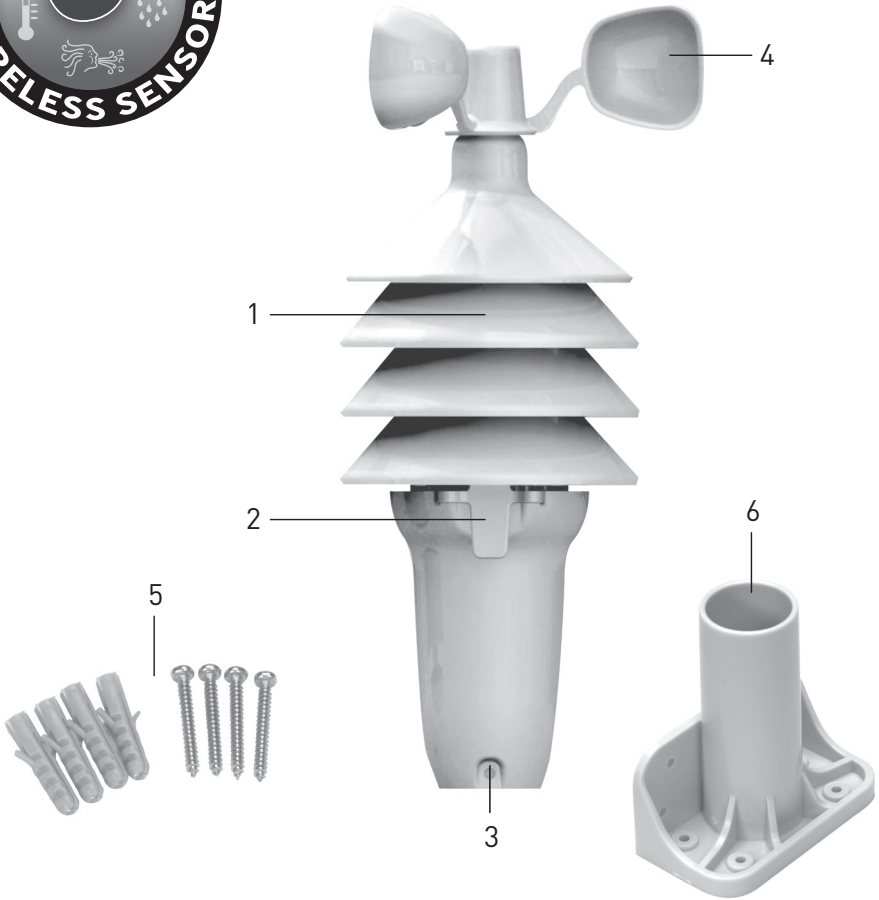
Support Forum

Archived Products

▶ Register a Product

Y

Features & Benefits



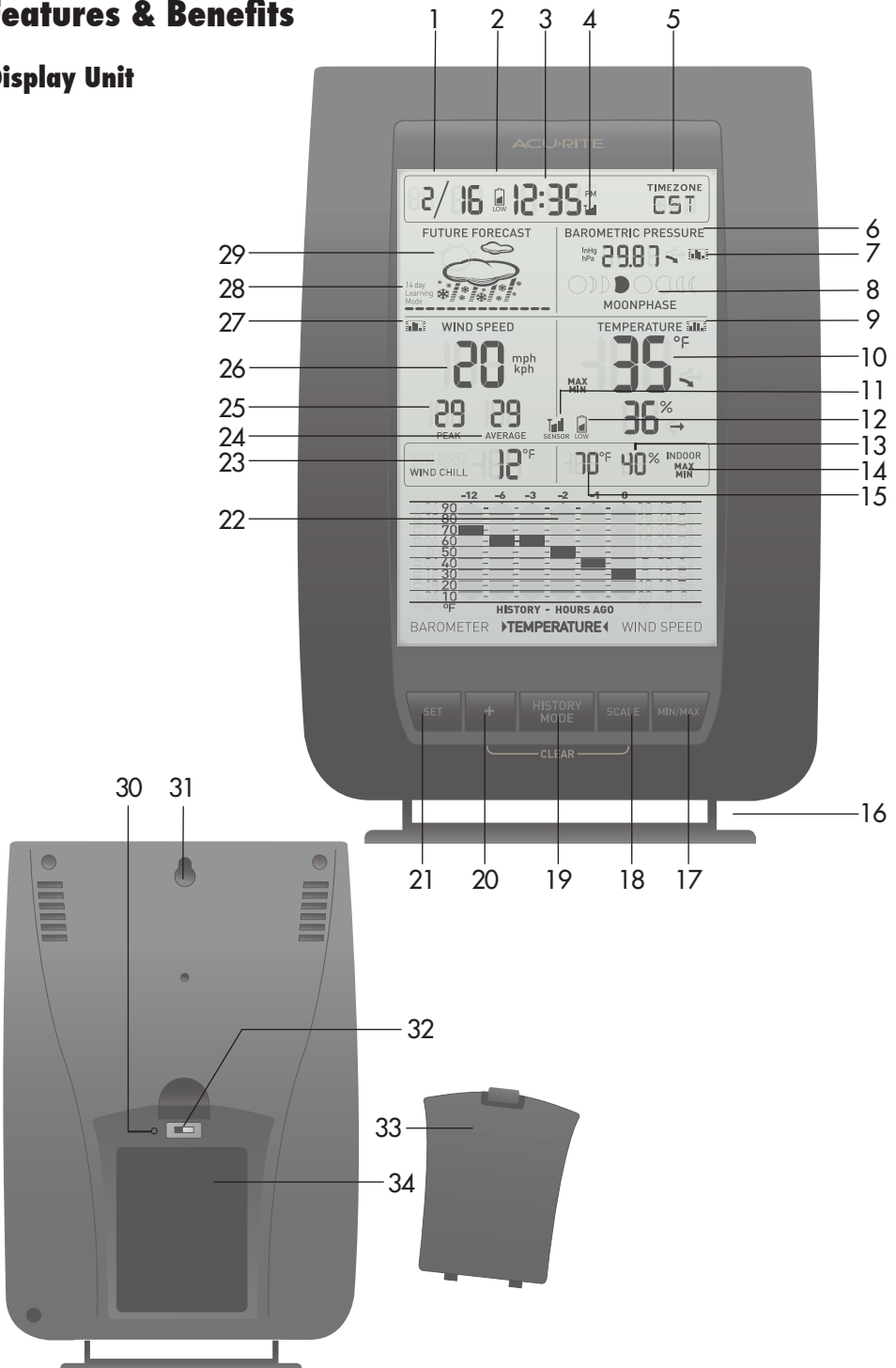
3-in-1 SENSOR

- 1. Temperature & Humidity Sensors**
(internal)
- 2. Release Lever for Battery Access**
- 3. Mounting Point**
- 4. Wind Speed Anemometer**

- 5. Mounting Hardware**
Includes anchors and screws.
- 6. Mounting Bracket**
- 7. A-B-C Switch** (not shown)
ID code that must match display's A-B-C switch to ensure units synchronize.

Features & Benefits

Display Unit



DISPLAY UNIT

- 1. Date**
- 2. Low Battery Indicator**
- 3. Atomic Clock**

Maintains time with split-second accuracy and automatically updates for daylight saving time.
- 4. Atomic Clock Signal Strength**
- 5. Selected Time Zone**
- 6. Barometric Pressure**

Arrow icon indicates the direction the pressure is trending.
- 7. History Chart Icon**

Indicates data is currently displayed on the History Chart (22).
- 8. Moon Phase**
- 9. History Chart Icon**

Indicates data is currently displayed on the History Chart (22).
- 10. Current Outdoor Temperature**

Arrow icon indicates direction temperature is trending.
- 11. Sensor Signal Strength**
- 12. Low Sensor Battery Indicator**
- 13. Current Indoor Humidity**
- 14. High/Low Records Indicator**

Indicates whether minimum or maximum records are being shown.
- 15. Current Indoor Temperature**
- 16. Removable Tabletop Stand**
- 17. MIN/MAX Button**

Press to view high or low records for temperature and humidity.
- 18. SCALE Button**

Changes data units to either U.S. units or imperial units.
- 19. HISTORY MODE Button**

Press to toggle between pressure, temperature and wind speed data on the History Chart (22).
- 20. + Button**

For setup preferences.
- 21. SET Button**

For setup preferences.
- 22. Multi-Variable History Chart**

Displays the past 12 hours of data for pressure, temperature or wind speed.
- 23. Seasonal**

Displays heat index, dew point or wind chill, depending on the current outdoor temperature.
- 24. Average Wind Speed**

Based on all wind speed readings from the past 2 minutes.
- 25. Peak Wind Speed**

Highest speed from past 60 minutes.
- 26. Current Wind Speed**
- 27. History Chart Icon**

Indicates data is currently displayed on the History Chart (22).
- 28. Learning Mode Icon**

Disappears after weather forecast self-calibration is complete.
- 29. 12 to 24 Hour Weather Forecast**

Self-Calibrating Forecasting pulls data from the outdoor sensor to generate your personal forecast.

BACK OF DISPLAY UNIT

- 30. Reset Button**

Full reset to factory defaults.
- 31. Integrated Hang Hole**

For easy wall mounting
- 32. A-B-C Switch**

ID code that must match sensor's A-B-C switch to ensure units synchronize.
- 33. Battery Compartment Cover**
- 34. Battery Compartment**

3-IN-1 Sensor Setup

1 Set the A-B-C Switch

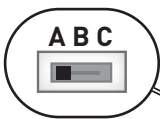
The A-B-C switch is located inside the battery compartment. It can be set to A, B or C. However, you must select the same letter choices for both the sensor and the display unit in order for the units to synchronize.

2 Install or Replace Batteries

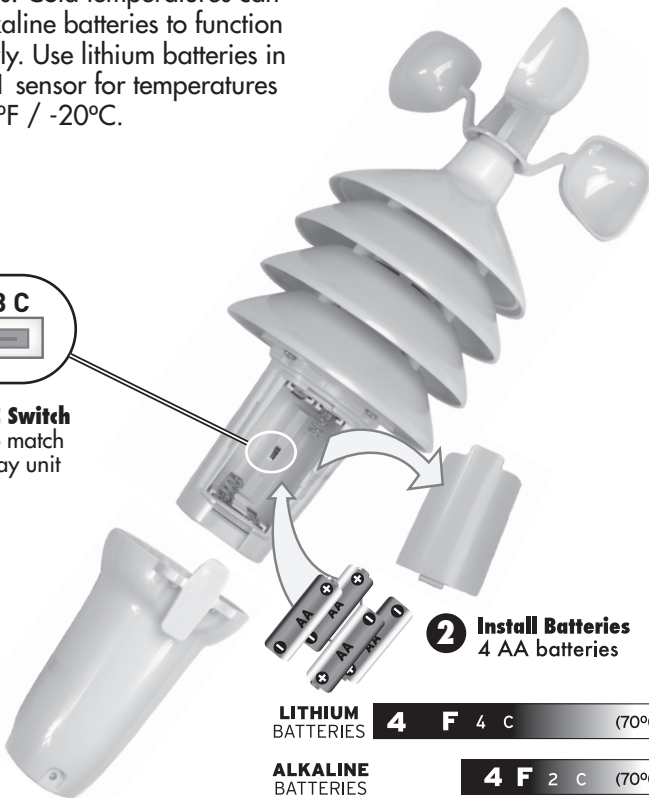
AcuRite recommends high quality alkaline or lithium batteries for the best product performance. Heavy duty or rechargeable batteries are not recommended.

The 3-in-1 sensor requires lithium batteries in low temperature conditions. Cold temperatures can cause alkaline batteries to function improperly. Use lithium batteries in the 3-in-1 sensor for temperatures below -4°F / -20°C.

1. Press the release lever and pull off the lower housing of the sensor.
2. Remove the battery compartment cover. Take note of the A-B-C switch setting inside the battery compartment for step 2.
3. Insert 4 x AA batteries into the battery compartment, as shown. Follow the polarity (+/-) diagram in the battery compartment.
4. Replace the battery cover and lower housing of the sensor.



1 A-B-C Switch set to match display unit



2 Install Batteries
4 AA batteries

LITHIUM BATTERIES 4 F 4 C (70°C) 158°F

ALKALINE BATTERIES 4 F 2 C (70°C) 158°F

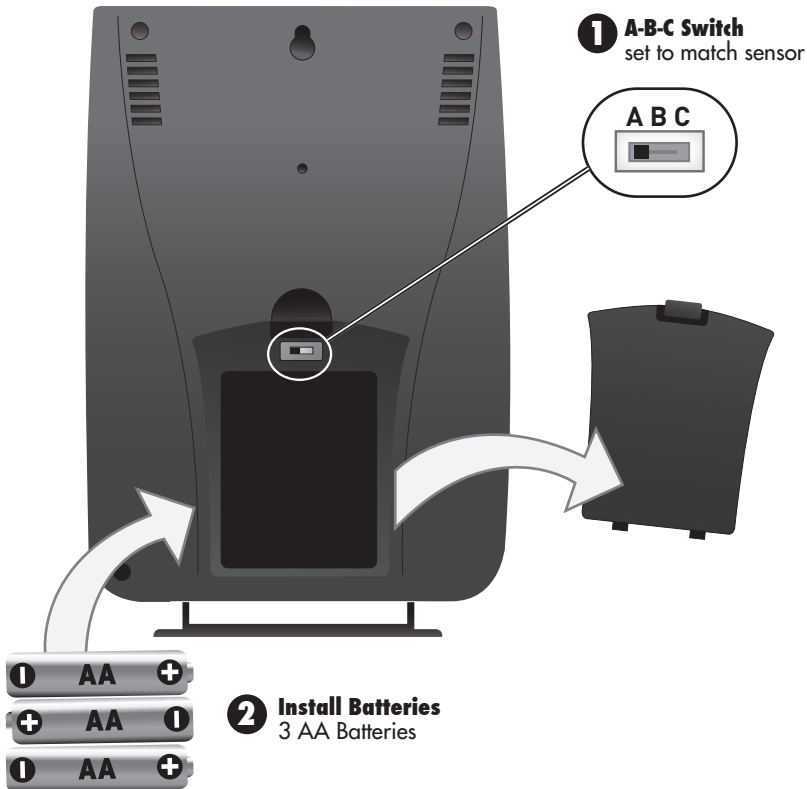
Display Unit Setup

1 Set the A-B-C Switch

Locate the A-B-C switch inside the battery compartment. Set the A-B-C switch to A, B or C. You must select the same letter choices for both the display unit and the sensor in order for the units to synchronize.

2 Install or Replace Batteries

1. Remove the battery compartment cover.
2. Insert 3 x AA alkaline batteries into the battery compartment, as shown. Follow the polarity (+/-) diagram in the battery compartment.
3. Replace the battery cover.



PLEASE DISPOSE OF OLD OR DEFECTIVE BATTERIES IN AN ENVIRONMENTALLY SAFE WAY AND IN ACCORDANCE WITH YOUR LOCAL LAWS AND REGULATIONS.

BATTERY SAFETY: Clean the battery contacts and also those of the device prior to battery installation. Remove batteries from equipment which is not to be used for an extended period of time. Follow the polarity (+/-) diagram in the battery compartment. Promptly remove dead batteries from the device. Dispose of used batteries properly. Only batteries of the same or equivalent type as recommended are to be used. DO NOT incinerate used batteries. DO NOT dispose of batteries in fire, as batteries may explode or leak. DO NOT mix old and new batteries or types of batteries (alkaline/standard). DO NOT use rechargeable batteries. DO NOT recharge non-rechargeable batteries. DO NOT short-circuit the supply terminals.

Atomic Clock

AcuRite atomic clocks use a radio-controlled signal to synchronize to the correct time broadcast by the National Institute of Standards and Technology (NIST) Radio Station WWVB, located near Fort Collins, Colorado. WWVB broadcasts the current time and date with split-second accuracy.

This AcuRite atomic clock and calendar will maintain the correct time and date, and automatically update for daylight saving time to provide the most accurate timekeeping standard possible.

Please note: The atomic signal generally takes a few hours to synchronize, so it is important to manually set the time and date after powering on the display.

Set the Time & Date

Press AND HOLD the "SET" button for 5 seconds to enter SET MODE. Once in set mode, the preference you are currently setting will blink on the display.

To adjust the currently selected (flashing) item, press the "+" button (press and HOLD to fast adjust).

To save your adjustments, press and release the "SET" button again to adjust the next preference. The preference set order is as follows:

TIME ZONE (PST MST CST EST)

DST (Daylight Saving Time ON OR OFF)

CLOCK HOUR

CLOCK MINUTE

CALENDAR YEAR

CALENDAR MONTH

CALENDAR DATE

You will automatically exit SET MODE if no buttons are pressed for 30 seconds. Enter basic setup mode at any time by pressing and holding the "SET" button.

Select Measurement Units

To select between U.S. standard units or imperial units, press the "SCALE" button. Please note: The "WIND SPEED" history chart only displays data in "mph".

Measurement	U.S. Standard Units	Imperial Units
Temperature	Degrees Fahrenheit (°F)	Degrees Celsius (°C)
Barometric Pressure	inHg (inches of mercury)	hPa (Hectopascal)
Wind Speed	Miles per hour (mph)	Kilometers per hour (kph)

Placement for Maximum Accuracy

AcuRite sensors are sensitive to surrounding environmental conditions. Proper placement of both the display unit and the sensor are critical to the accuracy and performance of this product.



Display Unit Placement

Place the display unit in a dry area free of dirt and dust. To ensure accurate temperature measurement, place out of direct sunlight and away from heat sources or vents. Display unit stands upright for tabletop use or is wall-mountable.



3-in-1 Sensor Placement

The 3-in-1 sensor is designed to remain outdoors all year long. Choose an open location with no obstructions above or around the sensor for the most accurate measurements.

Important Placement Guidelines

Display unit and sensor must be within 330 feet (100 m) of each other.

MAXIMIZE WIRELESS RANGE

Place units away from large metallic items, thick walls, metal surfaces, or other objects that may limit wireless communication.

PREVENT WIRELESS INTERFERENCE

Place both units at least 3 feet (.9 m) away from electronic devices (TV, computer, microwave, radio, etc.).

LOCATE AWAY FROM HEAT SOURCES

Position sensor away from heaters, air conditioners, chimneys, exhaust vents, asphalt and concrete (surfaces that radiate heat).

LOCATE AWAY FROM HUMIDITY SOURCES

Avoid installing the sensor near pools, spas, or other bodies of water. Water sources may impact humidity accuracy.

LOCATE AWAY FROM SPRINKLER HEADS

DO NOT install the sensor where it will be sprayed by a sprinkler system. This may force water inside the sensor.

LOCATE AWAY FROM WIND OBSTRUCTIONS

DO NOT mount the sensor with obstructions around it. Consider a location that is a wide open area, with few structures around to ensure accurate wind speed measurement.

Visit us online to view installation photos and video, or learn more about AcuRite technology:

www.AcuRite.com/3in1



View Video

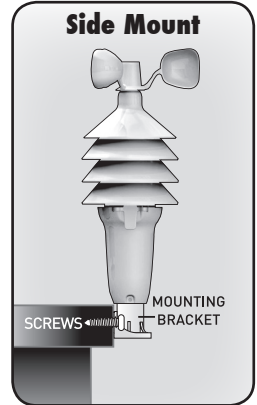
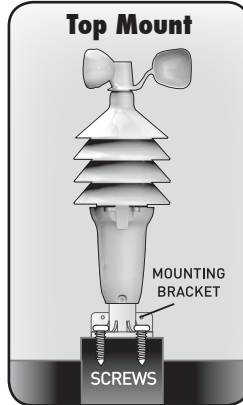
3-in-1 Sensor Installation Guidelines

INSTALLATION HEIGHT Mount the sensor at least 5 feet (1.5 meters) off the ground (higher is better for wind measurement) in an open area. Secure to fence post, 2'x4' wood, 3/4" pole, etc. (not included)

LEVEL INSTALLATION Use a bubble level (not included) to ensure level installation for accurate wind measurement.

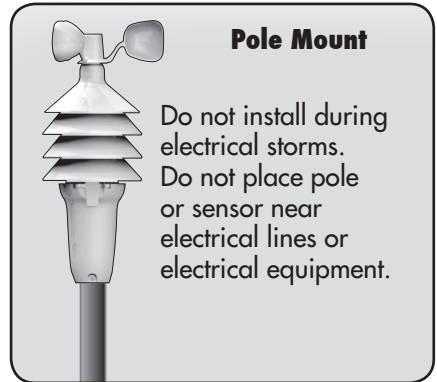
Top or Side Mount

1. Insert the mounting base into the hole on the bottom of the sensor.
2. Use one of the screws included in the hardware bag to fasten the lower sensor housing to the mounting base.
3. Make sure the sensor is level using a bubble level.
4. Fasten mounting base to a post or railing using 2 screws.



Pole Mount

1. Insert pole (we recommend 3/4" schedule 40 PVC / 25.8 mm O.D., not included) or similar item all the way into the hole on the bottom of the sensor. Note: Mounting base is not used.
2. Use one of the screws included in the hardware bag to fasten the lower sensor housing securely to the pole.
3. Make sure the sensor is level using a bubble level.



The 3-in-1 sensor is now ready to use.

Basic Setup is Complete

The 3-in-1 sensor will now synchronize with the display unit. It may take a few minutes for synchronization to complete. If both or one of the units appear to be functioning improperly, please refer to the troubleshooting section.

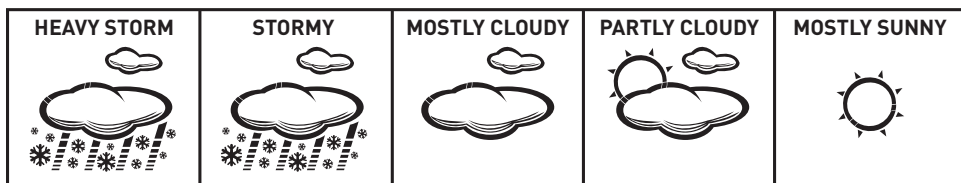
Using The Weather Center

Learning Mode

Self-Calibrating Forecasting use a unique algorithm to analyze changes in pressure over a time period (called Learning Mode) to determine your altitude. After 14 days, the Learning Mode icon disappears from the display screen. At this point, the self-calibrated pressure is tuned in to your location and the unit is ready for superior weather prediction.

Weather Forecast

AcuRite's patented Self-Calibrating Forecasting provides your personal forecast of weather conditions for the next 12 to 24 hours by collecting data from the sensor in your backyard. It generates a forecast with pinpoint accuracy - personalized for your exact location.



View the complete list of icons at www.AcuRite.com/acurite-icons

Moon Phase

Track the phases of the moon, conveyed through simple lunar phase icons.



Multi-Variable History Chart

The multi-variable history chart lets you monitor the change in conditions over the last 12 hour time period (-12, -6, -3, -2, -1, 0). Toggle between barometric pressure, temperature and wind speed readings.

Wind Speed

The Wind Speed area of the display features WIND SPEED PEAK, AVERAGE and CURRENT WIND SPEED. The multi-variable history chart lets you monitor the change in AVERAGE hourly wind speed.

Barometric Pressure

Subtle variations in barometric pressure greatly impact the weather. This weather center displays the current pressure with an arrow icon to indicate the direction the pressure is trending (FALLING, STEADY, or RISING). The multi-variable history chart lets you monitor the change in pressure over time.


High & Low Records

The "MIN/MAX" button displays minimum and maximum recordings for outdoor and indoor temperature and humidity. To view the MINIMUM temperature and humidity readings, press and release the "MIN/MAX" button until the "MIN" icon appears on the display next to the low records. To view the MAXIMUM temperature and humidity readings, press and release the "MIN/MAX" button until the "MAX" icon appears on the display next to the high records.

To reset the MINIMUM records, first view the MIN records by pressing the "MIN/MAX" button until the "MIN" icon appears on the display. While viewing the MIN records, press and hold the "+" and "SCALE" buttons simultaneously for 3 seconds. Dashes will display to confirm all MIN values have been cleared.

To reset the MAXIMUM records, first view the MAX records by pressing the "MIN/MAX" button until the "MAX" icon appears on the display. While viewing the MAX records, press and hold the "+" and "SCALE" buttons simultaneously for 3 seconds. Dashes will display to confirm all MAX values have been cleared.

Troubleshooting

Problem	Possible Solution
<p>No outdoor sensor reception</p>  no bars	<ul style="list-style-type: none"> • Relocate the display unit and/or the 3-in-1 sensor. The units must be within 330 ft (100 m) of each other. • Make sure both units are placed at least 3 feet (.9 m) away from electronics that may interfere with the wireless communication (such as TVs, microwaves, computers, etc). • Use standard alkaline batteries (or lithium batteries in sensor when temperature is below -4°F/-20°C). Do not use heavy duty or rechargeable batteries. NOTE: It may take up to 20 minutes for display unit and sensor to synchronize after batteries are replaced. • Synchronize the units: <ol style="list-style-type: none"> 1. Bring both the sensor and display unit indoors and remove at least one battery from each. 2. Make sure the A-B-C switch on both units match. 3. Reinstall the battery in the outdoor sensor. 4. Reinstall battery into the display unit. 5. Let the units sit within a couple feet of each other for about 20 minutes to gain a strong connection.
<p>Outdoor temperature is flashing or showing dashes</p>	<p>Flashing of the outdoor temperature may be an indication of wireless interference:</p> <ul style="list-style-type: none"> • Make sure the A-B-C switch in the battery compartments of both the display unit and sensor are switched to the same letter. You may choose A, B or C; but both units must match to sync up. Sometimes changing to a different channel helps.

Troubleshooting

Problem	Possible Solution
Inaccurate forecast	<ul style="list-style-type: none">• Weather Forecast icon predicts conditions for the next 12 to 24 hours, not current conditions.• Has Learning Mode icon disappeared from the display unit? Learning Mode must complete before forecast and pressure will be accurate.• Allow unit to run continuously for 33 days. Battery removal or resetting the display unit will restart Learning Mode. After 14 days, forecast should be fairly accurate, however Learning Mode calibrates for a total of 33 days.
Inaccurate temperature or humidity	<ul style="list-style-type: none">• Make sure both the display unit and 3-in-1 sensor are placed away from any heat sources or vents (see page 9).• Make sure both units are positioned away from moisture sources (see page 9).• Make sure 3-in-1 sensor is mounted at least 5 ft off of the ground.
Inaccurate wind readings	<ul style="list-style-type: none">• What is wind reading being compared to? Pro weather stations are typically mounted at 30 ft high or more. Make sure to compare data using a sensor positioned at the same mounting height.• Check location of the sensor. Ensure it's mounted a minimum of 5 ft in the air with no obstructions around it (within several feet).• Ensure wind cups are spinning freely. If they hesitate or stop try lubricating with graphite powder or spray lubricant.
Display screen not working	<ul style="list-style-type: none">• Check that the batteries are installed correctly. Batteries may need to be replaced.• Reset the display by pressing the reset button, located on the back of the display unit. Date and time will need to be entered after a reset.

If your AcuRite product does not operate properly after trying the troubleshooting steps, visit www.AcuRite.com or call (877) 221-1252 for assistance.

Care & Maintenance

Display Unit Care

Clean with a soft, damp cloth. Do not use caustic cleaners or abrasives. Keep away from dust, dirt and moisture. Clean ventilation ports regularly with a gentle puff of air.

3-in-1 Sensor Care

Clean the Sensor

Clean with a soft, damp cloth. Do not use caustic cleaners or abrasives.

Insect Prevention

Insects may cause obstructions and interrupt data by nesting in or on the 3-in-1 sensor. To limit this problem, spray sensor with a household insect repellent. Consult the insect repellent instructions prior to use.

Snow & Freezing Weather

The 3-in-1 sensor will not be damaged by freezing conditions.

Clean the Wind Anemometer

Remove foreign matter from the outside of the sensor for free movement of the wind anemometer. If needed, use a small amount of spray lubricant, clear silicone or graphite powder on the anemometer for improved movement.

Specifications

TEMPERATURE RANGE	Outdoor: -40°F to 158°F; -40°C to 70°C
	Indoor: 32°F to 122°F; 0°C to 50°C
HUMIDITY RANGE	Outdoor: 1% to 99%
	Indoor: 16% to 98%
WIND SPEED	0 to 99 mph; 0 to 159 kph
WIRELESS RANGE	330 ft / 100 m depending on home construction materials
OPERATING FREQUENCY	433 mhz
POWER	7 x AA alkaline or lithium batteries (not included)
DATA REPORTING	Wind Speed: 18 second updates
	Outdoor temperature & humidity: 18 second updates
	Indoor temperature & humidity: 60 second updates

FCC Information

This device complies with part 15 of FCC rules. Operation is subject to the following two conditions:

1- This device may NOT cause harmful interference, and

2- This device must accept any interference received, including interference that may cause undesired operation.

This equipment has been tested and found to comply with the limits for a Class B digital device, pursuant to Part 15 of the FCC rules. These limits are designed to provide reasonable protection against harmful interference in a residential installation. This equipment generates, uses and can radiate radio frequency energy and, if not installed and used in accordance with the instructions, may cause harmful interference to radio communications. However, there is no guarantee that interference will not occur in a particular installation. If this equipment does cause harmful interference to radio or television reception, which can be determined by turning the equipment off and on, the user is encouraged to try to correct the interference by one or more of the following measures:

- Reorient or relocate the receiving antenna.
- Increase the separation between the equipment and the receiver.
- Connect the equipment into an outlet on a circuit different from that to which the receiver is connected.
- Consult the dealer or an experienced radio/TV technician for help.

NOTE: The manufacturer is not responsible for any radio or TV interference caused by unauthorized modifications to this equipment. Such modifications could void the user authority to operate the equipment.

Customer Support

AcuRite customer support is committed to providing you with best-in-class service. **For assistance**, please have the model number of this product available and contact us in any of the following ways:



(877) 221-1252



info@chaney-inst.com

24/7 support at www.AcuRite.com

- ▶ Installation Videos
- ▶ Register your Product
- ▶ Instruction Manuals
- ▶ Support User Forum
- ▶ Replacement Parts
- ▶ Submit Feedback & Ideas

IMPORTANT

PRODUCT MUST BE REGISTERED
TO RECEIVE WARRANTY SERVICE

PRODUCT REGISTRATION

Register online
to receive 1 year
warranty protection

www.AcuRite.com

UP NOW

SUPPORT

Support Forum

Archived Products

▶ Register a Product

Limited One Year Warranty

At AcuRite, we proudly uphold our commitment to quality technology. Chaney Instrument Co. warrants that all products it manufactures to be of good material and workmanship, and to be free of defects when properly installed and operated for a period of one year from the date of purchase.

We recommend that you visit us at www.AcuRite.com for the fastest way to register your product. However, product registration does not eliminate the need to retain your original proof of purchase in order to obtain warranty benefits.

Chaney Instrument Co. warrants that all products it manufactures to be of good material and workmanship, and to be free of defects when properly installed and operated for a period of one year from the date of purchase. Remedy for breach of this warranty is limited to repair or replacement of the defective item(s). Any product which, under normal use and service, is proven to breach the warranty contained herein within ONE YEAR from date of sale will, upon examination by Chaney, and at its sole option, be repaired or replaced by Chaney. Transportation costs and charges for returned goods shall be paid for by the purchaser. Chaney hereby disclaims all responsibility for such transportation costs and charges. This warranty will not be breached, and Chaney will give no credit for products

it manufactures which have received normal wear and tear, been damaged (including by acts of nature), tampered, abused, improperly installed, damaged in shipping, or repaired or altered by others than authorized representatives of Chaney.

The above-described warranty is expressly in lieu of all other warranties, express or implied, and all other warranties are hereby expressly disclaimed, including without limitation the implied warranty of merchantability and the implied warranty of fitness for a particular purpose. Chaney expressly disclaims all liability for special, consequential or incidental damages, whether arising in tort or by contract from any breach of this warranty. Some states do not allow the exclusion or limitation of incidental or consequential damages, so the above limitation or exclusion may not apply to you. Chaney further disclaims all liability from personal injury relating to its products to the extent permitted by law. By acceptance of any of Chaney's products, the purchaser assumes all liability for the consequences arising from their use or misuse. No person, firm or corporation is authorized to assume for Chaney any other liability in connection with the sale of its products. Furthermore, no person, firm or corporation is authorized to modify or waive the terms of this paragraph, and the preceding paragraph, unless done in writing and signed by a duly authorized agent of Chaney. This warranty gives you specific legal rights, and you may also have other rights which vary from state to state.

For in-warranty claims:

Chaney Instrument Co. | 965 Wells St. | Lake Geneva, WI 53147

ACURITE®



Weather
Stations



Temperature
& Humidity



Weather
Alert Radio



Kitchen
Thermometers
& Timers



Clocks

It's more than accurate, it's ACURITE®.

AcuRite offers an extensive assortment of precision instruments,
designed to provide you with information you can depend on to
Plan your day with confidence™.

www.AcuRite.com