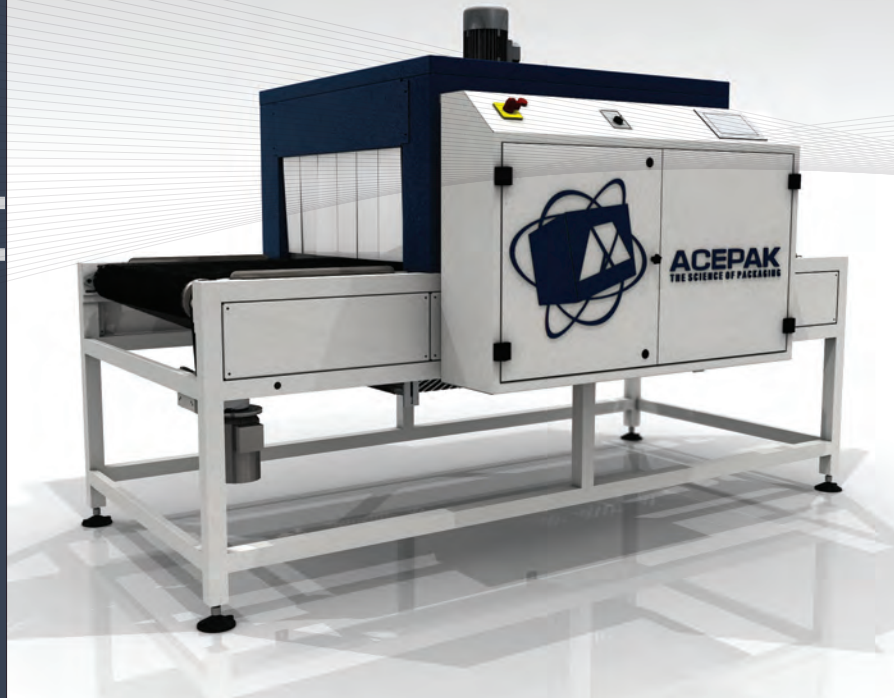
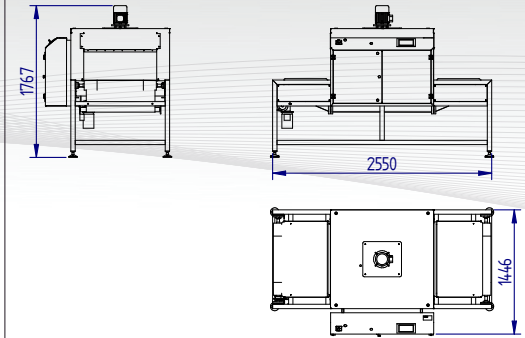


Metro TE – stand alone tunnel



DIMENSIONS



MACHINE SIZES (Seal Width x Height)

- 450mm x 360mm
- 650mm x 460mm
- 850mm x 460mm
- 1050mm x 460mm

*Custom sizes up to 2500mm
Power rating from 18kw up to 54kw*

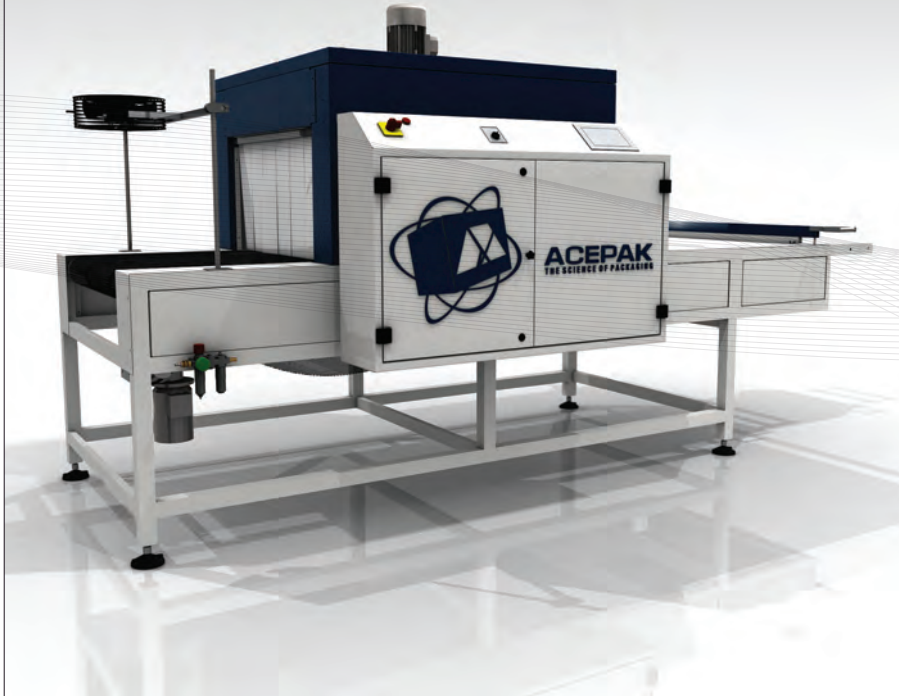
SPECIFICATIONS

SIMPLE STAND ALONE TUNNEL TO BE USED IN CONJUNCTION WITH VARIOUS TYPES OF SPECIALISED SEALERS SIZE.
SPEED DEPENDENT ON APPLICATION

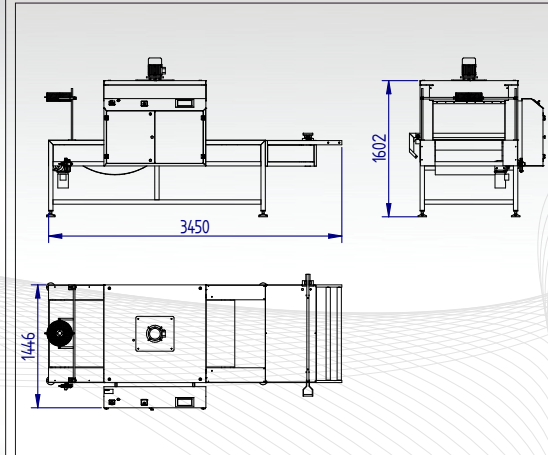
OPTIONS

- Tunnel height up to 1200mm
- Tunnel length up to 4000mm
- **Belt type I** Metal Mesh | Plastic module | Rollers
- Aftercooling fans

Metro BS – bar sealer



DIMENSIONS



MACHINE SIZES (Seal Width x Height)

- 450mm x 360mm
- 650mm x 460mm
- 850mm x 460mm
- 1050mm x 460mm

Custom sizes on request

Power rating from 18kw up to 54kw

SPECIFICATIONS

ENTRY LEVEL WRAPPER WITH PIVOT BAR SEALER , FLEXIBLE AND SIMPLE IN OPERATION SUITED TO A WIDE VARIETY OF PRODUCTS

Speed (pack dependent) 2-3 packs per minute | 2,5mm seal with hot cut | Single film roll holder

OPTIONS

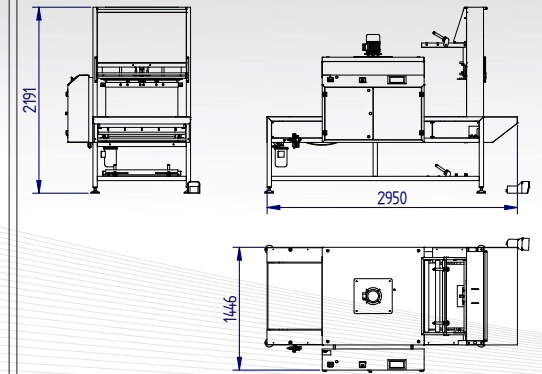
- Belt type | Metal Mesh | Plastic module | Rollers
- Aftercooling fans



Metro PM – Pneumatic sleeve sealer



DIMENSIONS



MACHINE SIZES (Seal Width x Height)

- 450 x 360mm
- 650 x 460mm
- 850 x 460mm
- 1050 x 460mm

Custom sizes on request

Power rating from 18kw up to 54kw

SPECIFICATIONS

ENTRY LEVEL MANUAL SLEEVE SEALER FOR WRAPPING OF LOOSE PRODUCT AND TRAYS.

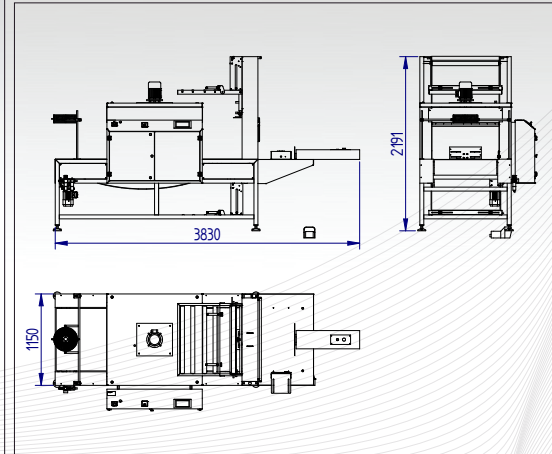
Speed (pack dependent) 4 - 6 packs per minute | 2,5mm seal with hot cut | Top and bottom film roll holders

OPTIONS

- **Belt type** | Metal Mesh | Plastic module | Rollers
- Product guides on deck
- Loading jigs
- Aftercooling fans

Metro PA – Semi-automatic sleeve sealer

DIMENSIONS



MACHINE SIZES (Seal Width x Height)

- 450mm x 360mm
- 650mm x 460mm
- 850mm x 460mm
- 1050mm x 460mm

Custom sizes on request

Power rating from 18kw up to 54kw

SPECIFICATIONS

SEMI AUTOMATIC SLEEVE SEALER WITH PNEUMATIC RAM PUSHER. SUITED TO RUNNING LOOSE PRODUCT, TRAYS AND STACKED PRODUCT.

Speed (pack dependant), 10-12 packs per minute | 2,5mm seal with hot cut | Top and bottom film roll holder | Product pack clamp
Adjustable pusher face with guides | Automatic film feed | Striker plate | footswitch activation | Automatic Film Feeds | Pack Cooling Fans

OPTIONS

- **Belt type I** Metal Mesh | Plastic module | Rollers
- Product guides on deck
- Stop/Start Tunnel Conveyor
- Post Seal Bar guides

