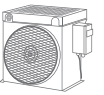


# RAS 3000



## PURCHASE CODES

RAS 3000 without thermo-switch	<b>3RRAS3000</b>
RAS 3000 with thermo-switch	<b>3RRAS3000T</b>

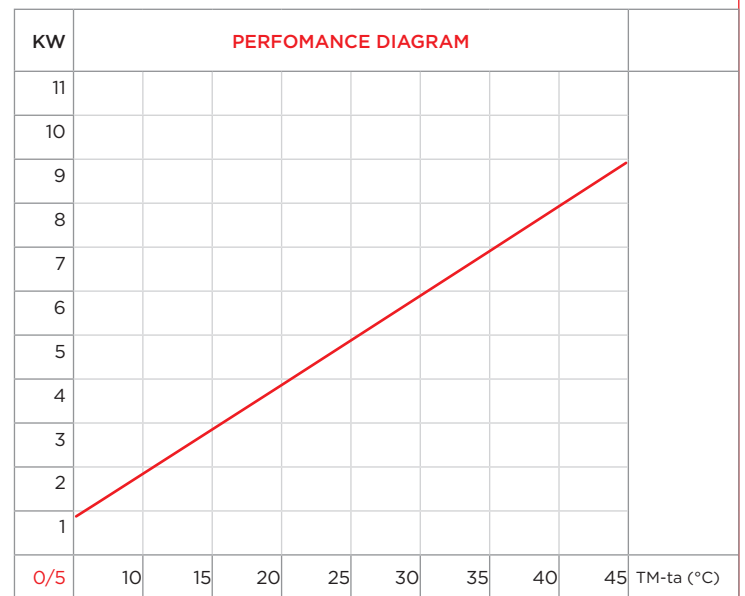
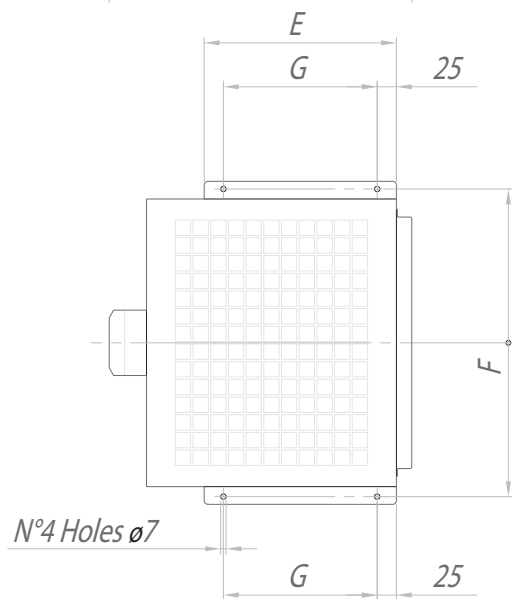
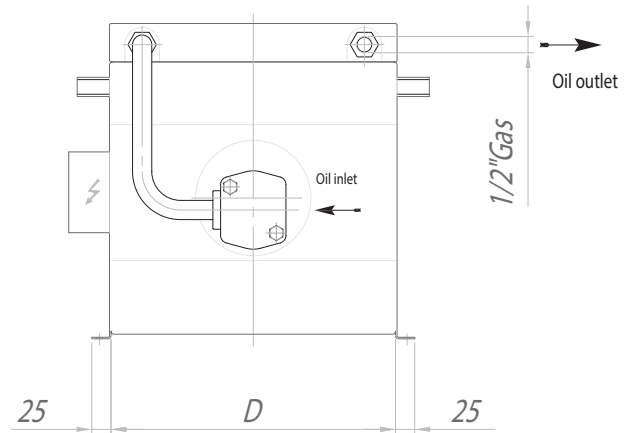
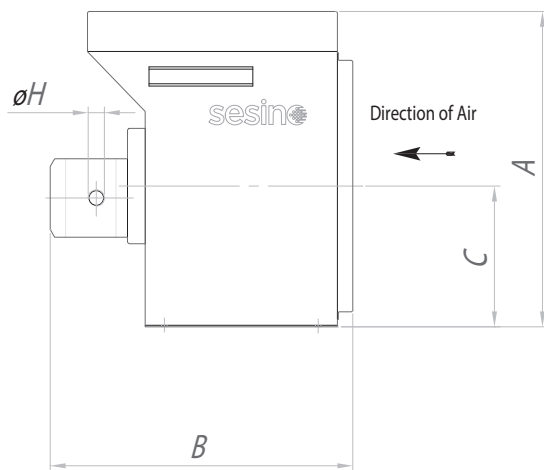
## SPARE PARTS

Electronic thermo-switch	1TRM RAS
2m thermo-switch probe	1SND RAS
4m thermo-switch probe	1SND ROC4M
Oil filter	1FTR MPS50
Electric junction box	1CSSDSAR336
Cooling element	1RONO1
Cooling element protection grill	3TLPRAS3000.1
Housing	3TLRAS3000.1
Fan	1GRAS3000
Fan grill	3RTRAS3000.1
Pump	1PORAS3000
Electric motor	1MRAS3000

## DIMENSIONS

A	B	C	D	E	F	G
410	395	193	370	250	400	200

- Dimensions and technical characteristics are not binding



OIL FLOW	VOLTAGE		HZ	POWER	CURRENT	ELECTRICAL PROTECTION	AIR FLOW	NOISE LEVEL	WEIGHT
l/min	Δ	Y		W	A	IP	m³/h	dB(A)	kg
13	220-240	380-420	50	550	2,80-1,60	55	850	68	24
13	254-480	440-480	60	640	2,80-1,60	55	850	68	24