

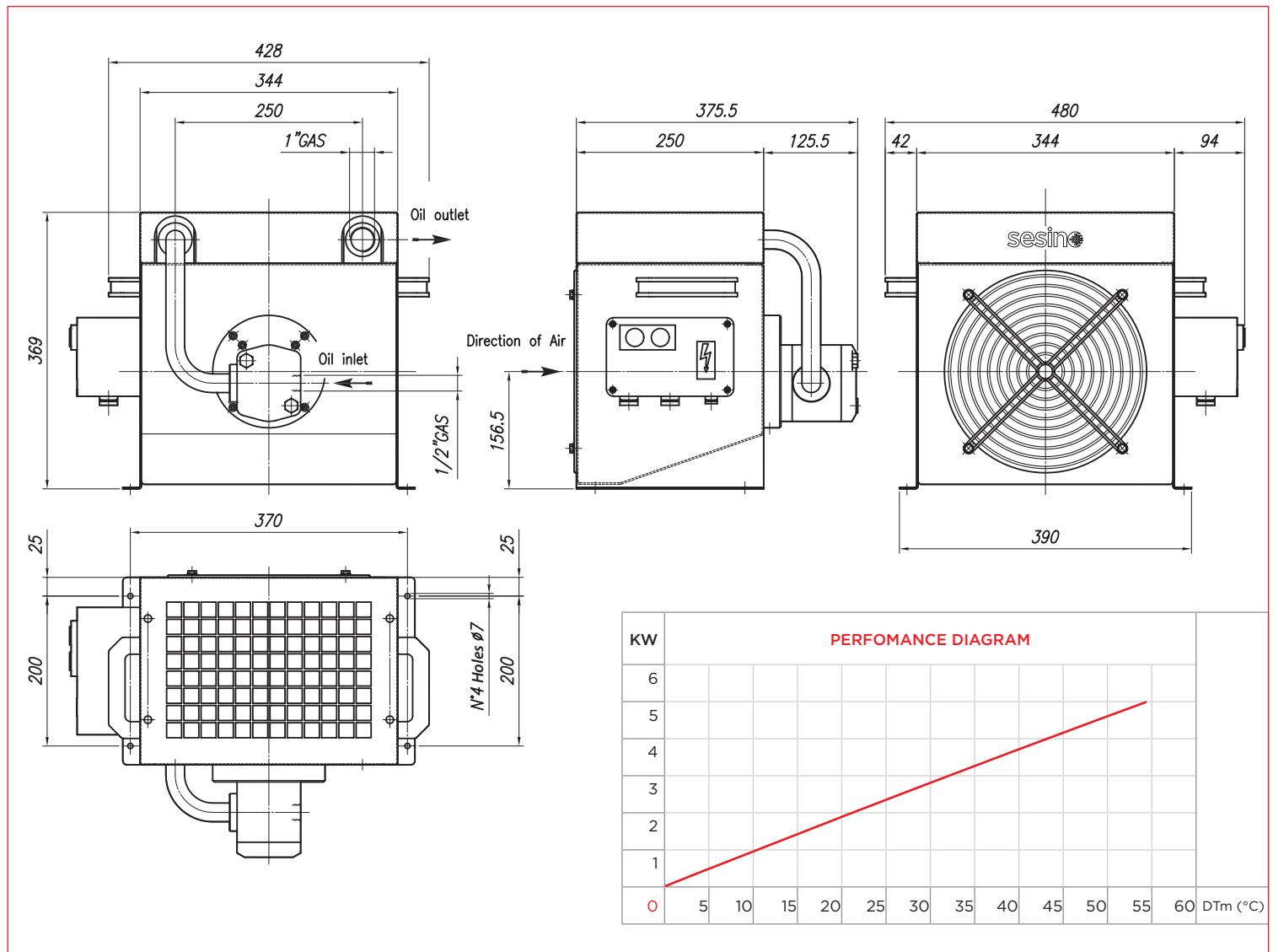
PURCHASE CODES

RAS 1000 without thermo-switch	3RRAS1000
RAS 1000 with thermo-switch	3RRAS1000T

SPARE PARTS

Electronic thermo-switch	1TRM RAS
2m thermo-switch probe	1SND RAS
4m thermo-switch probe	1SND ROC4M
Oil filter	1FTR MPS50
Electric junction box	1CSSDSAR336
Cooling element	1RO03378
Cooling element protection grill	3TLPRAS1000.1
Housing	3TLRAS1000.1
Fan	1GRAS1000
Fan grill	3RTRAS1000.1
Pump	1PORAS3000
Electric motor	1MRAS3000

- Dimensions and technical characteristics are not binding



OIL FLOW	VOLTAGE		HZ	POWER	CURRENT	ELECTRICAL PROTECTION	AIR FLOW	NOISE LEVEL	WEIGHT
l/min	Δ	Y		W	A	IP	m³/h	dB(A)	kg
13	220-240	380-420	50	550	2,80-1,60	55	850	68	18
13	254-280	440-480	60	640	2,80-1,60	55	850	68	18