

AP 2/680 I

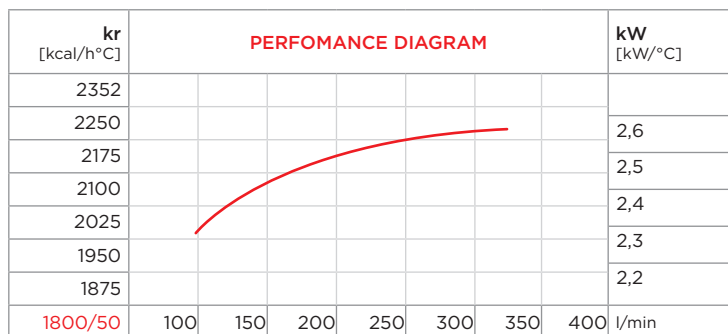


PURCHASE CODES

AP 2/680 I with hydraulic motor	3RAP2/68011A
AP 2/680 I prepared	3RAP2/68014A

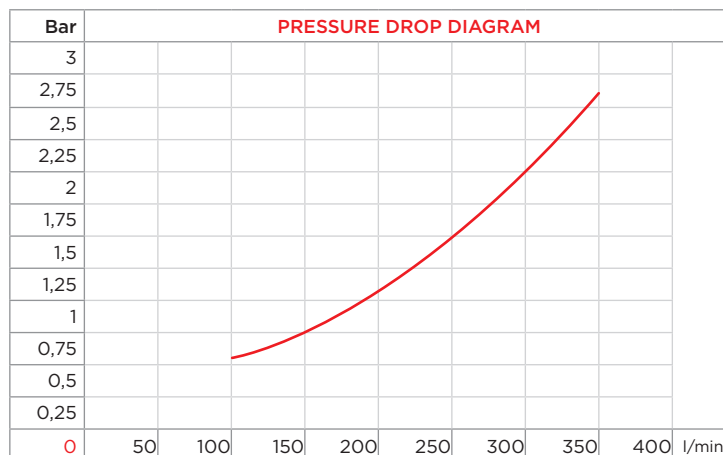
SPARE PARTS

Frame	3CNAP2/6800.1
Shock isolating mounting (4 pcs)	3KIT4232
Electric junction box	1CSSDSAREL
Cooling element	1RO01339
Electric fan	1G680I
Hydraulic motor	1MO2/M16
Thermo-switch 60-49 IP 65	1TRM60-49
Thermo-switch 47-36 IP 65	1TRM47-36
Fan Grill	1RTAP680I

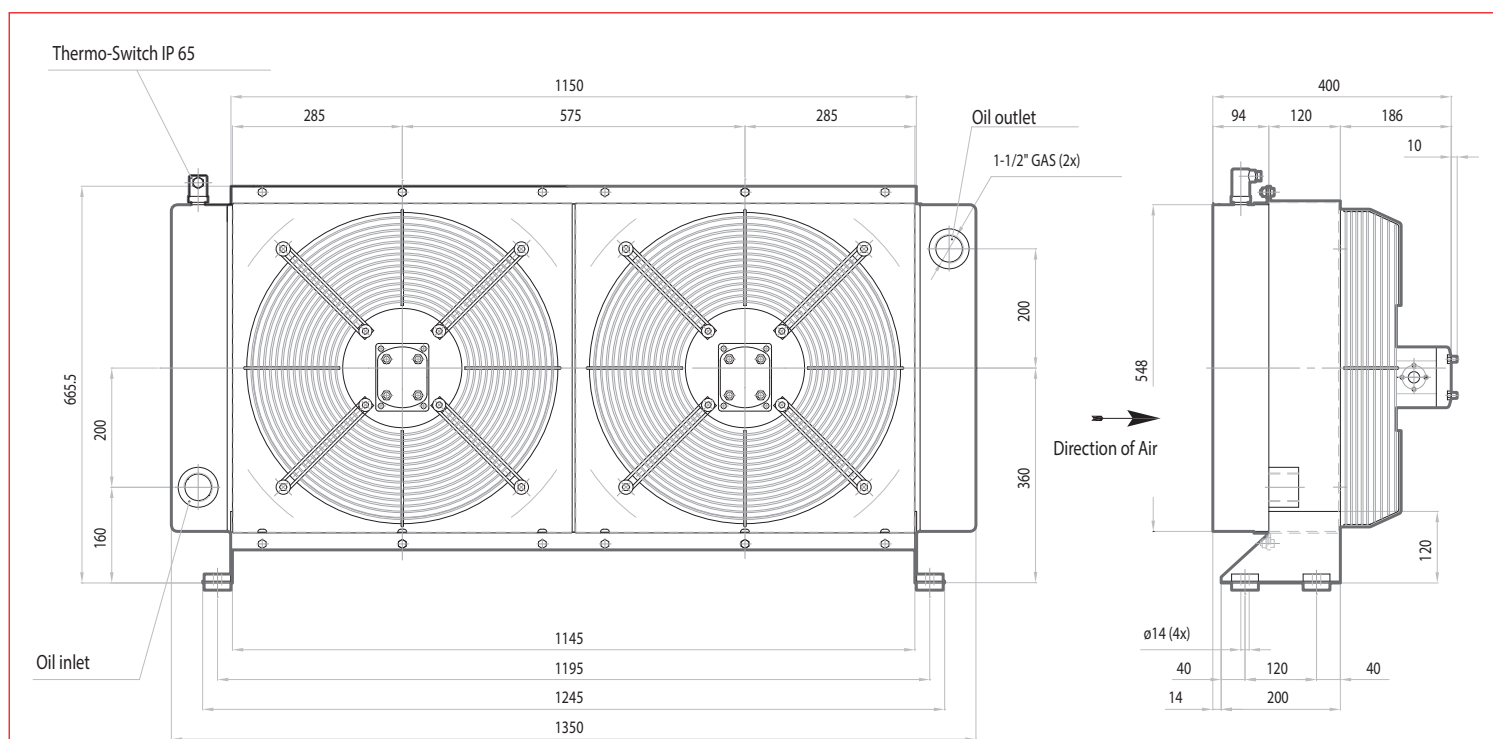


CORRECTION FACTOR

cSt	22	30	46	68	100	150	220
f	0,6	1	1,5	2,3	3,5	5	7



- Dimensions and technical characteristics are not binding



OIL FLOW	FAN SPEED	POWER	DISPLACEMENT	MOTOR FLOW	AIR FLOW	NOISE LEVEL	WEIGHT	CAPACITY	Ø FAN
l/min	rpm	W	cc/r	l/min	m³/h	dB(A)	kg	lt.	mm
100-300	2x1.450	2x750	2x11,3	2x17	2x10.000	82	100	28	2x500