

# AP 830 I

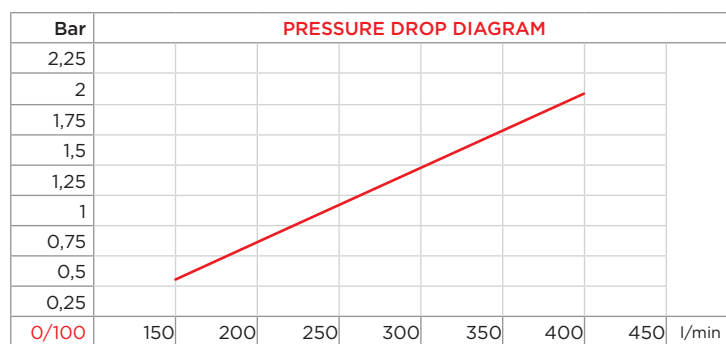
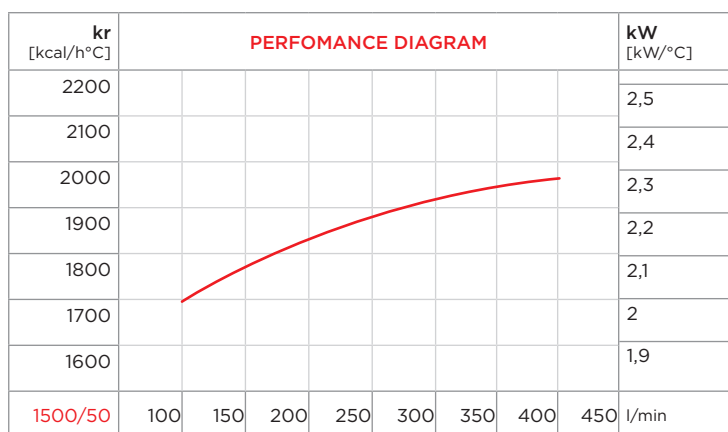


## PURCHASE CODES

AP 830 I with hydraulic motor	<b>3RAP830I2A</b>
AP 830 I prepared	<b>3RAP830I4A</b>

## SPARE PARTS

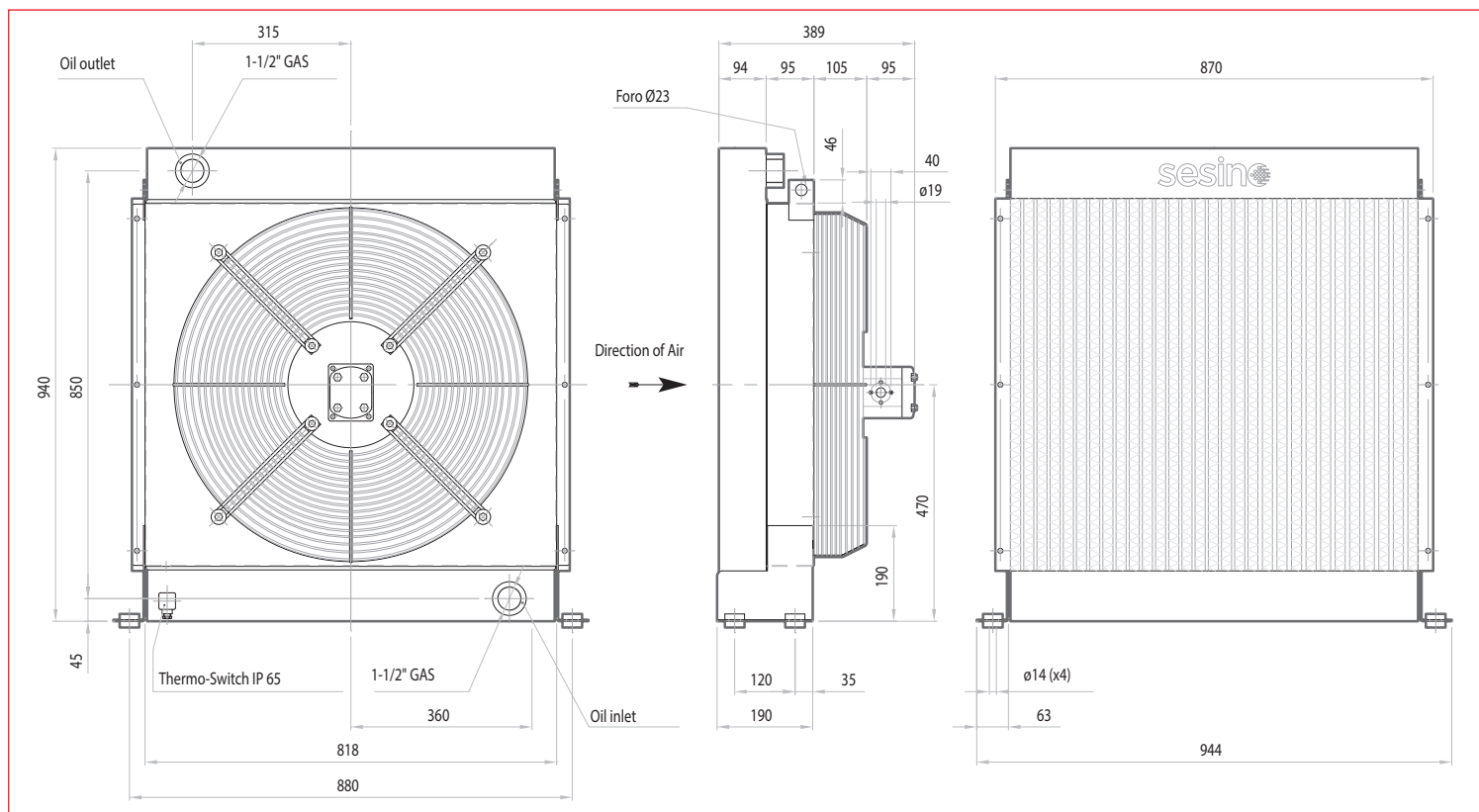
Frame	3CNAP830IA.1
Shock isolating mounting (4 pcs)	3KIT4232
Electric junction box	1CSSDSAREL
Cooling element	3RNAP830E
Electric fan	1G830I
Hydraulic motor	1MO2/M25
Thermo-switch 60-49 IP 65	1TRM60-49
Thermo-switch 47-36 IP 65	1TRM47-36
Fan Grill	1RTAP830I



**CORRECTION FACTOR**

cSt	22	30	46	68	100	150	220
f	0,6	1	1,5	2,3	3,5	5	7

- Dimensions and technical characteristics are not binding



OIL FLOW	FAN SPEED	POWER	DISPLACEMENT	MOTOR FLOW	AIR FLOW	NOISE LEVEL	WEIGHT	CAPACITY	Ø FAN
l/min	rpm	W	cc/r	l/min	m³/h	dB(A)	kg	lt.	mm
150-400	1.300	1.300	17,5	23	15.000	82	74,5	20	680